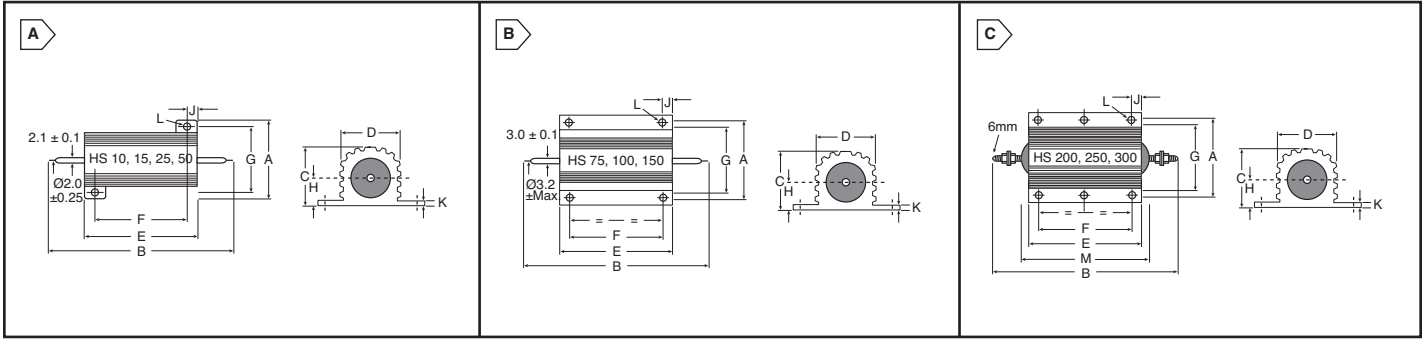


# ARCOL Aluminum Housed Wirewound Power Resistors - 10 W to 300 W

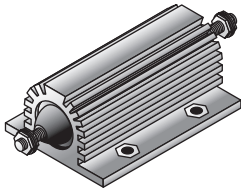


Power Resistors  
Arcol



Arcol Type	Fig.	Dimensions: mm												
		A max.	B max.	C max.	D max.	E max.	F ± 0.3	G ± 0.3	H max.	J max.	K max.	L ± 0.25 †	M max.	
HS10	A	16.5	30.0	8.8	8.5	15.9	11.3	12.4	4.5	2.4	1.8	2.4	---	
HS15	A	21.0	36.5	11.0	11.2	19.9	14.3	15.9	5.5	2.8	1.8	2.4	---	
HS25	A	28.0	51.0	14.6	14.0	27.3	18.3	19.8	7.3	4.7	2.6	3.2	---	
HS50	A	29.7	72.5	14.8	14.2	49.1	39.7	21.4	8.5	5.2	2.6	3.2	---	
HS75	B	47.5	72.0	24.1	27.3	48.7	29.0	37.0	11.8	10.4	3.7	4.4	---	
HS100	B	47.5	88.0	24.1	27.3	65.2	35.0	37.0	11.8	15.4	3.7	4.4	---	
HS150	B	47.5	121.0	24.1	27.3	97.7	58.0	37.0	11.8	20.4	3.7	4.4	---	
HS200	C	72.5	145.7	41.8	45.5	89.7	70.0	57.2	20.0	10.4	5.5	5.1	103.4	
HS250	C	72.5	167.0	41.8	45.5	109.7	89.0	57.2	20.0	10.4	5.5	5.1	122.4	
HS300	C	72.5	184.4	41.8	45.5	127.7	104.0	59.0	20.0	10.4	5.5	6.6	141.4	

200 ~ 300 Watts is ± .45



0.1	0.68	4.0	22	68	470	3.3K
0.15	0.82	4.7	25	75	500	4.7K
0.22	1.0	5.0	27	100	560	5K
0.27	1.5	8.0	30	120	680	10K
0.33	2.0	7.5	33	150	1K	20K
0.47	2.2	10	40	200	1.5K	25K
0.5	2.7	15	47	220	2K	50K
0.51	3.0	16	50	250	2.2K	
0.56	3.3	20	56	330	3K	

**Features:**

- Anodized aluminum housing ensures good humidity seal
- Designed for chassis or heat-sink mounting for maximum heat dissipation
- Terminations are silver plated
- Solder, cable, threaded, or fast-on terminations
- High level voltage protection
- Standard terminations: 10-150 watt solder terminations; 200-300 watt threaded terminations.
- Non-standard ohmic values available.

**Specifications:**

- Insulation resistance: 10 GΩ
- Dielectric strength: 1000VAC peak (10-15W); 2500VAC (25-50W); 5000VAC (100-300W)
- Resistant element: copper-nickel alloy, or nickel chrome alloy
- Housing: anodized aluminum
- Core material: ceramic steatite
- Low inductance and special terminations available
- NHS - Low inductance series
- ISO 9001 (1994)
- Transfer molding process insures a good humidity seal and permanent compression fit of the concentric resistive element.

**Heat Dissipation:**

While the use of proprietary heat sinks with lower thermal resistance is acceptable, uprating is not recommended. For maximum heat transfer it is recommended that a heat sink compound be applied between the resistor base and heat sink/chassis mounting surface. It is essential that the maximum hot spot temperature of 200°C is not exceeded and therefore the resistor must be mounted on a heat sink of correct thermal resistance for the power being dissipated.

**Maximum Overload:**

Please consult the factory for assistance concerning your particular overload application.

**Inductive Series**

- Tolerance: 1% (1Ω or higher); 5% (less than 1Ω)



LEAD-FREE RoHS Compliant

For quantities of 100 and up, call for quote.

MOUSER STOCK NO.	Fig.	Wattage Rating (Heat Sink Mounted)	Stocked Values (Ω)	Price Each			
				1	10	25	50
<a href="#">284-HS10-Value</a>	A	10 watt 5%	0.1-0.82	3.04	2.58	2.48	2.10
<a href="#">284-HS10-(Value)F</a>	A	10 watt 1%	1.0-5K	2.31	2.18	2.05	1.91
<a href="#">284-HS15-Value</a>	A	15 watt 5%	0.1-0.82	2.99	2.40	1.96	1.64
<a href="#">284-HS15-(Value)F</a>	A	15 watt 1%	1.0-2K 3K-5K	2.32 2.45	2.10 2.24	1.94 2.05	1.79 1.86
<a href="#">284-HS25-Value</a>	A	25 watt 5%	0.1-0.82	3.35	3.03	2.39	2.02
<a href="#">284-HS25-(Value)F</a>	A	25 watt 1%	1.0-2K 3K-25K	2.85 3.01	2.51 2.67	2.18 2.34	1.99 2.19
<a href="#">284-HS50-Value</a>	A	50 watt 5%	0.1-0.82	4.70	4.31	3.98	3.51
<a href="#">284-HS50-(Value)F</a>	A	50 watt 1%	1.0-5K 10K-50K	3.19 3.41	3.13 3.30	2.90 3.06	2.61 2.75
<a href="#">284-HS75-Value</a>	B	75 Watt 5%	0.1, 0.47, 0.5	12.15	11.54	10.96	10.42
<a href="#">284-HS75-(Value)F</a>	B	75 Watt 1%	1.0-220 330-1K	11.91 12.03	11.31 11.42	10.74 10.86	10.20 10.31
<a href="#">284-HS100-Value</a>	B	100 watt 5%	0.1-0.82	15.61	14.70	13.46	11.96
<a href="#">284-HS100-(Value)F</a>	B	100 watt 1%	1.0-330 470-50K	12.22 13.45	12.00 13.21	11.12 12.23	10.01 11.01
<a href="#">284-HS150-Value</a>	B	150 Watt 5%	0.1, 0.47, 0.5	15.04	14.29	13.57	12.89
<a href="#">284-HS150-(Value)F</a>	B	150 Watt 1%	1.0-680 1K	15.79 17.06	15.00 16.21	14.25 15.40	13.54 14.62
<a href="#">284-HS200-(Value)F</a>	C	200 watt 1%	1.0-680 1K-5K 10K	45.61 46.51 47.00	41.47 42.28 46.00	37.70 38.44 44.00	34.27 34.94 42.00
<a href="#">284-HS250-(Value)F</a>	C	250 watt 1%	1.0-680 1K-10K	51.55 52.08	46.85 47.34	42.60 43.04	38.73 39.13
<a href="#">284-HS300-(Value)F</a>	C	300 watt 1%	1.0-1K 1.5K-10K	61.33 61.94	55.76 56.31	50.69 51.19	46.08 46.54

**Non-Inductive Series**

- Tolerance: 1% (1Ω or higher); 5% (less than 1Ω)



LEAD-FREE RoHS Compliant

For quantities of 100 and up, call for quote.

MOUSER STOCK NO.	Fig.	Wattage Rating (Heat Sink Mounted)	Stocked Values (Ω)	Price Each			
				1	10	25	50
<a href="#">284-NHS100-(Value)F</a>	C	100 watt 1%	2.0, 4.0, 8.0, 16, 50	25.65	22.18	20.51	19.22
<a href="#">284-NHS200-(Value)F</a>	C	200 watt 1%	2.0, 4.0, 8.0, 16, 50	55.54	49.98	44.83	41.63
<a href="#">284-NHS300-(Value)F</a>	C	300 watt 1%	2.0, 4.0, 8.0, 16, 50	84.25	75.82	68.04	61.13

