

# VISHAY / DALE 2% Thick Film Resistor Networks

## MDP SERIES - MOLDED DIP RESISTOR NETWORKS

**Features:**

- Dual-in-line, molded DIP
- .160" [4.06mm] maximum seated height
- Rugged, molded case construction
- Low temperature coefficient (-55°C to +125°C) ±100PPM/°C

**Electrical Specifications:**

- Tolerance: ±2% standard
- Temperature coefficient: -55°C to +125°C



RoHS Compliant

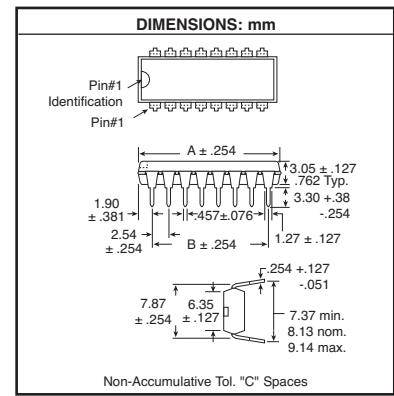
**4 Digit Resistance Value Chart** = First 3 digits are significant figures and the last digit specifies the number of zeroes to follow. Example: 1002 = 10K, 10R0 = 10 ohm

| MOUSER STOCK NO.      | Fig. | No. of Pins | Price Each |     |     |     |
|-----------------------|------|-------------|------------|-----|-----|-----|
|                       |      |             | 1          | 25  | 100 | 200 |
| 71-MDP1401(Value)GE04 | A    | 14          | .56        | .52 | .45 | .39 |
| 71-MDP1403(Value)GE04 | A    | 16          | .56        | .52 | .45 | .39 |
| 71-MDP1601(Value)GE04 | B    | 14          | .56        | .52 | .45 | .39 |
| 71-MDP1603(Value)GE04 | B    | 16          | .56        | .52 | .45 | .39 |



| TYPE  | Dim. A (mm) | Dim. B (mm) | C |
|-------|-------------|-------------|---|
| MDP14 | 19.05       | 15.24       | 6 |
| MDP16 | 21.59       | 17.78       | 7 |

| Resistance Value Chart (Ω) |     |      |      |      |      |
|----------------------------|-----|------|------|------|------|
| 22                         | 150 | 1K   | 5.6K | 39K  | 330K |
| 27                         | 180 | 1.2K | 6.8K | 47K  | 390K |
| 33                         | 200 | 1.5K | 8.2K | 51K  | 470K |
| 39                         | 220 | 1.8K | 10K  | 68K  | 510K |
| 47                         | 270 | 2K   | 12K  | 82K  | 560K |
| 51                         | 330 | 2.2K | 15K  | 100K | 680K |
| 56                         | 390 | 2.7K | 18K  | 120K | 820K |
| 68                         | 470 | 3.3K | 20K  | 150K | 1M   |
| 82                         | 510 | 3.9K | 22K  | 180K |      |
| 100                        | 560 | 4.7K | 27K  | 200K |      |
| 120                        | 680 | 5.1K | 33K  | 220K |      |



Networks / Arrays

## SOMC SERIES - MOLDED, SURFACE MOUNT COMPATIBLE

**Features:**

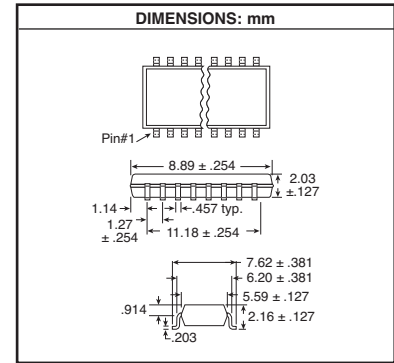
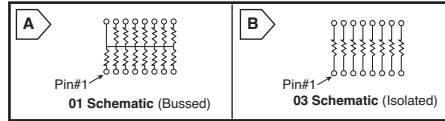
- .050" [1.27mm] lead spacing
- .090" [2.29mm] maximum seated height
- Highly stable thick film
- Low temperature coefficient (-55°C to +125°C) ±100PPM/°C
- Reduces total assembly costs
- Wide resistance range available
- Uniform performance characteristics
- Meets EIA PDP100, SOGN-0002 outline dimensions

**Electrical Specifications:**

- Resistance range: 10 ohm to 1 Megohm standard. Zero ohm jumpers available.
- Tolerance: ±1%, ±5%, ±10%, ±20% available.
- Temperature coefficient: (-55°C to +125°C) ±100PPM/°C typical
- Resistor power rating: 70°C max.
- 01 Schematics = .080W; 03 Schematic = .160W
- Operating temperature range: -55°C to +125°C

Available in 14 and 20 pin style, additional resistance values, in isolated and bussed styles.

| MOUSER STOCK NO.  | Fig. | No. of Pins | Values (Ω)   | Price Each |     |     |     |     |
|-------------------|------|-------------|--|------------|-----|-----|-----|-----|
|                   |      |             |  | 1          | 50  | 100 | 200 | 500 |
| 71-SOMC1601-Value | A    | 16          | 22, 470, 1K, 2.2K, 4.7K, 6.8K, 10K, 22K, 47K, 100K   | .61        | .38 | .34 | .30 | .29 |
| 71-SOMC1603-Value | B    | 16          | 22, 33, 47, 100, 220, 330, 1K, 2.2K, 4.7K, 10K, 100K | .61        | .38 | .34 | .30 | .29 |



# VISHAY / DALE 2% SIP Thick Film Resistor Networks

## CSC SERIES - 2% CONFORMAL COATED SIP RESISTOR NETWORKS

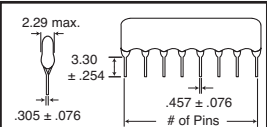
**Features:**

- .195 (4.95mm) "A"
- "A" profile standard in 6 thru 10 pins

**Specifications:**

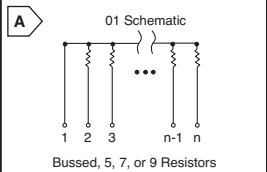
- Operating temperature range: -55°C to +125°C
- Temperature coefficient of resistance: (-55°C to +125°C) ±100ppm/°C typical
- Operating voltage: 100VDC max.
- Resistor power rating: (max. @ +70°C) fig. A .125W, fig. B .20W

**DIMENSIONS: mm**



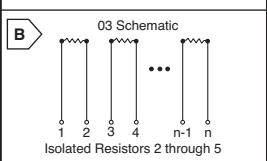
**Bussed / One Pin Common Configuration**

| MOUSER STOCK NO.  | Fig. | Value (Ω)   | Power Dissipation |                   | No. of Pins (N) | No. of Res. | Price Each |     |     |     |                |
|-------------------|------|---|-------------------|-------------------|-----------------|-------------|------------|-----|-----|-----|----------------|
|                   |      |   | Per Circuit       | Total Pkg. (Max.) |                 |             | 1          | 100 | 200 | 500 | 1000+          |
| 71-CSC06A01-Value | A    | 220, 330, 560, 680, 1.0K, 1.5K, 2.2K, 3.3K, 4.7K, 6.8K, 10K, 22K, 47K, 56K, 100K, 220K, 330K, 1.0M              | .125              | .75               | 6               | 5           | .42        | .34 | .27 | .25 | Call For Quote |
| 71-CSC08A01-Value | A    | 330, 470, 1.0K, 2.2K, 3.3K, 4.7K, 10K, 22K, 33K, 47K, 100K  | .125              | 1                 | 8               | 7           | .44        | .35 | .28 | .26 |                |
| 71-CSC10A01-Value | A    | 100, 150, 200, 220, 330, 470, 560, 1.0K, 1.5K, 2.2K, 3.3K, 4.7K, 10K, 20K, 22K, 33K, 47K, 56K, 100K, 470K, 1.0M | .125              | 1.25              | 10              | 9           | .46        | .37 | .29 | .27 |                |



**Isolated Configuration**

| MOUSER STOCK NO.  | Fig. | Value (Ω)  | Power Dissipation |                   | No. of Pins (N) | No. of Res. | Price Each |     |     |     |                |
|-------------------|------|--|-------------------|-------------------|-----------------|-------------|------------|-----|-----|-----|----------------|
|                   |      |  | Per Circuit       | Total Pkg. (Max.) |                 |             | 1          | 100 | 200 | 500 | 1000+          |
| 71-CSC06A03-Value | B    | 100, 150, 220, 470, 1.0K, 2.2K, 4.7K, 10K, 100K  | .2                | .75               | 6               | 3           | .42        | .34 | .27 | .25 | Call For Quote |
| 71-CSC08A03-Value | B    | 47, 100, 150, 220, 330, 470, 680, 1.0K, 1.5K, 2.2K, 3.3K, 4.7K, 10K, 22K, 47K, 68K, 100K, 150K, 200K, 470K | .2                | 1                 | 8               | 4           | .44        | .35 | .28 | .26 |                |
| 71-CSC10A03-Value | B    | 22, 47, 100, 220, 470, 1.0K, 3.3K, 4.7K, 5.6K, 10K, 100K, 1.0M   | .2                | 1.25              | 10              | 5           | .46        | .37 | .29 | .27 |                |



## XICON 2% SIP Thick Film Power Resistor Networks - 1/8W



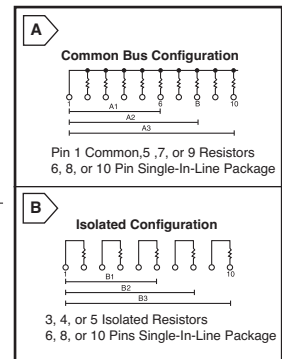
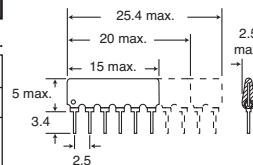
**Specifications:**

- Resistance range: 10Ω to 1MΩ
- Resistance tolerance: ±2%
- Temperature coefficient: 100ppm/°C
- Power rating: 1/8W per resistor
- Operating temperature range: -55°C to +125°C
- Solderability: per MIL-R-83401

Other Values Available Upon Request

| TABLE OF STANDARD VALUES |     |     |      |      |      |     |      |      |  |  |
|--------------------------|-----|-----|------|------|------|-----|------|------|--|--|
| 10                       | 56  | 220 | 680  | 2.2K | 6.8K | 22K | 82K  | 330K |  |  |
| 22                       | 68  | 270 | 820  | 2.7K | 8.2K | 27K | 100K | 390K |  |  |
| 27                       | 82  | 330 | 1.0K | 3.3K | 10K  | 33K | 120K | 470K |  |  |
| 33                       | 100 | 390 | 1.2K | 3.9K | 12K  | 39K | 150K | 560K |  |  |
| 39                       | 120 | 470 | 1.5K | 4.7K | 15K  | 47K | 180K | 680K |  |  |
| 47                       | 150 | 510 | 1.8K | 5.1K | 18K  | 56K | 220K | 820K |  |  |
| 51                       | 180 | 560 | 2.0K | 5.6K | 20K  | 68K | 270K | 1M   |  |  |

RoHS Compliant  
DIMENSIONS: mm  
MIL-R-83401



For quantities 5,000 and up, call for quote.

| MOUSER STOCK NO. | Fig. | No. of Pins (N) | No. of Res. | Price Each |     |     |      |      |
|------------------|------|-----------------|-------------|------------|-----|-----|------|------|
|                  |      |                 |             | 1          | 100 | 500 | 1000 | 2000 |
| 264-Value-RC     | A1   | 6               | 5           | .15        | .09 | .08 | .075 | .06  |
| 265-Value-RC     | A2   | 8               | 7           | .20        | .13 | .12 | .11  | .088 |
| 266-Value-RC     | A3   | 9               | 9           | .25        | .17 | .15 | .14  | .112 |
| 267-Value-RC     | B1   | 6               | 3           | .15        | .09 | .08 | .075 | .06  |
| 268-Value-RC     | B2   | 8               | 4           | .20        | .13 | .12 | .11  | .088 |
| 269-Value-RC     | B3   | 10              | 5           | .25        | .17 | .15 | .14  | .112 |

