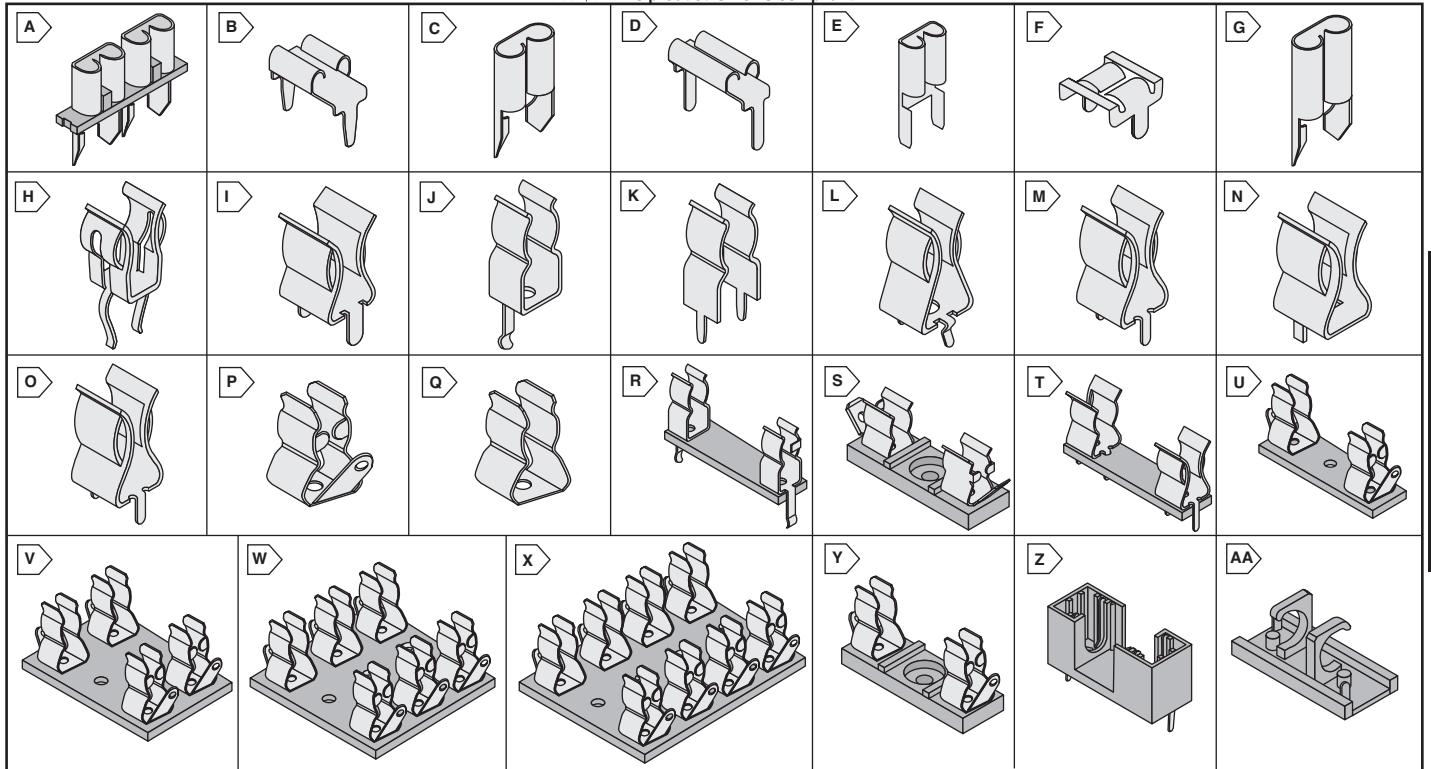


# KEYSTONE Fuse Holders, Fuse Clips and Blocks



RoHS Compliant This product is RoHS compliant.



Fuses & Fuse Holders  
Keystone

## KEYSTONE FUSE HOLDERS AND CLIPS

### PC Fuse Holders and Clips

- Auto blade holders and clips are compatible with Littelfuse .205" x .025" standard and .110" x .032" mini blade fuses, suitable for 15 amp applications
- Thru hole PC mountable
- .312" x .032" maxi blade fuses, suitable for 30 amp applications



RoHS Compliant

For quantities of 2000 and up, call for quote.

MOUSER STOCK NO.	Keystone Part No.	Fig.	Mount Type	Fuse Size	Description	Price Each			
						1	100	500	1000
534-3522-2	3522-2	A	Vertical	.205" x .025"	Standard blade fuse holder	.74	.42	.39	.35
534-3550	3550	B	Horizontal	.205" x .025"	Standard blade horiz. clip	.62	.31	.27	.19
534-3546	3546	B	Horizontal	.205" x .020"	Standard blade horiz. clip	.60	.34	.29	.18
534-3522	3522	C	Vertical	.205" x .025"	Standard blade vertical clip	.20	.10	.07	.06
534-3544-2	3544-2	A	Vertical	.110" x .032"	Mini blade fuse holder	.78	.44	.40	.35
534-3549	3549	D	Horizontal	.110" x .032"	Mini blade horizontal clip	.60	.30	.24	.18
534-3545	3545	D	Horizontal	.110" x .020"	Mini blade horizontal clip	.51	.29	.27	.18
534-3544	3544	E	Vertical	.110" x .032"	Mini blade vertical clip	.20	.12	.09	.08
534-3547	3547	B	Horizontal	.250" x .032"	Standard blade horiz. clip	.60	.32	.26	.18
534-3564	3564	F	Vertical	.110" x .032"	Mini blade vertical clip	.22	.12	.10	.09
534-3534	3534	E	Vertical	.110" x .020"	Mini blade vertical clip	.19	.13	.10	.08
534-3555	3555	G	Vertical	.312" x .032"	Maxi blade vertical clip	.15	.11	.10	.09

### PC Fuse Clips

- Snap-fit and press fit designs for wave soldering
- Rivet mount design
- Economical and easy to assemble
- Low profile space saving design
- Low contact resistance
- Rivet mount design with solder lugs



RoHS Compliant

For quantities of 2000 and up, call for quote.

MOUSER STOCK NO.	Keystone Part No.	Fig.	Mount Type	Fuse Size	Description	Price Each			
						1	100	500	1000
534-3521	3521	H	Press	5mm	.016" Tinned brass	.16	.09	.08	.07
534-3517	3517	I	Press	5mm	.02" Tinned brass	.14	.12	.10	.08
534-3520	3520	J	Rivet	5mm	.016" Tinned brass	.13	.09	.07	.06
534-3519	3519	K	Press	5mm	.016" Tinned brass	.13	.09	.07	.06
534-3513	3513	L	Snap-In	1/4"	.02" Tinned brass	.23	.15	.13	.12
534-3529	3529	M	Press	1/4"	.02" Tinned brass	.16	.14	.10	.09
534-3530	3530	N	Press	1/4"	.02" Tinned brass	.14	.11	.10	.09
534-3515	3515	O	Snap-In	1/4"	.02" Tinned brass	.17	.12	.11	.09
534-3535	3535	P	Rivet	1/4"	.02" Tinned brass	.28	.17	.15	.11
534-3531	3531	Q	Rivet	1/4"	.02" Tinned brass	.18	.12	.09	.08

## KEYSTONE MOLDED BASE FUSE BLOCKS



RoHS Compliant

For quantities of 2000 and up, call for quote.

MOUSER STOCK NO.	Keystone Part No.	Fig.	No. of Fuses	Fuse Size	Description	Price Each			
						1	100	500	1000
534-3527	3527	R	1	5mm x 20mm	Snap-fit PCB fuse holder	1.05	.62	.52	.48
534-4243	4243	S	1	1/4" x 1 1/4"	Fuse holder w/.250" quick disc.	1.83	1.38	1.24	1.16
534-4245	4245	T	1	1/4" x 1 1/4"	PCB fuse holder	1.11	.82	.68	.559
534-3536	3536	U	1	1/4" x 1 1/4"	Fuse holder for 1 fuse	1.30	.91	.83	.68
534-3537	3537	V	2	1/4" x 1 1/4"	Fuse holder for 2 fuses	2.26	2.09	1.51	1.21
534-3538	3538	W	3	1/4" x 1 1/4"	Fuse holder for 3 fuses	3.31	2.98	2.26	1.78
534-3539	3539	X	4	1/4" x 1 1/4"	Fuse holder for 4 fuses	3.47	2.41	2.25	2.02
534-3523	3523	Y	1	1/4" x 1 1/4"	Fuse holder UL 94V-0	1.12	.92	.79	.70
534-4527	4527	Z	1	5mm x 20mm	Low profile pcb fuse holder	.65	.49	.36	.23
534-4527C	4527C	AA	N/A	----	Cover for 534-4527	.16	.15	.13	.10
534-3526	3526	U	1	1/4" x 1 1/4"	3AG Fuse Holder, UL 94V-0	1.52	1.10	.96	.86

