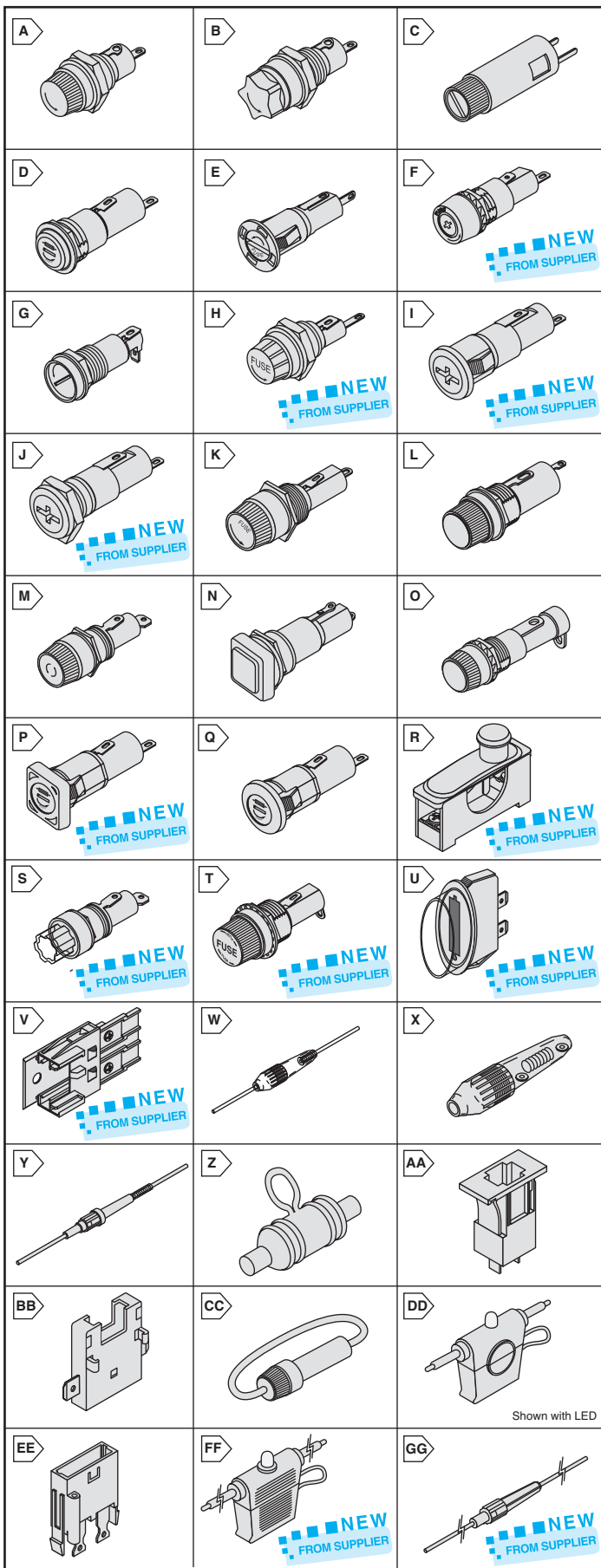


# EAGLE PLASTIC DEVICES Panel Mount & In-line Fuse Holders



Eagle Plastic Devices Fuses & Fuse Holders



## EAGLE PLASTIC DEVICES PANEL MOUNT FUSE HOLDERS

Fuse Size: 5mm x 20mm

RoHS Compliant  
For quantities of 2000 and up, call for quote.

MOUSER STOCK NO.	Fig.	Rating	Terminal Type	Price Each			
				1	100	500	1000
441-R3-12-GRX	A	10A/250VAC	.156" Solder	1.69	1.43	1.29	1.23
441-R26-GRX	B	3A/250VAC	.156" Solder	1.48	1.23	1.12	1.02
441-R324-GR	C	10A/250VAC	.428" PC	1.12	1.02	.91	.84
441-R344B-GR	D	15A/250VAC	.187" Faston	1.30	1.08	.98	.89
441-R354-GR	E	6.3A/250VAC	.109" Solder	1.30	1.08	.98	.89
441-R371-GR	F	10A/250VAC	.118" Solder	1.33	1.11	1.01	.92

Fuse Size: 5.2mm x 20mm

RoHS Compliant  
For quantities of 2000 and up, call for quote.

MOUSER STOCK NO.	Fig.	Rating	Terminal Type	Price Each			
				1	100	500	1000
441-R311-GRX	G	10A/250VAC	.156" Solder	1.48	1.23	1.12	1.02
441-R357-GRX	H	10A/250VAC	.187" Faston	1.26	1.05	.95	.86
441-0201-GR	G	10A/250VAC	.187" Faston	2.00	1.67	1.51	1.38

Fuse Size: 6.34mm x 30mm or 6.35mm x 31.8mm

RoHS Compliant  
For quantities of 2000 and up, call for quote.

MOUSER STOCK NO.	Fig.	Rating	Terminal Type	Price Each			
				1	100	500	1000
441-R361A-GRX	I	10A/250VAC	.250" Faston	2.38	1.98	1.80	1.64
441-R366A-GRX	J	10A/250VAC	.250" Faston	1.86	1.55	1.41	1.28

Fuse Size: 6.4mm x 30mm or (1/4" x 1 1/4") ♦ Glass Tube Fuse

RoHS Compliant  
For quantities of 2000 and up, call for quote.

MOUSER STOCK NO.	Fig.	Rating	Terminal Type	Price Each			
				1	100	500	1000
441-FH001	K	15A/250VAC	Solder	2.67	2.23	2.03	1.85
441-R3-13-GRX	L	10A/250VAC	.187" Faston	2.00	1.60	1.45	1.32
441-R314A-GRX	M	10A/250VAC	.230" Solder	1.40	1.23	1.13	1.04
441-R314C-GRX	M	10A/250VAC	.250" Faston	1.46	1.38	1.27	1.14
441-R321AB-GRX	N	10A/250VAC	.148" Solder	1.42	1.17	1.05	.95
441-R321AR-GRX	N	10A/250VAC	.148" Solder	1.42	1.17	1.05	.95
441-R321AW-GRX	N	10A/250VAC	.148" Solder	1.42	1.17	1.05	.95
441-R328-GRX	O	15A/250VAC	.187" Faston	1.44	1.19	1.09	.99
441-R338-GR	P	10A/250VAC	.187" Faston	1.33	1.11	1.01	.92
441-R344A-GR	D	15A/250VAC	.187" Faston	1.30	1.08	.98	.89
441-R349A-GR	Q	10A/250VAC	.187" Faston	1.30	1.08	.98	.89
441-R353-GRX	I	15A/250VAC	.250" Faston	1.76	1.47	1.34	1.22
♦441-R362-AC-GR	R	10A/250VAC	Screw	7.37	6.14	5.58	5.07
♦441-R362-DC-GR	R	10A/12-24VDC	Screw	8.09	6.74	6.13	5.57
♦441-R363B-L2-GRX	S	20A/32VDC	.250" Faston	7.56	6.30	5.73	5.21
♦441-R363B-L5-GRX	S	20A/250VAC	.250" Faston	8.27	6.89	6.26	5.69
441-R374-RD-GR	T	10A/250VAC	.187" Faston	1.76	1.47	1.34	1.22
441-R374-GRN-GR	T	10A/250VAC	.187" Faston	1.76	1.47	1.34	1.22

Blade Fuse

RoHS Compliant  
For quantities of 2000 and up, call for quote.

MOUSER STOCK NO.	Fig.	Rating	Terminal Type	Price Each			
				1	100	500	1000
441-R367-GR	U	30A/12-24VDC	.250" Faston	1.76	1.47	1.34	1.22
441-R372-GR	V	60A/12-32VDC	Screw	4.12	3.43	3.12	2.84

## EAGLE PLASTIC DEVICES IN-LINE FUSE HOLDERS

For quantities of 2000 and up, call for quote.

MOUSER STOCK NO.	Fig.	Description	Lead Length (In.)	Price Each			
				1	100	500	1000
44FH019	W	1/4"x1 1/4" Clear	18	5.55	4.63	4.15	3.84
44FH299	X	1/4"x1 1/4" Clear without leads	-	2.60	2.39	2.20	2.02
44FH497	Y	1/4"x1", 1/4"x1 1/4", or 5x20mm	18	2.60	2.39	2.20	2.02
44FH498	Y	1/4"x1", 1/4"x1 1/4", or 5x20mm	18	2.60	2.39	2.20	2.02
441-EPD209F2	Z	10A, 12-18AWG	-	1.27	1.14	1.04	1.00
441-EPD211P	AA	30A, ATQ Blade type, Snap-in Type	-	3.03	2.19	1.89	1.69
441-EPD211TN	BB	30A, ATQ Blade type, Interlock Type	-	1.33	1.20	1.10	.99
441-R332A-GR	CC	5 x 20mm black with red leads	7.9	1.23	1.12	.99	.92
441-R332B-GR	CC	1/4"x1 1/4" black with red leads	7.9	1.23	1.12	.99	.92
441-R347A-GR	DD	30A/32VDC, ATQ Blade type, 12AWG	10.2	2.23	1.86	1.69	1.54
441-R347B-GR	DD	20A/32VDC, ATQ Blade type, 14AWG	10.2	2.23	1.86	1.69	1.54
441-R347C-GR	DD	15A/32VDC, ATQ Blade type, 16AWG	10.2	2.23	1.86	1.69	1.54
441-R347D-GR	DD	10A/32VDC, ATQ Blade type, 18AWG	10.2	1.48	1.23	1.12	1.02
441-R352-GR	EE	20A/24VDC, AMT Max-blade type	10.2	.93	.71	.65	.59
441-R359A-GR	DD	Blade type, 30A/24VDC, 12AWG w/LED	10.2	2.35	1.96	1.78	1.62
441-R359B-GR	DD	Blade type, 20A/24VDC, 14AWG w/LED	10.2	2.22	1.85	1.68	1.53
441-R359C-GR	DD	Blade type, 15A/24VDC, 16AWG w/LED	10.2	2.22	1.85	1.68	1.53
441-R359D-GR	DD	Blade type, 10A/24VDC, 18AWG w/LED	10.2	2.22	1.85	1.68	1.53
441-R360A-GR	FF	Mini blade type, 30A/24VDC, 12AWG w/LED	11	3.88	3.23	2.94	2.67
441-R360B-GR	FF	Mini blade type, 20A/24VDC, 14AWG w/LED	11	3.83	3.19	2.90	2.64
441-R360C-GR	FF	Mini blade type, 15A/24VDC, 16AWG w/LED	11	3.79	3.16	2.87	2.61
441-R360D-GR	FF	Mini blade type, 10A/24VDC, 18AWG w/LED	11	3.68	3.07	2.79	2.54
441-R364-GR	GG	10A/250VAC, 16AWG	5.5	1.43	1.19	1.08	.98

