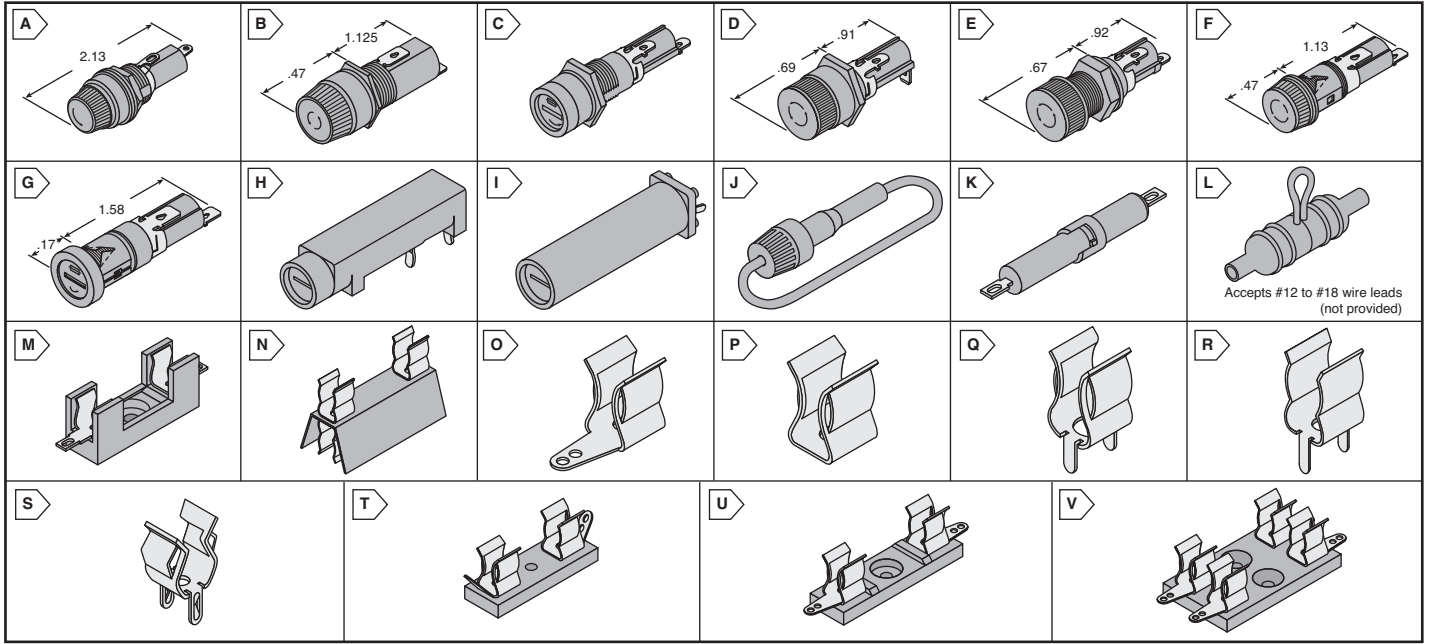


COOPER / BUSSMANN Fuse Holders, Fuse Clips and Fuse Blocks

DIMENSIONS: in.



Cooper / Bussmann Fuses & Fuse Holders

COOPER Bussmann STANDARD PANEL MOUNT FUSE HOLDERS

UL E14853 IEC 47235

Solder Terminals For quantities of 250 and up, call for quote.

MOUSER STOCK NO.	Fig.	Mounting Position/Type	Profile	Current Rating	Fuse Size (In)	Price Each			
						1	25	50	100
504-HJM	A	Front/Hex Nut	Low	5A @ 125V	1/4 X 1	4.96	4.71	4.46	4.22
504-HKP	A	Front/Hex Nut	Low	30A @ 250V	1/4 X 1-1/4	2.40	2.28	2.16	2.04

COOPER Bussmann FUSE HOLDERS AND CLIPS PCB Fuse Holders

UL E14853 IEC 47235

• "Kicked" terminals for optimum wave soldering
• Anti-wicking terminals For quantities of 250 and up, call for quote.

MOUSER STOCK NO.	Fig.	Fuse Size	Current Rating	Price Each			
				1	25	50	100
504-HBH-I	H	1/4" x 1-1/4"	12A @ 250V	2.46	2.34	2.21	2.09
504-HBV-I	I	1/4" x 1-1/4"	12A @ 250V	4.18	3.34	3.01	2.84
504-HBH-M	H	5mm x 20mm	12A @ 250V	3.52	3.34	3.17	2.99
504-HBV-M	I	5mm x 20mm	12A @ 250V	4.38	4.16	3.94	3.72

COOPER Bussmann PANEL MOUNT FUSE HOLDERS

UL E14853 IEC 47235

- Flammability rating: UL 94V-0
- Terminal: 3/16" solder/quick connect
- Terminal 1/4" quick connect
- Temperature range: -55°C to 85°C

Standard (for 1/4" x 1 1/4" Fuses) For quantities of 250 and up, call for quote.

MOUSER STOCK NO.	Fig.	Mounting Position/Type	Profile	Current Rating	Rear Terminal	Price Each			
						1	25	50	100
504-HTB-22I	B	Rear Hex Nut	Low	15A @ 250V	3/16" Straight	2.40	2.28	2.16	2.04
504-HTB-24I	B	Rear Hex Nut	Low	15A @ 250V	3/16" Rt.Angle	2.40	2.28	2.16	2.04
504-HTB-26I	B	Rear Hex Nut	Low	20A @ 250V	1/4" Straight	2.56	2.43	2.30	2.18
504-HTB-28I	B	Rear Hex Nut	Low	20A @ 250V	1/4" Rt.Angle	2.56	2.43	2.30	2.18
504-HTB-32I	C	Rear Hex Nut	Low	15A @ 250V	3/16" Straight	2.16	2.05	1.94	1.84
504-HTB-34I	C	Rear Hex Nut	Low	15A @ 250V	3/16" Rt.Angle	2.40	2.28	2.16	2.04
504-HTB-36I	C	Rear Hex Nut	Low	20A @ 250V	1/4" Straight	2.56	2.43	2.30	2.18
504-HTB-42I	D	Rear Hex Nut	High	15A @ 250V	3/16" Straight	2.66	2.53	2.39	2.26
504-HTB-44I	D	Rear Hex Nut	High	15A @ 250V	3/16" Rt.Angle	2.54	2.41	2.29	2.16
504-HTB-46I	D	Rear Hex Nut	High	20A @ 250V	1/4" Straight	3.02	2.87	2.72	2.57
504-HTB-48I	D	Rear Hex Nut	High	20A @ 250V	1/4" Rt.Angle	3.02	2.87	2.72	2.57
504-HTB-54I	C	Rear Hex Nut	High	15A @ 250V	3/16" Rt.Angle	3.24	3.08	2.92	2.75
504-HTB-56I	C	Rear Hex Nut	High	20A @ 250V	1/4" Straight	3.46	3.29	3.11	2.94
504-HTB-58I	C	Rear Hex Nut	High	20A @ 250V	1/4" Rt.Angle	5.97	5.94	5.91	5.89
504-HTB-62I	E	Front Hex Nut	High	15A @ 250V	3/16" Straight	2.56	2.43	2.30	2.18
504-HTB-64I	E	Front Hex Nut	High	15A @ 250V	3/16" Rt.Angle	3.46	3.29	3.11	2.94
504-HTB-66I	E	Front Hex Nut	High	20A @ 250V	1/4" Straight	2.74	2.60	2.47	2.33
504-HTB-82I	F	Front Snap-In	Low	15A @ 250V	3/16" Straight	3.46	3.29	3.11	2.94
504-HTB-86I	F	Front Snap-In	Low	20A @ 250V	1/4" Straight	2.78	2.64	2.50	2.36
504-HTB-88I	F	Front Snap-In	Low	20A @ 250V	1/4" Rt.Angle	3.78	3.59	3.40	3.21
504-HTB-92I	G	Front Snap-In	Low	15A @ 250V	3/16" Straight	3.46	3.29	3.11	2.94
504-HTB-98I	G	Front Snap-In	Low	20A @ 250V	1/4" Rt.Angle	4.64	4.41	4.18	3.94

Miniature (for 5mm x 20mm Fuses) For quantities of 250 and up, call for quote.

MOUSER STOCK NO.	Fig.	Mounting Position/Type	Profile	Current Rating	Rear Terminal	Price Each			
						1	25	50	100
504-HTB-22M	D	Rear Hex Nut	High	16A @ 250V	3/16" Straight	2.56	2.43	2.30	2.18
504-HTB-26M	B	Rear Hex Nut	Low	16A @ 250V	1/4" Straight	2.88	2.74	2.59	2.45
504-HTB-28M	B	Rear Hex Nut	Low	16A @ 250V	1/4" Rt.Angle	2.88	2.74	2.59	2.45
504-HTB-32M	C	Rear Hex Nut	Low	15A @ 250V	3/16" Straight	2.56	2.43	2.30	2.18
504-BK/HTB-36M-R	C	Rear Hex Nut	Low	16A @ 250V	1/4" Straight	4.00	3.84	3.69	3.53
504-HTB-38M	C	Rear Hex Nut	Low	16A @ 250V	1/4" Rt.Angle	2.83	2.67	2.64	2.62
504-HTB-42M	D	Rear Hex Nut	High	15A @ 250V	3/16" Straight	2.50	2.38	2.25	2.13
504-HTB-46M	D	Rear Hex Nut	High	16A @ 250V	1/4" Straight	3.63	3.60	3.57	3.55
504-HTB-56M	C	Rear Hex Nut	High	16A @ 250V	1/4" Straight	3.92	3.72	3.53	3.33
504-HTB-62M	E	Front Hex Nut	High	15A @ 250V	3/16" Straight	2.56	2.43	2.30	2.18
504-HTB-82M	F	Front Snap-In	Low	15A @ 250V	3/16" Straight	2.50	2.40	2.37	2.35
504-HTB-92M	G	Front Snap-In	Low	15A @ 250V	3/16" Straight	2.56	2.43	2.30	2.18

In-Line Fuse Holders

*Leads not supplied For quantities of 250 and up, call for quote.

MOUSER STOCK NO.	Fig.	Fuse Size	Lead Lth. (in.)	Price Each			
				1	25	50	100
504-HRK	J	1/4" x 7/8" to 1/4" x 1 1/4"	8	2.92	2.77	2.63	2.48
504-HMJ	J	1 1/4" fuses 20A inc.	8	3.63	3.60	3.57	3.55
504-HFA	K	1/4" x 1 1/4" waterproof	---	14.70	13.97	13.23	12.50
504-HFB	L	1/4" x 1 1/4" waterproof	---	5.04	4.79	4.54	4.28

Fuse Blocks

• 1/4" x 1 1/4" fuse size • Anti-pivot barrier
• Spring-bronze clips • Totally sealed base For quantities of 250 and up, call for quote.

MOUSER STOCK NO.	Fig.	Description	Price Each			
			1	25	50	100
504-S-8001-1	M	Solder terminal	.95	.91	.86	.81
504-S8002-12	M	For 1/4 x 1-1/4"	10.38	9.86	9.34	8.82
504-S-8101-1	M	3/16" quick connect	.92	.88	.83	.78
504-S82022	M	For 1/4 x 1-1/4"	2.00	1.90	1.80	1.70

COOPER Bussmann FUSE CLIPS AND BLOCKS

UL E14853A IEC 47235

Twin Clips

Makes it unnecessary to replace blown pigtail fuse by cutting or soldering. Twin-clips snap on the blown fuse. For quantities of 250 and up, call for quote.

MOUSER STOCK NO.	Fig.	Fuse Size	Price Each			
			1	25	50	100
504-3434	N	5/8" to 1 1/4" long; insulated	4.74	4.50	4.27	4.03

Fuse Clips

• Made of spring bronze For quantities of 250 and up, call for quote.

MOUSER STOCK NO.	Fig.	Description	Price Each			
			1	25	50	100
504-5678-14	O	1/4" solder terminal	.18	.17	.16	.15
504-5682-41	P	1/4" screw mount	.15	.13	.11	.10
504-1A1119-10	Q	1/4" PC mount with stop	.21	.20	.19	.18
504-1A1120-10	R	1/4" PC mount	.21	.20	.19	.18
504-1A1907-06	Q	For 1/4" Diameter	.14	.12	.11	.10
504-1A3399-10	S	5mm PC mount with stop	.17	.16	.15	.14
504-1A3400-09	Q	For 13/32" Diameter	.45	.43	.41	.38

- Molded bakelite base • Beryllium copper solder terminal
- Silver plated clips

For quantities of 1000 and up, call for quote.

MOUSER STOCK NO.	Fig.	Description	Current Rating	Price Each			
				1	25	50	100
504-3828-1	T	1" fuse size	30A @ 250	4.54	4.31	4.09	3.86
504-4405	U	1 1/4" fuse size	30A @ 250	5.42	5.07	4.61	4.26
504-4408	V	1 1/4" fuse size	30A @ 250	12.02	11.42	10.82	10.22

