

AEM SMD Chip Fuses

RoHS Compliant This product is RoHS compliant.



SLOW BLOW SURFACE MOUNT FUSES

SolidMatrix® 0603

Features:

- Superior pulse tolerance capability
- Multilayer ceramic monolithic structure with silver fusing element
- Standard EIA0603/EIAJ1608 Size. (For 1206, change to Standard EIA1206/EIAJ3216 Size)
- Silver termination with nickel and tin plating, providing excellent solderability
- Compatible with lead-free soldering process
- Operating temperature: -55°C to 125°C (with de-rating)
- RoHS compliant materials



RoHS Compliant

For quantities of 100 and up, call for quote.

MOUSER STOCK NO.	AEM Part No.	Figure	Amp (A)	Volts (V)	Price Each		
					1	25	50
637-F0603SB1000V032	F0603SB1000V032T	A	1.0A	32V	.33	.31	.30
637-F0603SB1500V032	F0603SB1500V032T	A	1.5A	32V	.33	.31	.30
637-F0603SB2000V032	F0603SB2000V032T	A	2.0A	32V	.33	.31	.30
637-F0603SB2500V032	F0603SB2500V032T	A	2.5A	32V	.33	.31	.30
637-F0603SB3000V032	F0603SB3000V032T	A	3.0A	32V	.33	.31	.30
637-F0603SB3500V032	F0603SB3500V032T	A	3.5A	32V	.33	.31	.30
637-F0603SB4000V032	F0603SB4000V032T	A	4.0A	32V	.33	.31	.30
637-F0603SB4500V032	F0603SB4500V032T	A	4.5A	32V	.33	.31	.30
637-F0603SB5000V032	F0603SB5000V032T	A	5.0A	32V	.33	.31	.30

SolidMatrix® 1206

Features:

- Superior pulse tolerance capability
- Multilayer ceramic monolithic structure with silver fusing element
- Standard EIA0603/EIAJ1608 Size. (For 1206, change to Standard EIA1206/EIAJ3216 Size)
- Silver termination with nickel and tin plating, providing excellent solderability
- Compatible with lead-free soldering process
- Operating temperature: -55°C to 125°C (with de-rating)
- RoHS compliant materials



RoHS Compliant

For quantities of 100 and up, call for quote.

MOUSER STOCK NO.	AEM Part No.	Figure	Amp (A)	Volts (V)	Price Each		
					1	25	50
637-F1206SB1000V063	F1206SB1000V063T	B	1.0A	63V	.37	.36	.34
637-F1206SB1250V063	F1206SB1250V063T	B	1.25A	63V	.37	.36	.34
637-F1206SB1500V063	F1206SB1500V063T	B	1.5A	63V	.37	.36	.34
637-F1206SB2000V063	F1206SB2000V063T	B	2.0A	63V	.37	.36	.34
637-F1206SB2500V032	F1206SB2500V032T	B	2.5A	32V	.37	.36	.34
637-F1206SB3000V032	F1206SB3000V032T	B	3.0A	32V	.37	.36	.34
637-F1206SB3500V032	F1206SB3500V032T	B	3.5A	32V	.52	.50	.48
637-F1206SB4000V032	F1206SB4000V032T	B	4.0A	32V	.52	.50	.48
637-F1206SB4500V032	F1206SB4500V032T	B	4.5A	32V	.52	.50	.48
637-F1206SB5000V032	F1206SB5000V032T	B	5.0A	32V	.52	.50	.48
637-F1206SB5500V024	F1206SB5500V024T	B	5.5A	24V	.52	.50	.48
637-F1206SB6000V024	F1206SB6000V024T	B	6.0A	24V	.52	.50	.48
637-F1206SB7000V024	F1206SB7000V024T	B	7.0A	24V	.52	.50	.48
637-F1206SB8000V024	F1206SB8000V024T	B	8.0A	24V	.52	.50	.48

HIGH INRUSH CURRENT SURFACE MOUNT FUSES

SolidMatrix® 0603

Features:

- High inrush current withstanding capability
- Multilayer ceramic monolithic structure with silver fusing element
- Standard EIA0603/EIAJ1608 Size. (For 1206, change to Standard EIA1206/EIAJ3216 Size)
- Silver termination with nickel and tin plating, providing excellent solderability
- Compatible with lead-free soldering process
- Operating temperature: -55°C to 125°C (with de-rating)
- RoHS compliant materials



RoHS Compliant

For quantities of 100 and up, call for quote.

MOUSER STOCK NO.	AEM Part No.	Figure	Amp (A)	Volts (V)	Price Each		
					1	25	50
637-F0603HI1000V032	F0603HI1000V032T	A	1.0A	32V	.23	.22	.21
637-F0603HI1500V032	F0603HI1500V032T	A	1.5A	32V	.23	.22	.21
637-F0603HI2000V032	F0603HI2000V032T	A	2.0A	32V	.23	.22	.21
637-F0603HI2500V032	F0603HI2500V032T	A	2.5A	32V	.23	.22	.21
637-F0603HI3000V032	F0603HI3000V032T	A	3.0A	32V	.23	.22	.21
637-F0603HI3500V032	F0603HI3500V032T	A	3.5A	32V	.23	.22	.21
637-F0603HI4000V032	F0603HI4000V032T	A	4.0A	32V	.23	.22	.21
637-F0603HI4500V032	F0603HI4500V032T	A	4.5A	32V	.23	.22	.21
637-F0603HI5000V032	F0603HI5000V032T	A	5.0A	32V	.23	.22	.21

SolidMatrix® 1206

Features:

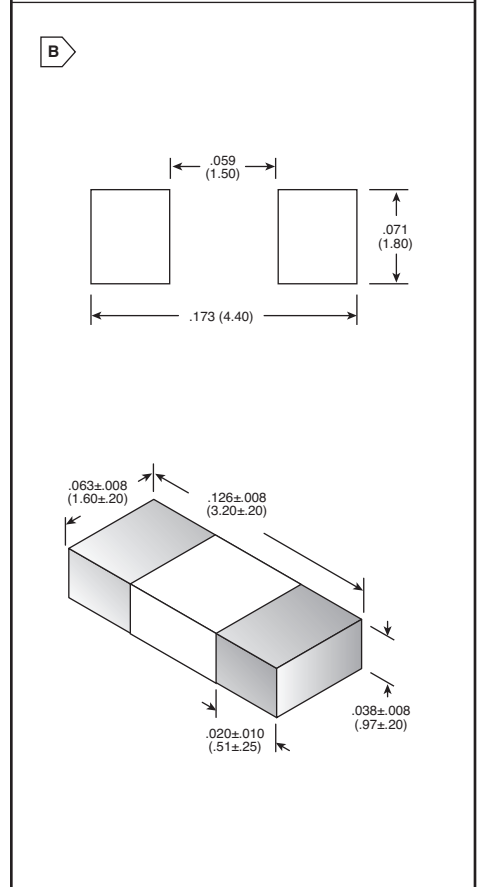
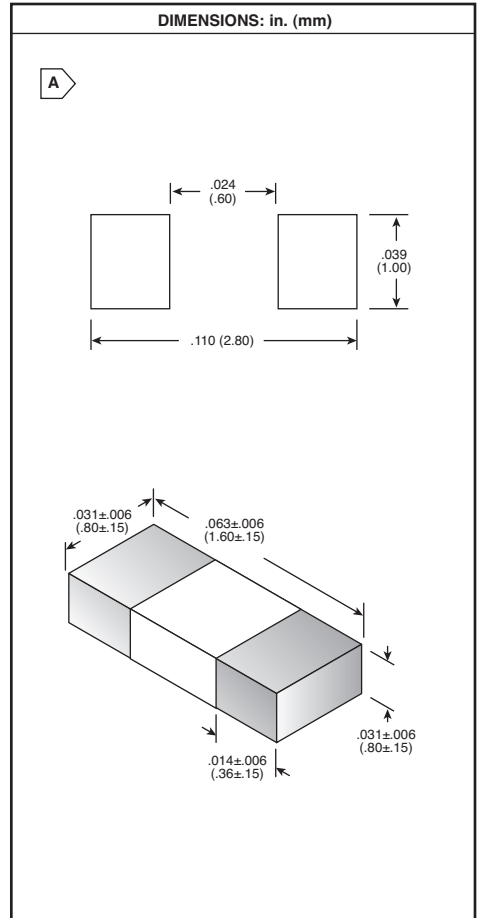
- High inrush current withstanding capability
- Multilayer ceramic monolithic structure with silver fusing element
- Standard EIA0603/EIAJ1608 Size. (For 1206, change to Standard EIA1206/EIAJ3216 Size)
- Silver termination with nickel and tin plating, providing excellent solderability
- Compatible with lead-free soldering process
- Operating temperature: -55°C to 125°C (with de-rating)
- RoHS compliant materials



RoHS Compliant

For quantities of 100 and up, call for quote.

MOUSER STOCK NO.	AEM Part No.	Figure	Amp (A)	Volts (V)	Price Each		
					1	25	50
637-F1206HI1000V063	F1206HI1000V063T	B	1.0A	63V	.26	.24	.23
637-F1206HI1500V063	F1206HI1500V063T	B	1.5A	63V	.26	.24	.23
637-F1206HI2000V063	F1206HI2000V063T	B	2.0A	63V	.26	.24	.23
637-F1206HI2500V032	F1206HI2500V032T	B	2.5A	32V	.26	.24	.23
637-F1206HI3000V032	F1206HI3000V032T	B	3.0A	32V	.26	.24	.23
637-F1206HI3500V032	F1206HI3500V032T	B	3.5A	32V	.26	.24	.23
637-F1206HI4000V032	F1206HI4000V032T	B	4.0A	32V	.26	.24	.23
637-F1206HI4500V032	F1206HI4500V032T	B	4.5A	32V	.26	.24	.23
637-F1206HI5000V032	F1206HI5000V032T	B	5.0A	32V	.26	.24	.23



Fuses & Fuse Holders
AEM