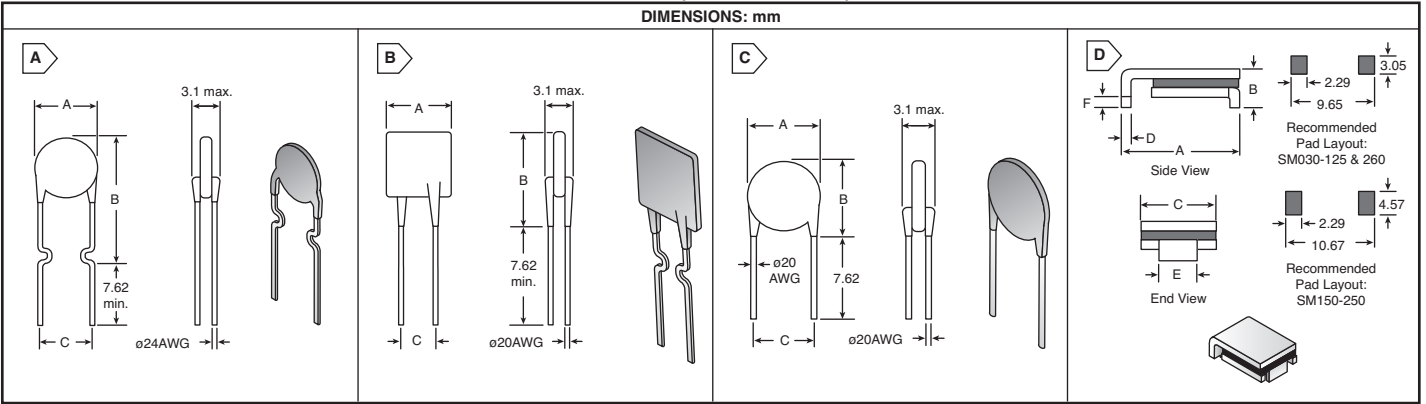


# BOURNS *Multi-Use* PTC Resettable Fuses

This product is RoHS compliant.



MULTIFUSE® Resettable Fuses from Bourns are manufactured from a non-conductive crystalline polymer and a highly conductive carbon black. When the conductive plastic material is at normal room temperature, there are numerous carbon chains forming conductive paths through the material. Under fault conditions, excessive current flows through the material causing the temperature to rise and is accompanied by a small expansion. As the conductive particles move apart they no longer conduct current and the resistance of the device increases sharply. The material will stay "hot" as long as the power is applied. The device will remain latched, providing continuous protection, until the fault is cleared and the power is removed. The carbon chains will reform as the polymer re-crystallizes and the resistance quickly returns to its original value.

## BOURNS MF-R SERIES

Reliable Electronic Solutions

### Features:

- Lead Free
- Radial leaded devices
- Cured, flame retardant epoxy polymer insulating material meets UL94V-0 requirements

### Applications:

- Almost anywhere there is a low voltage power supply and a load to be protected including:
- Computers and peripherals
  - Automotive applications
  - General electronics



RoHS Compliant



For quantities greater than 2000, call for quote.

MOUSER STOCK NO.	Bourns Part No.	Fig.	Max Volt.	I max. Amps	Rated Current Amps @ 23°C		Initial Resistance Ω @ 23°C		Post-Trip Resist.	Dimensions: mm			Price Each				
					Hold	Trip	Min.	Max.		A (max.)	B (max.)	C (nom.)	1	100	500	1000	2000
652-MFR010-LF	MF-R010-99	A	60	40	0.10	0.20	2.50	4.50	7.50	7.39	12.70	5.08	.35	.21	.173	.159	.145
652-MFR017-LF	MF-R017-99	A	60	40	0.17	0.34	2.0	3.2	8.00	7.39	12.70	5.08	.58	.36	.288	.265	.242
652-MFR020-LF	MF-R020-99	A	60	40	0.20	0.40	1.50	2.84	4.40	7.39	12.70	5.08	.61	.38	.305	.281	.256
652-MFR025-LF	MF-R025-99	A	60	40	0.25	0.50	1.00	1.95	3.00	7.39	12.70	5.08	.61	.38	.305	.281	.256
652-MFR030-LF	MF-R030-99	A	60	40	0.30	0.60	0.76	1.36	2.10	7.39	13.39	5.08	.35	.21	.173	.159	.145
652-MFR040-LF	MF-R040-99	A	60	40	0.40	0.80	0.52	0.86	1.29	7.39	13.69	5.08	.65	.40	.325	.299	.273
652-MFR050-LF	MF-R050-99	A	60	40	0.50	1.00	0.41	0.77	1.17	7.90	13.69	5.08	.65	.40	.325	.299	.273
652-MFR065-LF	MF-R065-99	A	60	40	0.65	1.30	0.27	0.48	0.72	9.70	15.19	5.08	.65	.40	.325	.299	.273
652-MFR075-LF	MF-R075-99	A	60	40	0.75	1.50	0.18	0.40	0.60	10.39	16.00	5.08	.40	.24	.198	.182	.166
652-MFR090-LF	MF-R090-99	A	60	40	0.90	1.80	0.14	0.31	0.47	11.71	16.69	5.08	.59	.36	.293	.269	.246
652-MFR110-LF	MF-R110-99	A	30	40	1.10	2.20	0.10	0.18	0.27	8.89	14.00	5.08	.59	.36	.293	.269	.246
652-MFR135-LF	MF-R135-99	A	30	40	1.35	2.70	0.065	0.115	0.17	8.89	18.90	5.08	.59	.36	.293	.269	.246
652-MFR160-LF	MF-R160-99	A	30	40	1.60	3.20	0.055	0.105	0.15	10.19	16.79	5.08	.65	.40	.325	.299	.273
652-MFR185-LF	MF-R185-99	A	30	40	1.85	3.70	0.04	0.07	0.11	11.99	18.39	5.08	.45	.28	.223	.205	.187
652-MFR250-0-010-LF	MF-R250-0-010-99	B	30	40	2.50	5.00	0.025	0.048	0.07	11.99	18.29	5.08	.72	.44	.358	.329	.30
652-MFR300-LF	MF-R300-99	B	30	40	3.00	6.00	0.02	0.05	0.08	11.99	18.29	5.08	.55	.34	.273	.251	.229
652-MFR400-LF	MF-R400-99	B	30	40	4.00	8.00	0.01	0.03	0.05	14.40	24.79	5.08	.78	.48	.39	.359	.328
652-MFR500-LF	MF-R500-99	B	30	40	5.00	10.00	0.01	0.03	0.05	17.40	24.89	10.16	.84	.52	.42	.386	.353
652-MFR600-LF	MF-R600-99	B	30	40	6.00	12.00	0.005	0.02	0.04	19.30	31.90	10.16	.88	.54	.438	.403	.368
652-MFR700-LF	MF-R700-99	B	30	40	7.00	14.00	0.005	0.02	0.03	22.10	29.79	10.16	.91	.56	.453	.416	.38
652-MFR800-LF	MF-R800-99	B	30	40	8.00	16.00	0.005	0.02	0.03	24.21	32.89	10.16	.94	.58	.47	.432	.395
652-MFR900-LF	MF-R900-99	B	30	40	9.00	18.00	0.005	0.01	0.02	24.21	32.89	10.16	1.01	.62	.503	.462	.422

## BOURNS MF-RX SERIES

Reliable Electronic Solutions

### Features:

- Lead Free
- Radial leaded devices
- Cured, flame retardant epoxy polymer insulating material meets UL94V-0 requirements

### Applications:

- Almost anywhere there is a low voltage power supply, up to 60V and a load to be protected including:
- Security and fire alarm systems
  - Power transformers
  - Loud speakers



RoHS Compliant



MOUSER STOCK NO.	Bourns Part No.	Fig.	Max Volt.	I max. Amps	Rated Current Amps @ 23°C		Initial Resistance Ω @ 23°C		Post-Trip Resist.	Dimensions: mm			Price Each				
					Hold	Trip	Min.	Max.		A (max.)	B (max.)	C (nom.)	1	100	500	1000	2000
652-MFRX110-LF	MF-RX110-99	C	60	40	1.10	2.20	0.15	0.25	0.38	13.00	18.01	5.08	.90	.56	.45	.414	.378
652-MFRX135-LF	MF-RX135-99	C	60	40	1.35	2.70	0.12	0.19	0.30	14.50	19.61	5.08	.95	.59	.475	.437	.399
652-MFRX185-LF	MF-RX185-99	C	60	40	1.85	3.70	0.08	0.12	0.19	17.81	22.89	5.08	1.00	.62	.50	.46	.42
652-MFRX300-LF	MF-RX300-99	C	60	40	3.00	6.00	0.04	0.06	0.10	24.89	29.97	10.16	1.15	.71	.575	.529	.483
652-MFRX375-LF	MF-RX375-99	C	60	40	3.75	7.50	0.03	0.05	0.08	28.45	33.53	10.16	.87	.54	.433	.398	.363

## BOURNS MF-SM SERIES

Reliable Electronic Solutions

### Features:

- Lead Free
- Surface mount devices
- Fully compatible with current industry standards
- Packaged per EIA 481-2 standard
- Patents pending

### Applications:

- Almost anywhere there is a low voltage power supply and a load to be protected including:
- Computers and peripherals
  - General electronics
  - Automotive applications



RoHS Compliant



For quantities greater than 2000, call for quote.

MOUSER STOCK NO.	Bourns Part No.	Fig.	Max Volt.	I max. Amps	Rated Current Amps @ 23°C		Initial Resist. Ω @ 23°C		Dimensions: mm						Price Each				
					Hold	Trip	Min.	Max.	A (max.)	B (max.)	C (max.)	D (max.)	E (max.)	F (max.)	1	100	500	1000	2000
652-MFSM050-2-LF	MF-SM050-2-99	D	60	40	0.50	1.00	0.35	1.40	7.98	3.18	5.44	.71	2.41	.43	.70	.42	.336	.308	.28
652-MFSM075-2-LF	MF-SM075-2-99	D	30	80	0.75	1.50	0.23	1.00	7.98	3.18	5.44	.71	2.41	.43	.70	.42	.336	.308	.28
652-MFSM100-2-LF	MF-SM100-2-99	D	30	80	1.10	2.20	0.12	0.48	7.98	3.00	5.44	.71	2.41	.43	.70	.42	.336	.308	.28
652-MFSM125-2-LF	MF-SM125-2-99	D	15	100	1.25	2.50	0.07	0.25	7.98	3.00	5.44	.71	2.41	.43	.70	.42	.336	.308	.28
652-MFSM150-2-LF	MF-SM150-2-99	D	15	100	1.50	3.00	0.06	0.25	9.50	3.00	6.71	.71	3.94	.43	.70	.42	.336	.308	.28
652-MFSM200-2-LF	MF-SM200-2-99	D	15	100	2.00	4.00	0.05	0.125	9.50	3.00	6.71	.71	3.94	.43	.75	.45	.36	.33	.30
652-MFSM250-2-LF	MF-SM250-2-99	D	15	100	2.50	5.00	0.024	0.085	9.50	3.00	6.71	.71	3.94	.43	.75	.45	.36	.33	.30
652-MFSM260-2-LF	MF-SM260-2-99	D	6	100	2.60	5.20	0.025	0.075	7.98	3.00	5.44	.71	2.41	.43	.70	.42	.336	.308	.28

