

XICON Thermal Cutoffs, Thermistors and Surge Arrestors



Products may be RoHS compliant.
Check mouser.com for RoHS status.

XICON 2BN SERIES THERMAL CUTOFFS / THERMAL-LINKS

Features:

- Compact axial construction
- Highly insulated
- Fast, reliable operation
- Special alloy that contains no cadmium
- Also known as TCO's or Thermal Links

Applications:

- Transformers
- Solenoids
- Gas home appliances
- Ventilation fans
- Fluorescent lighting
- Electric fans
- Second battery systems
- Small electric motors
- Chargers
- Adapters
- Heating devices...and more

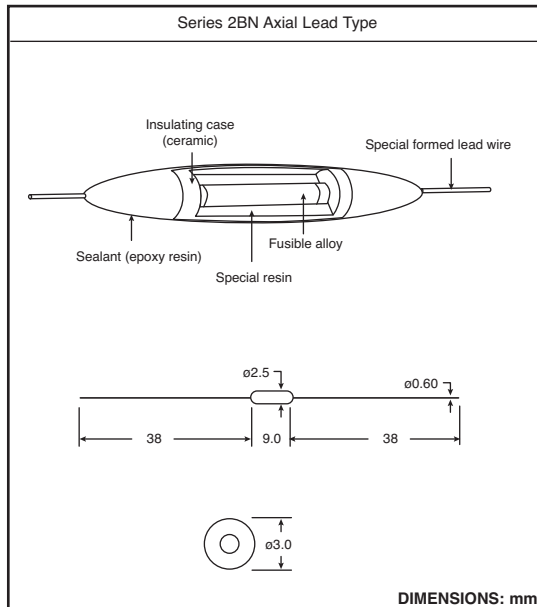
Principle of operation:

An abnormal temperature rise will cause the special resin used in the TCO to soften and liquefy. As the abnormal temperature rises above the melting point of the fusible alloy, the alloy melts and separates the lead wires. **Xicon Thermal Cutoffs will not reset**; the TCO must be replaced after the fault in the protected equipment is corrected.



RoHS Compliant

Cross Reference Chart				
Xicon Stock No.	Elmwood	MicroTemp	Selco	Panasonic
XYP2BN082	D081-002	4178AI	STC-183	EYP2BN082
XYP2BN098	D096-002	4204AI	STC-208	EYP2BN098
XYP2BN109	D103-002	4218AI	STC-219	EYP2BN109
XYP2BN135	D139-002	4283AI	STC-286	EYP2BN135
XYP2BN143	D149-002	4300AI	STC-306	EYP2BN143



For quantities of 1000 and up, call for quote.

Mouser Part No.	Xicon Part No.	Electrical Rating		Rated Temp. (C°)	Functioning Temp. (C°)	Max Operating Temp. (C°)	Holding Temp. (C°)	Maximum Temperature		Price Each			
		Volt (V)	Amp (A)					UL, VDE (C°)	CSA (C°)	1	10	100	500
447-XYP2BN082-RC	XYP-2BN082-RC	250V AC	2.0	86	82	60	60	200	150	.44	.40	.33	.30
447-XYP2BN099-RC	XYP-2BN099-RC	250V AC	2.0	102	98	75	76	200	150	.44	.40	.33	.30
447-XYP2BN109-RC	XYP-2BN109-RC	250V AC	2.0	114	110	80	90	200	150	.44	.40	.33	.30
447-XYP2BN110-RC	XYP-2BN110-RC	250V AC	2.0	115	110	80	90	200	150	.44	.40	.33	.30
447-XYP2BN127-RC	XYP-2BN127-RC	250V AC	2.0	133	128	96	108	200	180	.44	.40	.33	.30

Definitions:

- Rated Temperature: the temperature at which a TCO completely opens
- Functioning Temperature: the temperature at which a TCO begins to open
- Holding Temperature: the temperature at which a TCO will conduct the rated current for 168 hours without opening.
- Max Operating Temperature: Maximum temperature at which the device will carry full operating current without opening.

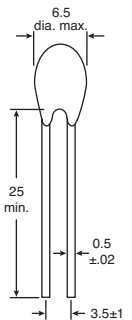
XICON Passive Components NTC THERMISTORS

B constant signifies the dimensions of the resistance changes against a temperature between two optional temperatures.

- Temperature range: -20°C to +125°C
- Maximum power rating: 500mW (@ 25°C)
- Dissipation factor: 6mW/°C (@ 25°C)
- Heat resistant, and moisture proof
- Almost indefinite life



RoHS Compliant



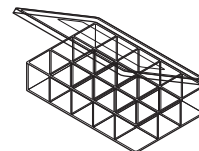
DIMENSIONS: mm

MOUSER STOCK NO.	(Ω) @ 25°C Value	B (K) (25°C/50°C) B-Constant	I (Max) @ 25°C (mA)	Price Each				
				1	100	500	1000	2000+
334-NTC101-RC	100	3100	200	.66	.44	.37	.25	
334-NTC201-RC	200	3000	200	.66	.44	.37	.25	C
334-NTC301-RC	300	3000	150	.66	.44	.37	.25	A
334-NTC501-RC	500	3800	100	.66	.44	.37	.25	L
334-NTC102-RC	1K	3700	80	.66	.44	.37	.25	L
334-NTC152-RC	1.5K	3700	60	.66	.44	.37	.25	
334-NTC202-RC	2K	4000	60	.66	.44	.37	.25	F
334-NTC302-RC	3K	4000	50	.66	.44	.37	.25	O
334-NTC502-RC	5K	4100	45	.66	.44	.37	.25	R
334-NTC103-RC	10K	4100	30	.66	.44	.37	.25	
334-NTC153-RC	15K	4200	25	.66	.44	.37	.25	Q
334-NTC203-RC	20K	4200	25	.66	.44	.37	.25	U
334-NTC503-RC	50K	4400	20	.66	.44	.37	.25	O
334-NTC104-RC	100K	4400	15	.66	.44	.37	.25	T
334-NTC224-RC	220K	4500	6	.66	.44	.37	.25	E
334-NTC404-RC	400K	4500	5	.66	.44	.37	.25	

XICON Passive Components NTC THERMISTOR KIT



RoHS Compliant



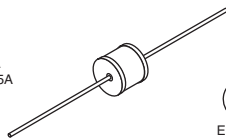
Contains 60 pieces
5 Each: 100, 200, 300, 500, 1K, 2K, 3K, 5K, 10K, 15K, 20K, 50K, Ω @ 25°C

MOUSER STOCK NO.	Price Each
370-NTC-T2-RC	29.95

XICON Passive Components GAS TUBE SURGE ARRESTORS

Features:

- Medium duty
- Two electrode
- Max. impulse discharge current (8/20μs): 10kA
- Max. AC discharge current (50Hz, 9 cycles): 65A
- Min. insulation resistance: 10¹⁴Ω
- Max. capacitance: 1.5pF
- AC(RMS) discharge current: 20A



MOUSER STOCK NO.	DC Breakdown Voltage 100V/s (V)	Max. Impulse Breakdown Voltage 100V/μs (V)	DC Holdover Voltage (V)	Impulse Life 10/1000μs 500A (times)	Nom. DC Sparkover Voltage (V)	Price Each			
						1	10	100	500
444-GT-90L	72-108	500	50	400	90 +25%/-20%	3.09	2.69	2.12	1.93
444-GT-230L	195-265	500	115	400	230 ±20%	3.09	2.69	2.12	1.93
444-GT-350L	297-403	650	150	400	350 ±20%	3.09	2.69	2.12	1.93
444-GT-600L	480-720	1,000	150	200	600 +35%/-20%	3.09	2.69	2.12	1.93

For quantities of 1000 and up, call for quote.