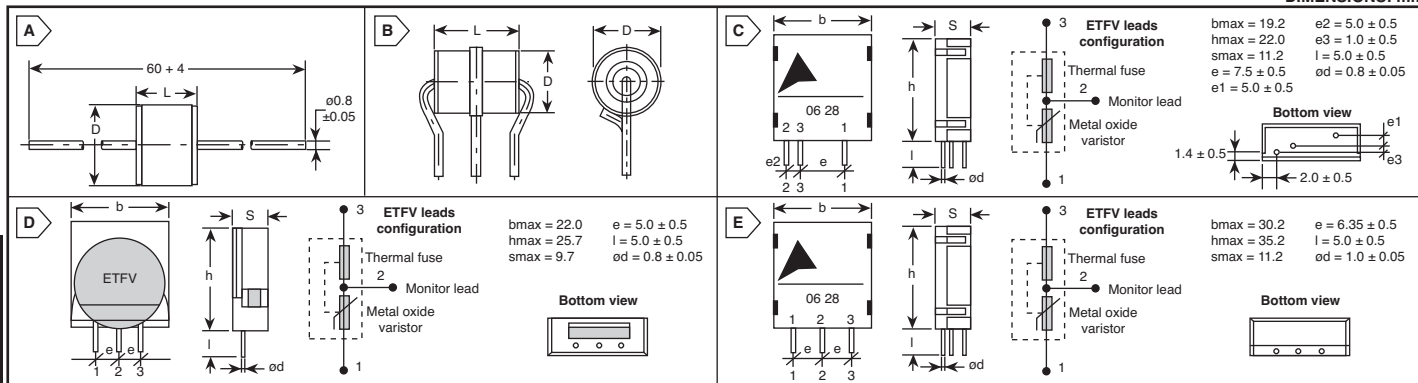


EPCOS Gas Discharge Tubes and Varistors

Products may be RoHS compliant.
Check mouser.com for RoHS status.

EPCOS

Dimensions: mm



Varistors

Epcos

2-POLE GAS DISCHARGE TUBES

Features:

- Standard size
- High current rating
- Very fast response time
- Stable performance over life

- Very low capacitance
- High insulation resistance
- RoHS-compatible

Applications:

- Modem
- XDSL-splitter
- Data lines
- Tuner
- Antenna



For quantities of 200 and up, call for quote.

MOUSER STOCK NO.	Epcos Part No.	Fig.	DC Sparkover Voltage	Impulse Sparkover Voltage (100volts/ μ s)	Impulse Sparkover Voltage (1000volts/ μ s)	Arc Voltage @ 1 Amp	Single Impulse Discharge Current (KA/820 μ s)	Dimensions (LxD mm)	Price Each				
									1	10	25	50	100
871-EC75X	B88069X0180S102	A	75	500	700	12	10	6x8	1.41	1.17	1.06	.99	.94
871-A81-C90X	B88069X1380S102	A	90	500	600	10	25	6x8	1.92	1.60	1.51	1.37	1.28
871-EC90X	B88069X0720S102	A	90	500	600	12	10	6x8	1.41	1.17	1.05	.99	.94
871-M51-A90X	B88069X5010C102	A	90	550	600	15	10	5x5	1.98	1.58	1.44	1.31	1.21
871-EC230X	B88069X0660S102	A	230	550	700	12	10	6x8	1.41	1.17	1.05	.99	.94
871-M51-A230X	B88069X2930C102	A	230	550	650	15	10	5x5	1.92	1.60	1.51	1.37	1.28
871-A81-A230X	B88069X2250S102	A	230	500	650	15	20	6x8	1.92	1.60	1.51	1.37	1.28
871-EC350X	B88069X0810S102	A	350	800	900	12	10	6x8	1.41	1.17	1.05	.99	.94
871-M51-A350X	B88069X4640C102	A	350	800	900	15	10	5x5	1.92	1.60	1.51	1.37	1.28
871-N81-A350X	B88069X4920S102A2	A	350	700	900	15	10	6x8	1.68	1.40	1.27	1.18	1.12
871-A71-H10X	B88069X3820S102	A	1000	1300	1400	20	10	7.9x8	1.89	1.57	1.49	1.35	1.26
871-A71-H25X	B88069X2190S102	A	2500	3900	4000	20	2.5	7.9x8	1.89	1.57	1.49	1.35	1.26
871-A71-A45X	B88069X2590S102	A	4500	5800	6000	20	2.5	7.9x8	3.66	2.93	2.66	2.42	2.23
871-L71-A270X	B88069X2030S102	A	230 ~ 338	500	550	22	5	7.9x8	3.51	2.92	2.75	2.49	2.34
871-L71-A470X	B88069X2010S102	A	400 ~ 588	700	800	22	5	7.9x8	3.51	2.92	2.75	2.49	2.34
871-L71-A800X	B88069X2040S102	A	680 ~ 1000	1100	1200	22	5	7.9x8	3.51	2.92	2.75	2.49	2.34

3-POLE GAS DISCHARGE TUBES

Features:

- Standard size
- Fast response time
- Very high current rating
- Stable performance over life

- Very low capacitance
- High insulation resistance
- RoHS-compatible

Applications:

- Line protection
- Station protection
- Base stations



For quantities of 200 and up, call for quote.

MOUSER STOCK NO.	Epcos Part No.	Fig.	DC Sparkover Voltage	Impulse Sparkover Voltage (100volts/ μ s)	Impulse Sparkover Voltage (1000volts/ μ s)	Arc Voltage @ 1 Amp	Single Impulse Discharge Current (KA/820 μ s)	Dimensions (LxD mm)	Price Each				
									1	10	25	50	100
871-T83-A90X	B88069X8300B502	B	90	400	450	10	10	10x8	2.46	2.05	1.64	1.43	1.35
871-T83-A230X	B88069X8740B502	B	230	400	500	10	25	10x8	2.46	2.05	1.64	1.43	1.35
871-T61-C350X	B88069X7700B102	B	400	800	900	35	20	11.5x8.3	4.32	3.60	3.25	2.99	2.88

ADVANCED THERMOFUSE VARISTORS

Features:

- Overvoltage protection with integrated thermal fuse
- Suitable for use in industrial and household appliance applications



For quantities of 1000 and up, call for quote.

MOUSER STOCK NO.	Epcos Part No.	Fig.	AC Operating Voltage (Max VAC)	DC Operating Voltage (Max VDC)	Surge Current 8/20 μ s (A)	Energy Absorption (2ms)	Average Power Dissipation (W)	Price Each				
								1	25	100	250	500
871-ETFV14K130E2	ETFV14K130E2	C	130	170	6000	50	0.6	1.88	1.76	1.67	1.57	1.13
871-ETFV14K150E2	ETFV14K150E2	C	150	200	6000	60	0.6	1.88	1.76	1.67	1.57	1.13
871-ETFV14K175E2	ETFV14K175E2	C	175	225	6000	70	0.6	1.88	1.76	1.67	1.57	1.13
871-ETFV14K275E2	ETFV14K275E2	C	275	350	6000	110	0.6	1.88	1.76	1.67	1.57	1.13
871-ETFV14K320E2	ETFV14K320E2	C	320	420	6000	136	0.6	1.88	1.76	1.67	1.57	1.13
871-ETFV14K420E2	ETFV14K420E2	C	420	560	6000	136	0.6	1.84	1.72	1.64	1.57	1.13
871-ETFV20K130E2	ETFV20K130E2	D	130	170	10000	100	1	3.04	2.90	2.67	2.53	1.93
871-ETFV20K150E2	ETFV20K150E2	D	150	200	10000	120	1	3.04	2.90	2.67	2.53	1.93
871-ETFV20K175E2	ETFV20K175E2	D	175	225	10000	135	1	3.04	2.90	2.67	2.53	1.93
871-ETFV20K275E2	ETFV20K275E2	D	275	350	10000	215	1	3.04	2.90	2.67	2.53	1.93
871-ETFV20K320E2	ETFV20K320E2	D	320	420	10000	273	1	3.04	2.90	2.67	2.53	1.93
871-ETFV20K420E2	ETFV20K420E2	D	420	560	10000	273	1	3.02	2.76	2.61	2.52	1.83
871-ETFV25K130E4	ETFV25K130E4	E	130	170	20000	185	1	4.54	4.23	3.99	3.78	3.16
871-ETFV25K150E4	ETFV25K150E4	E	150	200	20000	215	1	4.54	4.23	3.99	3.78	3.16
871-ETFV25K175E4	ETFV25K175E4	E	175	225	20000	245	1	4.54	4.23	3.99	3.78	3.16
871-ETFV25K275E4	ETFV25K275E4	E	275	350	20000	375	1	4.54	4.23	3.99	3.78	3.16
871-ETFV25K320E4	ETFV25K320E4	E	320	420	20000	445	1	4.54	4.23	3.99	3.78	3.16
871-ETFV25K420E4	ETFV25K420E4	E	420	560	20000	700	1	4.55	4.21	4.03	3.78	2.71

