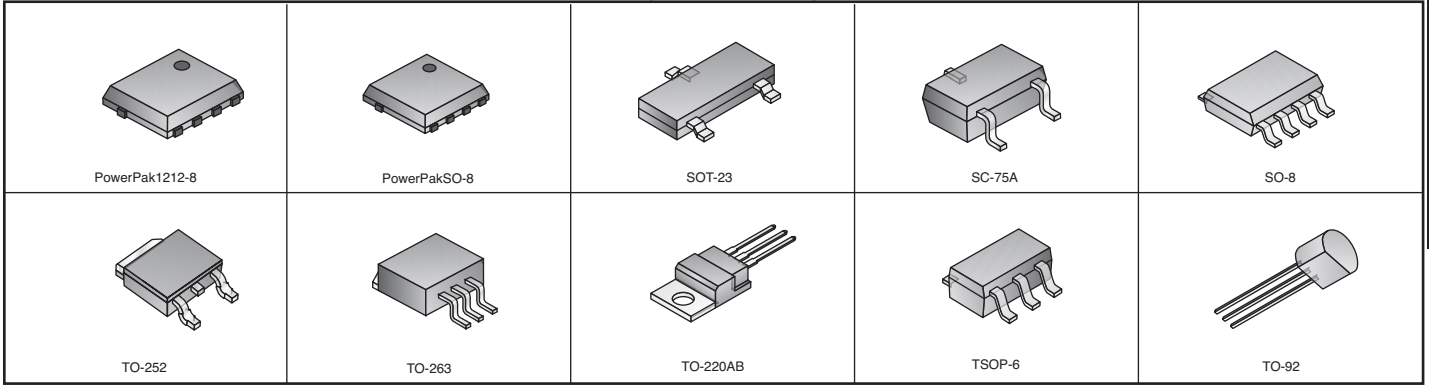


# SILICONIX MOSFET Transistors

RoHS Compliant This product is RoHS compliant.



◆ Surface Mount Device

## N-CHANNEL TRENCHFET MOSFETS (SINGLE CONFIGURATION) CONT.

NEW FROM SUPPLIER

For quantities of 2000 and up, call for quote.

MOUSER STOCK NO.	Siliconix Part No.	Package	V <sub>DS</sub> (Max)(V)	I <sub>D</sub> (Max)(A)	I <sub>DM</sub> (Max)(A)	R <sub>DS(on)</sub> Max (Ω) @				P <sub>D</sub> (Max)(W)	Price Each						
						V <sub>GS</sub> =10V					V <sub>GS</sub> =4.5V	V <sub>GS</sub> =2.5V	V <sub>GS</sub> =1.8V	1	100	500	1000
						V <sub>GS</sub> =10V	V <sub>GS</sub> =4.5V	V <sub>GS</sub> =2.5V	V <sub>GS</sub> =1.8V								
◆ 781-SI4154DY-GE3	SI4154DY-T1-GE3	SO-8	40	36	70	0.0033	0.0039	-----	-----	7.8	.90	.73	.69	.62			
◆ 781-SIR414DP-GE3	SIR414DP-T1-GE3	PowerPakSO-8	40	50	70	0.0028	0.0032	-----	-----	83	1.10	.89	.84	.76			
◆ 781-SIR416DP-GE3	SIR416DP-T1-GE3	PowerPakSO-8	40	50	70	0.0038	0.0042	-----	-----	69	.82	.66	.62	.57			
◆ 781-SI7884BP-E3	SI7884BP-T1-E3	PowerPakSO-8	40	58	50	0.0062	0.0073	-----	-----	46	2.31	1.87	1.76	1.54			
◆ 781-SIR470DP-T1-GE3	SIR470DP-T1-GE3	PowerPakSO-8	40	60	100	0.0023	0.00265	-----	-----	104	2.15	1.73	1.63	1.48			
◆ 781-SUP85N04-03-E3	SUP85N04-03-E3	TO-220AB	40	85	240	0.0035	0.0053	-----	-----	250	6.09	4.93	4.64	4.21			
◆ 781-SUM110N04-04-E3	SUM110N04-04-E3	TO-263	40	110	350	0.0035	-----	-----	-----	250	3.95	3.20	2.66	2.43			
◆ 781-SUD25N04-25-E3	SUD25N04-25-E3	TO-252	45	25	50	0.0250	0.0400	-----	-----	33	1.34	1.09	1.02	.93			
◆ 781-2N7002K-E3	2N7002K-T1-E3	SOT-23	60	0.3	0.8	2.0000	4.0000	-----	-----	0.35	.21	.11	.09	.075			
◆ 781-SI1022R-E3	SI1022R-T1-E3	SC-75A	60	0.33	0.65	1.2500	3.0000	-----	-----	0.25	.34	.24	.20	.18			
◆ 781-2N7000KL-E3	2N7000KL-TR1-E3	TO-92	60	0.47	1.0	2.0000	4.0000	-----	-----	0.8	.28	.23	.22	.20			
◆ 781-SI3458DV-E3	SI3458DV-T1-E3	TSOP-6	60	3.2	15	0.1000	0.1300	-----	-----	2.0	.92	.75	.70	.64			
◆ 781-SQ7414EN-T1-E3	SQ7414EN-T1-E3	PowerPak 1212-8	60	5.6	30	0.0250	-----	-----	-----	1.5	1.32	1.07	1.01	.91			
◆ 781-SI4850EY-T1-E3	SI4850EY-T1-E3	SO-8	60	8.5	40	0.0220	0.0310	-----	-----	1.7	1.24	1.05	.99	.899			
◆ 781-SI7414DN-E3	SI7414DN-T1-E3	PowerPak 1212-8	60	8.7	30	0.0250	0.0360	-----	-----	3.8	1.40	1.19	1.12	1.02			
◆ 781-SI7120DN-T1-E3	SI7120DN-T1-E3	PowerPak 1212-8	60	10	40	0.0190	0.0280	-----	-----	3.8	1.50	1.33	1.26	1.17			
◆ 781-SI7850DP-E3	SI7850DP-T1-E3	PowerPakSO-8	60	10.3	40	0.0220	0.0310	-----	-----	1.8	1.60	1.36	1.28	1.16			
◆ 781-SI4470EY-T1-E3	SI4470EY-T1-E3	SO-8	60	12.7	50	0.0110	0.0110 @ 6V	-----	-----	1.85	2.24	1.90	1.79	1.57			
◆ 781-SI7370DP-T1-E3	SI7370DP-T1-E3	PowerPakSO-8	60	15.8	50	0.0110	0.013 @ 6V	-----	-----	1.9	2.20	1.87	1.76	1.60			
◆ 781-SI7460DP-T1-E3	SI7460DP-T1-E3	PowerPakSO-8	60	18	40	0.0096	0.012	-----	-----	5.4	2.14	1.73	1.63	1.48			
◆ 781-SI7478DP-T1-E3	SI7478DP-T1-E3	PowerPakSO-8	60	20	60	0.0075	0.0088	-----	-----	5.4	3.13	2.67	2.45	1.82			
◆ 781-SUD50N06-09L-E3	SUD50N06-09L-E3	TO-252	60	50	100	0.0093	0.0122	-----	-----	136	2.50	2.13	2.00	1.81			
◆ 781-SUB60N06-18-E3	SUB60N06-18-E3	TO-263	60	60	120	0.0180	-----	-----	-----	120	5.53	4.47	4.21	3.81			
◆ 781-SUP60N06-18-E3	SUP60N06-18-E3	TO-220AB	60	60	120	0.0180	-----	-----	-----	120	3.93	3.18	2.99	2.71			
◆ 781-SUP75N06-08-E3	SUP75N06-08-E3	TO-220AB	60	75	240	0.0080	-----	-----	-----	250	5.04	4.28	4.03	3.65			
◆ 781-SUM90N06-4M4P-E3	SUM90N06-4M4P-E3	TO-263	60	90	240	0.0036	-----	-----	-----	300	2.54	2.06	1.94	1.75			
◆ 781-SUP90N06-5M0P-E3	SUP90N06-5M0P-E3	TO-220AB	60	90	240	0.0041	0.0068	-----	-----	300	2.85	2.41	2.25	2.20			
◆ 781-SIE876DF-GE3	SIE876DF-T1-GE3	PolarPak	60	110	60	0.0061	-----	-----	-----	125	2.18	1.77	1.66	1.51			
◆ 781-SI7148DP-T1-E3	SI7148DP-T1-E3	PowerPakSO-8	75	28	60	0.0110	0.0145	-----	-----	96	2.11	1.59	1.47	1.37			
◆ 781-SUM90N08-4M8P-E3	SUM90N08-4M8P-E3	TO-263	75	90	240	0.0048	0.006 @ 8V	-----	-----	300	4.31	3.56	3.40	2.98			
◆ 781-SI4480DY-T1-E3	SI4480DY-T1-E3	SO-8	80	6.0	40	0.0350	0.04 @ 6V	-----	-----	2.5	1.52	1.30	1.22	1.11			
◆ 781-SI4896DY-T1-E3	SI4896DY-T1-E3	SO-8	80	9.5	50	0.0165	0.022 @ 6V	-----	-----	1.56	1.68	1.43	1.35	1.22			
◆ 781-SI7852DP-E3	SI7852DP-T1-E3	PowerPakSO-8	80	12.5	7.6	0.0165	0.022 @ 6V	-----	-----	1.9	2.48	2.11	1.98	1.69			
◆ 781-SUD40N08-16-E3	SUD40N08-16-E3	TO-252	80	40	60	0.0160	-----	-----	-----	136	4.21	3.41	3.21	2.91			
◆ 781-SI4100DY-E3	SI4100DY-T1-E3	SO-8	100	6.8	20	0.0510	0.069 @ 6V	-----	-----	6.0	.80	.65	.61	.55			
◆ 781-SI7454DP-E3	SI7454DP-T1-E3	PowerPakSO-8	100	7.8	30	0.0340	0.04 @ 6V	-----	-----	4.8	1.78	1.52	1.43	1.29			
◆ 781-SI7456DP-E3	SI7456DP-T1-E3	PowerPakSO-8	100	9.3	40	0.0250	0.028 @ 6V	-----	-----	1.6	1.82	1.55	1.46	1.32			
◆ 781-SUD40N10-25-E3	SUD40N10-25-E3	TO-252	100	40	70	0.0250	0.0280	-----	-----	136	2.64	2.24	2.11	1.91			
◆ 781-SUM40N10-30-E3	SUM40N10-30-E3	TO-263	100	40	75	0.0300	0.034 @ 6V	-----	-----	107	1.47	1.26	1.18	1.07			
◆ 781-SUM47N10-24L-E3	SUM47N10-24L-E3	TO-263	100	47	70	0.0240	0.0600	-----	-----	136	2.08	1.68	1.58	1.44			
◆ 781-SUM60N10-17-E3	SUM60N10-17-E3	TO-263	100	60	100	0.0165	0.019 @ 6V	-----	-----	150	3.19	2.58	2.43	2.20			
◆ 781-SUP85N10-10-E3	SUP85N10-10-E3	TO-220AB	100	85	240	0.0105	0.0012	-----	-----	250	4.76	4.05	3.81	3.46			
◆ 781-SUM110N10-09-E3	SUM110N10-09-E3	TO-263	100	110	440	0.0095	-----	-----	-----	375	4.02	3.42	3.22	2.92			
◆ 781-SI3440DV-E3	SI3440DV-T1-E3	TSOP-6	150	1.5	6.0	0.3750	0.4000	-----	-----	2.0	1.03	.83	.78	.71			
◆ 781-SI4848DY-T1-E3	SI4848DY-T1-E3	SO-8	150	3.7	25	0.0850	0.095 @ 6V	-----	-----	1.5	.99	.80	.75	.634			
◆ 781-SI7898DP-T1-E3	SI7898DP-T1-E3	SO-8	150	4.8	25	0.0850	0.095 @ 6V	-----	-----	1.9	1.51	1.22	1.15	1.03			
◆ 781-SI4488DY-T1-E3	SI4488DY-T1-E3	SO-8	150	5.0	50	0.0500	-----	-----	-----	1.56	2.39	1.94	1.82	1.10			
◆ 781-SI7846DP-E3	SI7846DP-T1-E3	PowerPakSO-8	150	6.7	50	0.0500	-----	-----	-----	5.2	2.60	2.21	2.08	1.66			
◆ 781-SI4472DY-T1-E3	SI4472DY-T1-E3	SO-8	150	7.7	50	0.0450	0.047 @ 8V	-----	-----	5.9	2.60	2.11	1.98	1.79			
◆ 781-SUD15N15-95-E3	SUD15N15-95-E3	TO-252	150	15	25	0.0950	0.1 @ 6V	-----	-----	62	2.12	1.80	1.70	1.54			
◆ 781-SUM23N15-73-E3	SUM23N15-73-E3	TO-263	150	23	35	0.0730	0.077 @ 6V	-----	-----	100	2.60	2.23	2.10	1.89			
◆ 781-SUD25N15-52-E3	SUD25N15-52-E3	TO-252	150	25	50	0.0520	0.06 @ 6V	-----	-----	136	1.78	1.52	1.43	1.29			
◆ 781-SUM40N15-38-E3	SUM40N15-38-E3	TO-263	150	40	80	0.0380	0.042 @ 6V	-----	-----	166	2.74	2.35	2.21	1.99			
◆ 781-SUM85N15-19-E3	SUM85N15-19-E3	TO-263	150	85	180	0.0190	-----	-----	-----	375	5.73	3.53	3.30	3.13			
◆ 781-SUP85N15-21-E3	SUP85N15-21-E3	TO-220AB	150	85	180	0.0210	-----	-----	-----	300	3.88	3.30	3.11	2.82			
◆ 781-SI4462DY-T1-E3	SI4462DY-T1-E3	SO-8	200	1.5	5.0	0.4800	0.51 @ 6V	-----	-----	2.5	1.63	1.10	.912	.722			
◆ 781-SI4464DY-T1-E3	SI4464DY-T1-E3	SO-8	200	2.2	8.0	0.2400	0.26 @ 6V	-----	-----	1.5	1.16	.98	.928	.84			
◆ 781-SI7820DN-T1-E3	SI7820DN-T1-E3	PowerPak 1212-8	200	2.6	10	0.2400	0.25 @ 6V	-----	-----	3.8	1.94	1.67	1.54	.871			
◆ 781-SI4490DY-T1-E3	SI4490DY-T1-E3	SO-8	200	4.0	40	0.0800	0.09 @ 6V	-----	-----	1.56	1.68	1.43	1.35	1.22			
◆ 781-SI7462DP-T1-E3	SI7462DP-T1-E3	PowerPakSO-8	200	4.1	12	0.1300	0.142 @ 6V	-----	-----	4.8	3.53	2.31	1.93	1.36			
◆ 781-SI7450DP-E3	SI7450DP-T1-E3	PowerPakSO-8	200	5.3	40	0.0800	0.09 @ 6V	-----	-----	5.2	1.94	1.65	1.56	1.41			
◆ 781-SUM09N20-270-E3	SUM09N20-270-E3	TO-263	200	9.0	10	0.2700	0.3 @ 6V	-----	-----	6.0	2.08	1.80	1.02	.99			
◆ 781-SUD19N20-90-E3	SUD19N20-90-E3	TO-252	200	19	40	0.0900	0.105 @ 6V	-----	-----	136	1.78	1.51	1.42	1.29			
◆ 781-SUM27N20-78-E3	SUM27N20-78-E3	TO-263	200	27	60	0.0780	0.205 @ 6V	-----	-----	150	2.75	2.23	1.65	1.55			
◆ 781-SUM33N20-60P-E3	SUM33N20-60P-E3	TO-263	200	33	80	0.0600	-----	-----	-----	156	2.60	2.11	1.73	1.60			
◆ 781-SUM36N20-54P-E3	SUM36N20-54P-E3	TO-263	200	36	80	0.0540	-----	-----	-----	166	2.84	2.43	2.29	2.06			
◆ 781-SUM65N20-30-E3	SUM65N20-30-E3	TO-263	200	65	140	0.0300	-----	-----	-----	375	4.38	3.72	3.50	3.18			
◆ 781-TN2404KL-E3	TN2404KL-TR1-E3	TO-92	240	0.3	1.4	4.0000	4.0000	6.0000	-----	0.8	.63	.51	.48	.44			
◆ 781-SI4434DY-T1-E3	SI4434DY-T1-E3	SO-8	250	3.0	30	0.1550	0.162 @ 6V	-----	-----	3.1	2.67	2.16	2.03	1.45			
◆ 781-SI7434DP-T1-E3	SI7434DP-T1-E3	PowerPakSO-8	250	3.8	40	0.1550	0.162 @ 6V	-----	-----	5.2	3.41	2.91	2.66	1.98			
◆ 781-SUD17N25-165-E3	SUD17N25-165-E3	TO-252	250	17	20	0.1650	-----	-----	-----	136	1.81	1.46	1.38	1.25			