

# VISHAY Rectifiers

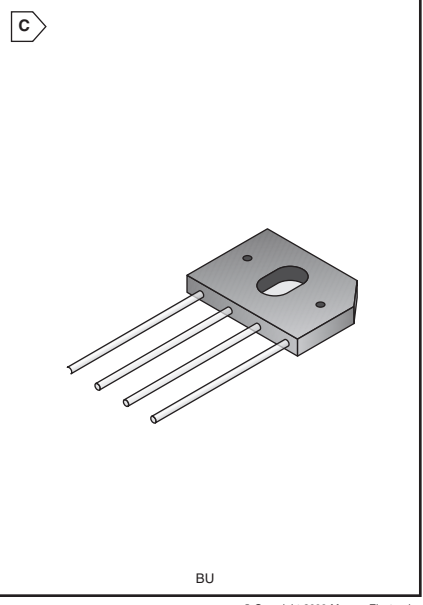
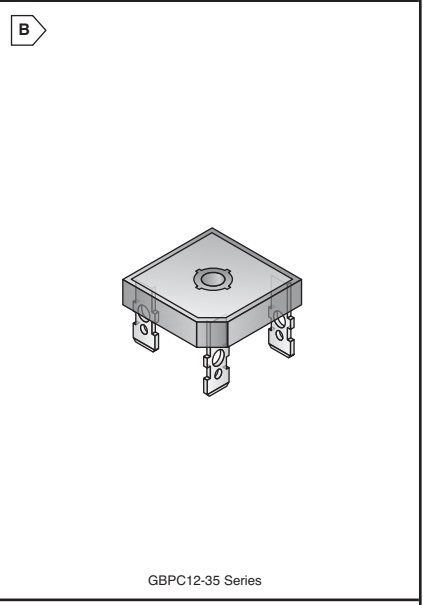
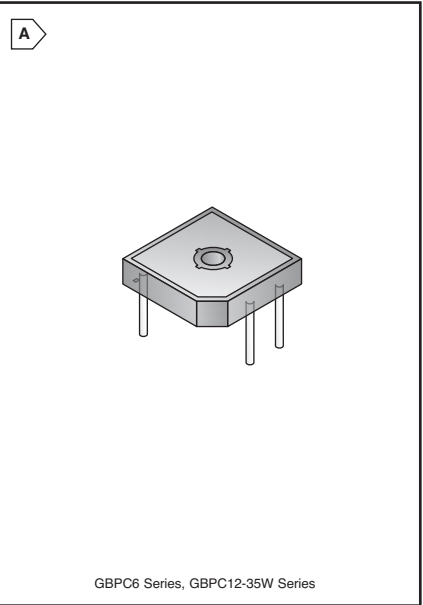


This product is RoHS compliant.

## VISHAY BRIDGE RECTIFIERS (CONT.)

For quantities of 2000 and up, call for quote.

MOUSER STOCK NO.	Vishay Part No.	Fig.	PRV (V)	IFM Surge (A)	Price Each			
					1	100	500	1000
<b>6.0 Amp - Thru-Hole</b>								
625-GBPC6005-E4	GBPC6005-E4/51	A	50	175	2.10	1.58	1.23	1.05
625-GBPC601-E4	GBPC601-E4/51	A	100	175	2.10	1.58	1.23	.981
625-GBPC602-E4	GBPC602-E4/51	A	200	175	2.10	1.58	1.23	1.05
625-GBPC604-E4	GBPC604-E4/51	A	400	175	2.10	1.58	1.23	1.05
625-GBPC606-E4	GBPC606-E4/51	A	600	175	2.10	1.58	1.23	1.05
625-GBPC608-E4	GBPC608-E4/51	A	800	175	2.10	1.58	1.23	1.05
625-GBPC610-E4	GBPC610-E4/51	A	1000	175	2.10	1.58	1.23	1.05
<b>12.0 Amp - Thru-Hole</b>								
625-GBPC12005-E4	GBPC12005-E4/51	B	50	200	4.72	3.54	2.75	2.36
625-GBPC1201-E4	GBPC1201-E4/51	B	100	200	4.72	3.54	2.75	2.36
625-GBPC1202-E4	GBPC1202-E4/51	B	200	200	4.72	3.54	2.75	2.36
625-GBPC1204-E4	GBPC1204-E4/51	B	400	200	4.72	3.54	2.75	2.36
625-GBPC1206-E4	GBPC1206-E4/51	B	600	200	4.72	3.54	2.75	2.36
625-GBPC1208-E4	GBPC1208-E4/51	B	800	200	4.72	3.54	2.75	2.36
625-GBPC1210-E4	GBPC1210-E4/51	B	1000	200	4.72	3.54	2.75	2.36
<b>25.0 Amp - Thru-Hole</b>								
625-GBPC25005-E4	GBPC25005-E4/51	B	50	300	4.72	3.54	2.75	2.36
625-GBPC25005W-E4	GBPC25005W-E4/51	A	50	300	4.72	3.54	2.75	2.36
625-GBPC2501-E4	GBPC2501-E4/51	B	100	300	4.72	3.54	2.75	2.36
625-GBPC2501W-E4	GBPC2501W-E4/51	A	100	300	4.72	3.54	2.75	2.36
625-GBPC2502-E4	GBPC2502-E4/51	B	200	300	4.72	3.54	2.75	2.20
625-GBPC2502W-E4	GBPC2502W-E4/51	A	200	300	4.72	3.54	2.75	2.36
625-GBPC2504-E4	GBPC2504-E4/51	B	400	300	4.72	3.54	2.75	2.36
625-GBPC2504W-E4	GBPC2504W-E4/51	A	400	300	4.72	3.54	2.75	2.36
625-GBPC2506-E4	GBPC2506-E4/51	B	600	300	4.72	3.54	2.75	2.36
625-GBPC2506W-E4	GBPC2506W-E4/51	A	600	300	4.72	3.14	2.75	2.36
625-GBPC2508-E4	GBPC2508-E4/51	B	800	300	4.50	3.54	2.73	2.36
625-GBPC2508W-E4	GBPC2508W-E4/51	A	800	300	4.72	3.54	2.75	2.36
625-GBPC2510-E4	GBPC2510-E4/51	B	1000	300	4.72	3.54	2.75	2.36
625-GBPC2510W-E4	GBPC2510W-E4/51	A	1000	300	4.72	3.54	2.75	2.36
<b>35.0 Amp - Thru-Hole</b>								
625-GBPC35005-E4	GBPC35005-E4/51	B	50	400	5.46	4.09	3.18	2.73
625-GBPC35005W-E4	GBPC35005W-E4/51	A	50	400	5.24	3.93	3.06	2.62
625-GBPC3501-E4	GBPC3501-E4/51	B	100	400	5.45	4.09	3.18	2.73
625-GBPC3501W-E4	GBPC3501W-E4/51	A	100	400	5.24	3.93	3.06	2.62
625-GBPC3502-E4	GBPC3502-E4/51	B	200	400	5.46	4.09	3.18	2.73
625-GBPC3502W-E4	GBPC3502W-E4/51	A	200	400	5.24	3.93	3.06	2.62
625-GBPC3504-E4	GBPC3504-E4/51	B	400	400	5.45	4.09	3.18	2.54
625-GBPC3504W-E4	GBPC3504W-E4/51	A	400	400	5.24	3.49	3.06	2.62
625-GBPC3506-E4	GBPC3506-E4/51	B	600	400	5.45	4.09	3.18	2.54
625-GBPC3506W-E4	GBPC3506W-E4/51	A	600	400	5.24	3.93	3.06	2.62
625-GBPC3508-E4	GBPC3508-E4/51	B	800	400	5.45	4.09	3.18	2.54
625-GBPC3508W-E4	GBPC3508W-E4/51	A	800	400	5.24	3.49	3.06	2.62
625-GBPC3510-E4	GBPC3510-E4/51	B	1000	400	5.45	4.09	3.18	2.54
625-GBPC3510W-E4	GBPC3510W-E4/51	A	1000	400	5.00	3.93	3.02	2.31



## VISHAY POWERBRIDGE™ RECTIFIERS

Optimal package choice for AC-to-DC rectification in switchmode power supplies for desktop PCs, servers, PDP TVs, LCD TVs, audio/video systems, and adaptors for notebook PCs and monitors; power inverters in home appliances; and primary rectification circuits for switchmode power supplies in telecommunication systems.

NEW FROM SUPPLIER

For quantities of 2000 and up, call for quote.

MOUSER STOCK NO.	Vishay Part No.	Fig.	PRV (V)	IFM Surge (A)	Price Each			
					1	100	500	1000
<b>10 Amp - Thru-Hole</b>								
625-BU1008A-E3	BU1008A-E3/45	C	800	90	1.53	1.15	.89	.77
625-BU1010A5S-E3	BU1010A5S-E3/45	C	1000	90	1.54	1.15	.90	.77
625-BU1010A-E3/51	BU1010A-E3/51	C	1000	90	1.53	1.15	.89	.77
625-BU10085S-E3	BU10085S-E3/45	C	800	120	1.60	1.20	.93	.80
<b>12 Amp - Thru-Hole</b>								
625-BU12085S-E3	BU12085S-E3/45	C	800	150	1.74	1.30	1.01	.87
625-BU1208-E3/51	BU1208-E3/51	C	800	150	1.79	1.34	1.04	.90
625-BU12105S-E3	BU12105S-E3/45	C	1000	150	1.88	1.41	1.10	.94
625-BU1210-E3/51	BU1210-E3/51	C	1000	150	1.74	1.30	1.01	.87
<b>15 Amp - Thru-Hole</b>								
625-BU15085S-E3	BU15085S-E3/45	C	800	200	1.96	1.47	1.14	.98
625-BU1508-E3/51	BU1508-E3/51	C	800	200	2.07	1.55	1.21	1.03
625-BU15105S-E3	BU15105S-E3/45	C	1000	200	2.17	1.63	1.27	1.09
625-BU1510-E3/51	BU1510-E3/51	C	1000	200	1.96	1.47	1.14	.98
<b>20 Amp - Thru-Hole</b>								
625-BU20085S-E3	BU20085S-E3/45	C	800	240	2.25	1.69	1.31	1.13
625-BU2008-E3/51	BU2008-E3/51	C	800	240	2.43	1.82	1.42	1.22
625-BU20105S-E3	BU20105S-E3/45	C	1000	240	2.55	1.92	1.49	1.28
625-BU2010-E3/51	BU2010-E3/51	C	1000	240	2.25	1.69	1.31	1.13
<b>25 Amp - Thru-Hole</b>								
625-BU25085S-E3	BU25085S-E3/45	C	800	300	2.49	1.87	1.45	1.25
625-BU2508-E3/51	BU2508-E3/51	C	800	300	2.66	1.99	1.55	1.33
625-BU25105S-E3	BU25105S-E3/45	C	1000	300	2.79	2.09	1.63	1.40
625-BU2510-E3/51	BU2510-E3/51	C	1000	300	2.49	1.87	1.45	1.25

