


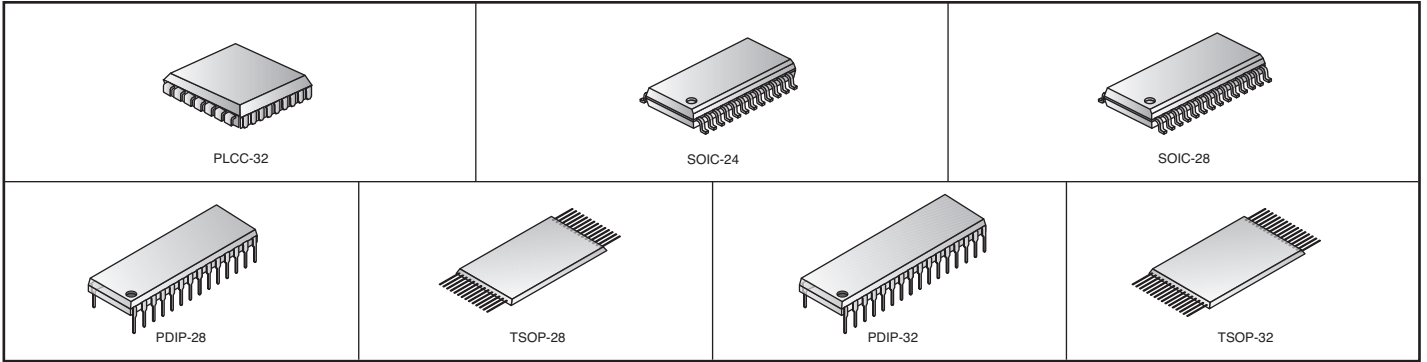
CATALYST Parallel EEPROMs

 This product is RoHS compliant.



Memory

Catalyst



CATALYST LOW POWER 5.0 VOLT PARALLEL EEPROMS

These are fast, low power, 5V-only CMOS Parallel EEPROMs organized as 2K x 8-bits, 8K x 8-bits, 32K x 8-bits or 64K x 8-bits. They require a simple interface for in-system programming. On-chip address and data latches, self-timed write cycle with auto-clear and VCC power up/down write protection eliminate additional timing and protection hardware. DATA Polling signals the start and end of the self-timed write cycle. They also feature hardware write protection. They are manufactured using Catalyst's advanced CMOS floating gate technology. They are designed to endure 10,000 program/erase cycles and has a data retention of 10 years.

Features:

- Fast read access times
- Low power CMOS dissipation
- Simple write operation: On-chip address and data latches Self-timed write cycle with auto-clear
- Fast write cycle time: 5ms max.
- CMOS and TTL compatible I/O
- Hardware and software write protection
- Automatic page write operation
- End of write detection
- 100,000 program/erase cycles
- 100 year data retention



RoHS Compliant

◆ Surface Mount

For quantities of 500 and up, call for quote.

MOUSER STOCK NO.	Catalyst Stock No.	Case Type	Density	Organization	Access Time (ns)	Temperature Range (°C)	Operating Voltage (V)	Price Each			
								1	25	100	250
◆ 698-CAT28C16AGI-90	CAT28C16AGI-90	PLCC-32	16K	2K x 8	90	-40 to +85	4.5 to 5.5	3.32	2.66	2.49	2.32
◆ 698-CAT28C16AWI-90	CAT28C16AWI-90	SOIC-24	16K	2K x 8	90	-40 to +85	4.5 to 5.5	3.62	2.90	2.72	2.53
◆ 698-CAT28C16AXI-90	CAT28C16AXI-90	SOIC-24	16K	2K x 8	90	-40 to +85	4.5 to 5.5	3.62	2.90	2.72	2.53
◆ 698-CAT28C16AG-20	CAT28C16AG-20	PLCC-32	16K	2K x 8	200	0 to 70	4.5 to 5.5	3.31	2.64	2.48	2.31
◆ 698-CAT28C16AGI-20	CAT28C16AGI-20	PLCC-32	16K	2K x 8	200	-40 to +85	4.5 to 5.5	3.31	2.64	2.48	2.32
◆ 698-CAT28C16AW-20	CAT28C16AW-20	SOIC-24	16K	2K x 8	200	0 to 70	4.5 to 5.5	3.31	2.64	2.48	2.32
◆ 698-CAT28C16AWI-20	CAT28C16AWI-20	SOIC-24	16K	2K x 8	200	-40 to +85	4.5 to 5.5	3.31	2.64	2.48	2.32
◆ 698-CAT28C16AX-20	CAT28C16AX-20	SOIC-24	16K	2K x 8	200	0 to 70	4.5 to 5.5	3.38	2.70	2.53	2.37
◆ 698-CAT28C16AXI-20	CAT28C16AXI-20	SOIC-24	16K	2K x 8	200	-40 to +85	4.5 to 5.5	3.38	2.70	2.54	2.36
◆ 698-CAT28C64BG-90	CAT28C64BG-90	PLCC-32	64K	8K x 8	90	0 to 70	4.5 to 5.5	3.74	3.00	2.81	2.62
◆ 698-CAT28C64BGI-90	CAT28C64BGI-90	PLCC-32	64K	8K x 8	90	-40 to +85	4.5 to 5.5	3.74	3.00	2.81	2.62
◆ 698-CAT28C64BW-90	CAT28C64BW-90	SOIC-28	64K	8K x 8	90	0 to 70	4.5 to 5.5	3.74	3.00	2.81	2.62
◆ 698-CAT28C64BWI-90	CAT28C64BWI-90	SOIC-28	64K	8K x 8	90	-40 to +85	4.5 to 5.5	3.76	3.01	2.82	2.63
◆ 698-CAT28C64BXI-90	CAT28C64BXI-90	SOIC-28	64K	8K x 8	90	-40 to +85	4.5 to 5.5	3.81	3.05	2.86	2.67
698-CAT28C64BL-90	CAT28C64BL-90	PDIP-28	64K	8K x 8	90	0 to 70	4.5 to 5.5	4.26	3.41	3.19	2.97
698-CAT28C64BLI-90	CAT28C64BLI-90	PDIP-28	64K	8K x 8	90	-40 to +85	4.5 to 5.5	4.26	3.41	3.19	2.97
698-CAT28C64BL-12	CAT28C64BL-12	PDIP-28	64K	8K x 8	120	0 to 70	4.5 to 5.5	4.26	3.41	3.20	2.97
698-CAT28C64BLI-12	CAT28C64BLI-12	PDIP-28	64K	8K x 8	120	-40 to +85	4.5 to 5.5	4.26	3.41	3.20	2.97
◆ 698-CAT28C64BG-12	CAT28C64BG-12	PLCC-32	64K	8K x 8	120	0 to 70	4.5 to 5.5	3.74	3.00	2.81	2.62
◆ 698-CAT28C64BGI-12	CAT28C64BGI-12	PLCC-32	64K	8K x 8	120	-40 to +85	4.5 to 5.5	3.74	3.00	2.81	2.62
◆ 698-CAT28C64BW-12	CAT28C64BW-12	SOIC-28	64K	8K x 8	120	0 to 70	4.5 to 5.5	3.74	3.00	2.81	2.62
◆ 698-CAT28C64BWI-12	CAT28C64BWI-12	SOIC-28	64K	8K x 8	120	-40 to +85	4.5 to 5.5	3.74	3.00	2.81	2.62
◆ 698-CAT28C64BX-12	CAT28C64BX-12	SOIC-28	64K	8K x 8	120	0 to 70	4.5 to 5.5	3.81	3.05	2.86	2.67
◆ 698-CAT28C64BXI-12	CAT28C64BXI-12	SOIC-28	64K	8K x 8	120	-40 to +85	4.5 to 5.5	3.81	3.05	2.86	2.67
◆ 698-CAT28C64BH13-12	CAT28C64BH13-12	TSOP-28	64K	8K x 8	120	0 to 70	4.5 to 5.5	4.89	3.92	3.68	3.42
698-CAT28C256L-12	CAT28C256L-12	PDIP-28	256K	32K x 8	120	0 to 70	4.5 to 5.5	6.10	4.88	4.57	4.27
698-CAT28C256LI-12	CAT28C256LI-12	PDIP-28	256K	32K x 8	120	-40 to +85	4.5 to 5.5	6.10	4.88	4.57	4.27
◆ 698-CAT28C256G-12	CAT28C256G-12	PLCC-32	256K	32K x 8	120	0 to 70	4.5 to 5.5	5.86	4.69	4.39	4.10
◆ 698-CAT28C256GI-12	CAT28C256GI-12	PLCC-32	256K	32K x 8	120	-40 to +85	4.5 to 5.5	5.86	4.69	4.39	4.10
◆ 698-CAT28C256H13-12	CAT28C256H13-12	TSOP-28	256K	32K x 8	120	0 to 70	4.5 to 5.5	7.01	5.61	5.26	4.91
◆ 698-CAT28C256H13I-12	CAT28C256H13I-12	TSOP-28	256K	32K x 8	120	-40 to +85	4.5 to 5.5	7.01	5.61	5.26	4.91
698-CAT28C256L-15	CAT28C256L-15	PDIP-28	256K	32K x 8	150	0 to 70	4.5 to 5.5	6.10	4.88	4.58	4.27
698-CAT28C256LI-15	CAT28C256LI-15	PDIP-28	256K	32K x 8	150	-40 to +85	4.5 to 5.5	6.10	4.88	4.58	4.27
◆ 698-CAT28C256G-15	CAT28C256G-15	PLCC-32	256K	32K x 8	150	0 to 70	4.5 to 5.5	5.86	4.69	4.40	4.10
◆ 698-CAT28C256GI-15	CAT28C256GI-15	PLCC-32	256K	32K x 8	150	-40 to +85	4.5 to 5.5	5.86	4.69	4.40	4.10
◆ 698-CAT28C256H13I-15	CAT28C256H13I-15	TSOP-28	256K	32K x 8	150	-40 to +85	4.5 to 5.5	7.01	5.61	5.26	4.91
698-CAT28C512LI-12	CAT28C512LI-12	PDIP-32	512K	64K x 8	120	-40 to +85	4.5 to 5.5	17.76	14.21	13.32	12.42
◆ 698-CAT28C512G-12	CAT28C512G-12	PLCC-32	512K	64K x 8	120	0 to 70	4.5 to 5.5	18.35	14.68	13.77	12.85
◆ 698-CAT28C512GI-12	CAT28C512GI-12	PLCC-32	512K	64K x 8	120	-40 to +85	4.5 to 5.5	18.35	14.68	13.76	12.84
◆ 698-CAT28C512H-12	CAT28C512H-12	TSOP-32	512K	64K x 8	120	0 to 70	4.5 to 5.5	19.50	15.59	14.63	13.65
◆ 698-CAT28C512HI-12	CAT28C512HI-12	TSOP-32	512K	64K x 8	120	-40 to +85	4.5 to 5.5	19.50	15.60	14.62	13.65
698-CAT28C512L-15	CAT28C512L-15	PDIP-32	512K	64K x 8	150	0 to 70	4.5 to 5.5	17.76	14.21	13.32	12.42
698-CAT28C512LI-15	CAT28C512LI-15	PDIP-32	512K	64K x 8	150	-40 to +85	4.5 to 5.5	17.76	14.20	13.32	12.43
◆ 698-CAT28C512G-15	CAT28C512G-15	PLCC-32	512K	64K x 8	150	0 to 70	4.5 to 5.5	18.35	14.68	13.77	12.84
◆ 698-CAT28C512GI-15	CAT28C512GI-15	PLCC-32	512K	64K x 8	150	-40 to +85	4.5 to 5.5	18.35	14.68	13.76	12.85

