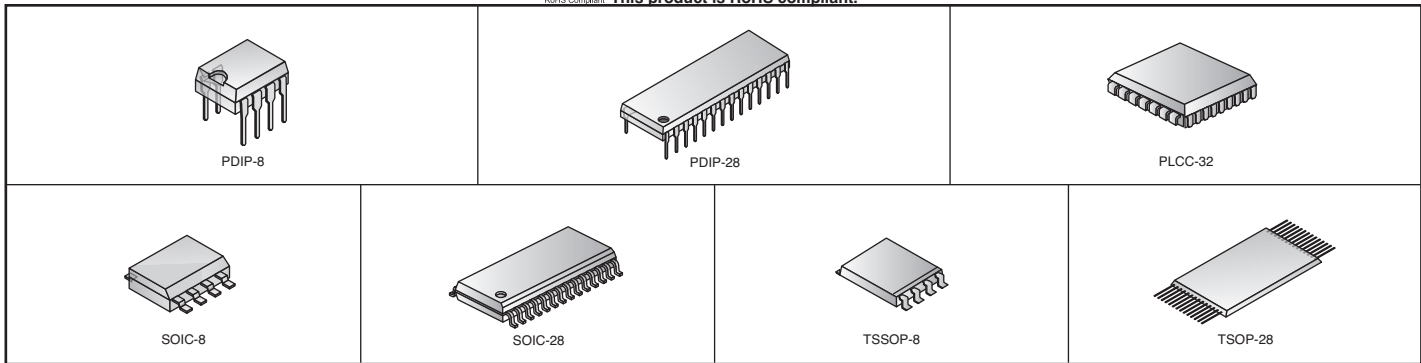


CATALYST Serial and Parallel EEPROMs



This product is RoHS compliant.



Memory
Catalyst

CATALYST SPI BUS WITH LOW STANDBY CURRENT (MOTOROLA COMPATIBLE)

These SPI Serial CMOS EEPROMs use Catalyst's advanced CMOS Technology that substantially reduces device power requirements. They operate via the SPI bus serial interface and is enabled through a Chip Select (CS). In addition to the Chip Select, the clock input (SCK), data in (SI) and data out (SO) are required to access the device. The HOLD pin may be used to suspend any serial communication without resetting the serial sequence.

Features:

- 10 MHz SPI compatible
- 1.8 to 5.5 volt operation
- Hardware and software protection
- Low power CMOS technology
- SPI modes (0.0 & 1.1)
- 1,000,000 program/erase cycles
- 100 year data retention
- Self-timed write cycle
- 16-byte page write buffer
- Block write protection – Protect 1/4, 1/2 or all of EEPROM array



RoHS Compliant

◆ Surface Mount

For quantities of 500 and up, call for quote.

MOUSER STOCK NO.	Catalyst Stock No.	Case Type	Density	Organization	Temperature Range (°C)	Operating Voltage (V)	Price Each			
							1	25	100	250
◆ 698-CAT25010LI-G	CAT25010LI-G	PDIP-8	1K	128 x 8	- 40 to + 85	1.8 to 5.5	.40	.32	.30	.28
◆ 698-CAT25010VI-G	CAT25010VI-G	SOIC-8	1K	128 x 8	- 40 to + 85	1.8 to 5.5	.36	.29	.27	.25
◆ 698-CAT25010YI-G	CAT25010YI-G	TSSOP-8	1K	128 x 8	- 40 to + 85	1.8 to 5.5	.36	.29	.27	.25
◆ 698-CAT25020LI-G	CAT25020LI-G	PDIP-8	2K	256 x 8	- 40 to + 85	1.8 to 5.5	.46	.37	.35	.32
◆ 698-CAT25020VI-G	CAT25020VI-G	SOIC-8	2K	256 x 8	- 40 to + 85	1.8 to 5.5	.42	.34	.32	.29
◆ 698-CAT25020YI-G	CAT25020YI-G	TSSOP-8	2K	256 x 8	- 40 to + 85	1.8 to 5.5	.29	.23	.225	.204
◆ 698-CAT25040LI-G	CAT25040LI-G	PDIP-8	4K	512 x 8	- 40 to + 85	1.8 to 5.5	.52	.42	.39	.36
◆ 698-CAT25040VI-G	CAT25040VI-G	SOIC-8	4K	512 x 8	- 40 to + 85	1.8 to 5.5	.48	.38	.36	.34
◆ 698-CAT25040YI-G	CAT25040YI-G	TSSOP-8	4K	512 x 8	- 40 to + 85	1.8 to 5.5	.48	.38	.36	.34
◆ 698-CAT25080LI-G	CAT25080LI-G	PDIP-8	8K	1024 x 8	- 40 to + 85	1.8 to 5.5	.52	.42	.39	.36
◆ 698-CAT25080VI-G	CAT25080VI-G	SOIC-8	8K	1024 x 8	- 40 to + 85	1.8 to 5.5	.48	.38	.36	.34
◆ 698-CAT25080YI-G	CAT25080YI-G	TSSOP-8	8K	1024 x 8	- 40 to + 85	1.8 to 5.5	.48	.38	.36	.34
◆ 698-CAT25160LI-G	CAT25160LI-G	PDIP-8	16K	2048 x 8	- 40 to + 85	1.8 to 5.5	.56	.45	.42	.39
◆ 698-CAT25160VI-G	CAT25160VI-G	SOIC-8	16K	2048 x 8	- 40 to + 85	1.8 to 5.5	.52	.42	.39	.36
◆ 698-CAT25160YI-G	CAT25160YI-G	TSSOP-8	16K	2048 x 8	- 40 to + 85	1.8 to 5.5	.52	.42	.39	.36
◆ 698-CAT25320LI-G	CAT25320LI-G	PDIP-8	32K	4096 x 8	- 40 to + 85	1.8 to 5.5	.78	.62	.59	.55
◆ 698-CAT25320VI-G	CAT25320VI-G	SOIC-8	32K	4096 x 8	- 40 to + 85	1.8 to 5.5	.74	.59	.56	.52
◆ 698-CAT25128VI-G	CAT25128VI-G	SOIC-8	128K	16384 x 8	- 40 to + 85	2.5 to 5.5	.81	.65	.608	.566

CATALYST LOW VOLTAGE, LOW POWER 3.3 VOLT PARALLEL EEPROMS

These low voltage, low power, CMOS parallel EEPROMs organized as 8K x 8-bits or 32K x 8-bits. They require a simple interface for in-system programming. On-chip address and data latches, self-timed write cycle with autolear and VCC power up/down write protection eliminate additional timing and protection hardware. DATA Polling and Toggle status bit signal the start and end of the selftimed write cycle. Additionally, they feature hardware and software write protection. They are manufactured using Catalyst's advanced CMOS floating gate technology. It is designed to endure 100,000 program/erase cycles and has a data retention of 100 years.

Features:

- 3.0V to 3.6V Supply
- Low Power CMOS Dissipation
- Simple Write Operation: On-Chip Address and Data Latches
- Self-Timed Write Cycle with Auto-Clear
- Fast Write Cycle Time
- CMOS and TTL Compatible I/O
- Automatic Page Write Operation
- End of Write Detection
- Hardware and Software Write Protection
- 100,000 Program/Erase Cycles
- 100 Year Data Retention



RoHS Compliant

◆ Surface Mount

For quantities of 500 and up, call for quote.

MOUSER STOCK NO.	Catalyst Stock No.	Case Type	Density	Organization	Access Time (ns)	Temperature Range (°C)	Operating Voltage (V)	Price Each			
								1	25	100	250
◆ 698-CAT28LV64L-20	CAT28LV64L-20	PDIP-28	64K	8K x 8	200	0 to 70	3.0 to 3.6	5.70	4.55	4.27	3.99
◆ 698-CAT28LV65L-20	CAT28LV65L-20	PDIP-28	64K	8K x 8	200	0 to 70	3.0 to 3.6	5.70	4.55	4.27	3.99
◆ 698-CAT28LV65LI-20	CAT28LV65LI-20	PDIP-28	64K	8K x 8	200	-40 to +85	3.0 to 3.6	5.70	4.56	4.28	3.99
◆ 698-CAT28LV64G-20	CAT28LV64G-20	PLCC-32	64K	8K x 8	200	0 to 70	3.0 to 3.6	5.40	4.32	4.05	3.78
◆ 698-CAT28LV65G-20	CAT28LV65G-20	PLCC-32	64K	8K x 8	200	0 to 70	3.0 to 3.6	5.40	4.32	4.05	3.78
◆ 698-CAT28LV65W-20	CAT28LV65W-20	SOIC-28	64K	8K x 8	200	0 to 70	3.0 to 3.6	5.40	4.32	4.05	3.78
◆ 698-CAT28LV64H13-20	CAT28LV64H13-20	TSOP-28	64K	8K x 8	200	0 to 70	3.0 to 3.6	6.55	5.24	4.92	4.59
◆ 698-CAT28LV64H13I-20	CAT28LV64H13I-20	TSOP-28	64K	8K x 8	200	-40 to +85	3.0 to 3.6	6.55	5.24	4.91	4.58
◆ 698-CAT28LV64L-25	CAT28LV64L-25	PDIP-28	64K	8K x 8	250	0 to 70	3.0 to 3.6	5.70	4.56	4.28	3.98
◆ 698-CAT28LV64LI-25	CAT28LV64LI-25	PDIP-28	64K	8K x 8	250	-40 to +85	3.0 to 3.6	5.70	4.56	4.28	3.98
◆ 698-CAT28LV65L-25	CAT28LV65L-25	PDIP-28	64K	8K x 8	250	0 to 70	3.0 to 3.6	5.70	4.56	4.28	3.98
◆ 698-CAT28LV65LI-25	CAT28LV65LI-25	PDIP-28	64K	8K x 8	250	-40 to +85	3.0 to 3.6	5.70	4.56	4.28	3.98
◆ 698-CAT28LV64G-25	CAT28LV64G-25	PLCC-32	64K	8K x 8	250	0 to 70	3.0 to 3.6	5.40	4.32	4.06	3.77
◆ 698-CAT28LV64GI-25	CAT28LV64GI-25	PLCC-32	64K	8K x 8	250	-40 to +85	3.0 to 3.6	5.40	4.32	4.06	3.78
◆ 698-CAT28LV65G-25	CAT28LV65G-25	PLCC-32	64K	8K x 8	250	0 to 70	3.0 to 3.6	5.40	4.32	4.06	3.77
◆ 698-CAT28LV65GI-25	CAT28LV65GI-25	PLCC-32	64K	8K x 8	250	-40 to +85	3.0 to 3.6	5.40	4.32	4.06	3.78
◆ 698-CAT28LV65W-25	CAT28LV65W-25	SOIC-28	64K	8K x 8	250	0 to 70	3.0 to 3.6	5.40	4.32	4.06	3.78
◆ 698-CAT28LV64H13I-25	CAT28LV64H13I-25	TSOP-28	64K	8K x 8	250	0 to 70	3.0 to 3.6	6.55	5.25	4.91	4.58
◆ 698-CAT28LV256L-25	CAT28LV256L-25	PDIP-28	256K	32K x 8	250	0 to 70	3.0 to 3.6	8.02	6.41	6.02	5.61
◆ 698-CAT28LV256LI-25	CAT28LV256LI-25	PDIP-28	256K	32K x 8	250	-40 to +85	3.0 to 3.6	8.02	6.41	6.02	5.61
◆ 698-CAT28LV256G-25	CAT28LV256G-25	PLCC-32	256K	32K x 8	250	0 to 70	3.0 to 3.6	8.07	6.45	6.06	5.65
◆ 698-CAT28LV256GI-25	CAT28LV256GI-25	PLCC-32	256K	32K x 8	250	-40 to +85	3.0 to 3.6	8.07	6.45	6.06	5.65
◆ 698-CAT28LV256H13I25	CAT28LV256H13I25	TSOP-28	256K	32K x 8	250	-40 to +85	3.0 to 3.6	9.22	7.37	6.91	6.46

