

ZILOG Encore!™ XP Microcontrollers



Products may be RoHS compliant.
Check mouser.com for RoHS status.

MCU / MPU / DSP

ZILOG DEVELOPMENT TOOLS

MOUSER STOCK NO.	Zilog Part No.	Description	Price Each
692-ZGP32300100ZPR	ZGP32300100ZPR	Z8 GP ZGP323 Programming System (Includes an OTP program module, program I/F, 2 package adapters, the ZDS II, a 28-pin CDIP device, and sample code)	99.00

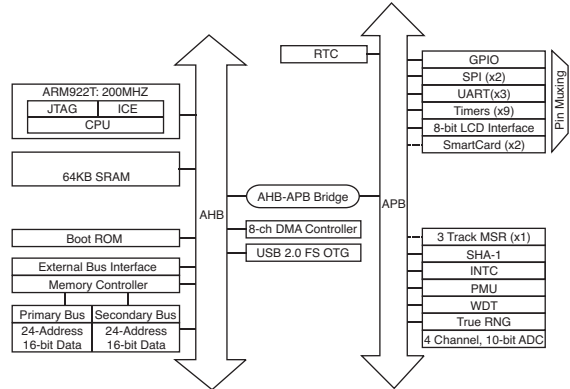
Zilog

ZILOG ENCORE! 32™ SERIES MICROCONTROLLER

The Encore! 32 Series Microcontroller is suitable for a wide range of embedded applications including access control, time and attendance tracker/reader, home and office monitoring and control, multi-media control, cell phones, GPS, platform OS based devices, digital still cameras, and universal remote controls.

Features:

- ARM922T™ core
- 64 KB embedded SRAM
- LCD Interface
- USB full speed controller On-the-Go (OTG)
- Up to 76 General-Purpose Input/Output (GPIO)
- Highly configurable memory controller for SRAM, ROM, Flash and standard PC100/133 SDRAM



MOUSER STOCK NO.	Description	Price Each		
		1	25	100
692-Z32AN00NW200SG	32-bit ARM9 integrated microcontroller	14.65	11.76	9.40

ZILOG Z8 ENCORE!™ XP MICROCONTROLLERS

Specifications:

- Each Z8 Encore! Microcontroller contains the following: Watchdog Timers, Analog Comparator, Temp. Sensor, Current Sense Amplifier, and Internal Precision Oscillator
- Core Speed: 20MHz
- Voltage: 2.7 to 3.6V
- UARTs: 1
- 2 16-bit Timers with PWMs

Features:	Benefits
20MHz CPU Operation	Faster execution of CPU instructions at up to 10 MIPS
Single pin in-circuit programming	Fast, easy programming
1K - 4K Flash memory sizes	Allows efficiency in program memory
Up to 8 channel 10-bit ADC	Precision analog measurement
Up to 128B non-volatile data storage	Location for frequent or repetitive logging
Up to 1K RAM	Plenty of space for programs, stacks, and data
Internal Precision Oscillator	Eliminates need for crystal or resonator
On-chip Temperature Sensor	Thermostat applications with no external components
Analog Comparator	On-chip saving space
Transimpedance Amplifier	On-chip OPAMP
WDT with "fail-safe"	Back up oscillator for power fail



RoHS Compliant

◆ Surface Mount Device

For quantities of 1000 and up, call for quote.

MOUSER STOCK NO.		Package	Flash Bytes	RAM Bytes	NVDS Bytes	I/O Lines	Interrupts	10-bit A/D Channels	Temperature Range (°C)	Price Each		
Mfr.	Mfr. Part Number									1	25	100
◆	692-Z8F012ASJ020SG	SOIC-28	1K	256	16	23	18	8	0 to 70	1.88	1.72	1.57
◆	692-Z8F012ASJ020EG	SOIC-28	1K	256	16	23	18	8	-40 to 105	2.08	1.90	1.73
◆	692-Z8F011ASJ020SG	SOIC-28	1K	256	16	25	18	-	0 to 70	1.80	1.64	1.50
◆	692-Z8F011ASJ020EG	SOIC-28	1K	256	16	25	18	-	-40 to 105	1.99	1.82	1.66
◆	692-Z8F012AHJ020SG	SSOP-28	1K	256	16	23	18	8	0 to 70	1.88	1.72	1.57
◆	692-Z8F012AHJ020EG	SSOP-28	1K	256	16	23	18	8	-40 to 105	2.08	1.90	1.73
◆	692-Z8F011AHJ020SG	SSOP-28	1K	256	16	25	18	-	0 to 70	1.80	1.64	1.50
◆	692-Z8F011AHJ020EG	SSOP-28	1K	256	16	25	18	-	-40 to 105	1.99	1.82	1.66
◆	692-Z8F012APJ020SG	PDIP-28	1K	256	16	23	18	8	0 to 70	2.05	1.88	1.71
◆	692-Z8F012APJ020EG	PDIP-28	1K	256	16	23	18	8	-40 to 105	2.27	2.06	1.89
◆	692-Z8F011APJ020SG	PDIP-28	1K	256	16	25	18	-	0 to 70	1.97	1.79	1.64
◆	692-Z8F011APJ020EG	PDIP-28	1K	256	16	25	18	-	-40 to 105	2.17	1.99	1.81
◆	692-Z8F012ASH020SG	SOIC-20	1K	256	16	17	18	7	0 to 70	1.88	1.72	1.57
◆	692-Z8F012ASH020EG	SOIC-20	1K	256	16	17	18	7	-40 to 105	2.08	1.90	1.73
◆	692-Z8F011ASH020SG	SOIC-20	1K	256	16	17	18	-	0 to 70	1.80	1.64	1.50
◆	692-Z8F011ASH020EG	SOIC-20	1K	256	16	17	18	-	-40 to 105	1.99	1.82	1.66
◆	692-Z8F012AHH020SG	SSOP-20	1K	256	16	17	18	7	0 to 70	1.88	1.72	1.57
◆	692-Z8F012AHH020EG	SSOP-20	1K	256	16	17	18	7	-40 to 105	2.08	1.90	1.73
◆	692-Z8F011AHH020SG	SSOP-20	1K	256	16	17	18	-	0 to 70	1.80	1.64	1.50
◆	692-Z8F011AHH020EG	SSOP-20	1K	256	16	17	18	-	-40 to 105	1.99	1.82	1.66
◆	692-Z8F012APH020SG	PDIP-20	1K	256	16	17	18	7	0 to 70	1.88	1.72	1.57
◆	692-Z8F012APH020EG	PDIP-20	1K	256	16	17	18	7	-40 to 105	2.08	1.90	1.73
◆	692-Z8F011APH020SG	PDIP-20	1K	256	16	17	18	-	0 to 70	1.80	1.64	1.50
◆	692-Z8F011APH020EG	PDIP-20	1K	256	16	17	18	-	-40 to 105	1.99	1.82	1.66
◆	692-Z8F012ASB020SG	SOIC-8	1K	256	16	6	12	4	0 to 70	1.72	1.57	1.43
◆	692-Z8F022ASJ020SG	SOIC-28	2K	512	64	23	18	8	0 to 70	1.97	1.79	1.64
◆	692-Z8F022ASJ020EG	SOIC-28	2K	512	64	23	18	8	-40 to 105	2.17	1.99	1.81
◆	692-Z8F021ASJ020SG	SOIC-28	2K	512	64	25	18	-	0 to 70	1.88	1.72	1.57
◆	692-Z8F021ASJ020EG	SOIC-28	2K	512	64	25	18	-	-40 to 105	2.08	1.90	1.73
◆	692-Z8F022AHJ020SG	SSOP-28	2K	512	64	23	18	8	0 to 70	1.97	1.79	1.64
◆	692-Z8F022AHJ020EG	SSOP-28	2K	512	64	23	18	8	-40 to 105	2.17	1.99	1.81
◆	692-Z8F021AHJ020SG	SSOP-28	2K	512	64	25	18	-	0 to 70	1.88	1.72	1.57
◆	692-Z8F021AHJ020EG	SSOP-28	2K	512	64	25	18	-	-40 to 105	2.08	1.90	1.73
◆	692-Z8F022APJ020SG	PDIP-28	2K	512	64	23	18	8	0 to 70	2.15	1.95	1.79
◆	692-Z8F022APJ020EG	PDIP-28	2K	512	64	23	18	8	-40 to 105	2.36	2.15	1.97
◆	692-Z8F021APJ020EG	PDIP-28	2K	512	64	25	18	-	-40 to 105	2.27	2.06	1.89

