

1.20mm Pico-EZmate™ & 2.00mm DuraClik™ Connectors

RoHS compliant This product is RoHS compliant.

Pico-EZmate™ 1.20mm (.047") Pitch Wire-to-Board Connectors

Specifications:

- Housing: LCP, UL94V-0, Black
- Contact Plating: Gold
- Voltage: 50V max
- Current: 1.5A max

Features:

- Ultra Low Profile
- 1.4mm mated height
- Easy Vertical Mating
- Audible Click to ensure mating integrity

Receptacle Housings

For quantities of 1000 and up, call for quote.

MOUSER STOCK NO.	Molex Part No.	Fig.	No. of Circuits	Overall Length (mm)	First to Last Circuit (mm)	Price Each			
						1	10	100	500
538-78172-0002	78172-0002	A	2	2.6	1.2	.14	.13	.12	.11
538-78172-0003	78172-0003	A	3	3.8	2.4	.18	.15	.14	.13
538-78172-0004	78172-0004	A	4	5.0	3.6	.18	.15	.14	.13
538-78172-0005	78172-0005	A	5	6.2	4.8	.20	.17	.15	.14

Headers - Vertical

For quantities of 1000 and up, call for quote.

MOUSER STOCK NO.	Molex Part No.	Fig.	No. of Circuits	Overall Length (mm)	First to Last Circuit (mm)	Price Each			
						1	10	100	500
538-78171-0002	78171-0002	B	2	4.2	1.2	.42	.37	.33	.30
538-78171-0003	78171-0003	B	3	5.4	2.4	.45	.40	.35	.32
538-78171-0004	78171-0004	B	4	6.6	3.6	.49	.42	.38	.34
538-78171-0005	78171-0005	B	5	7.8	4.8	.54	.47	.42	.38

Terminal - Use with Receptacle Housing

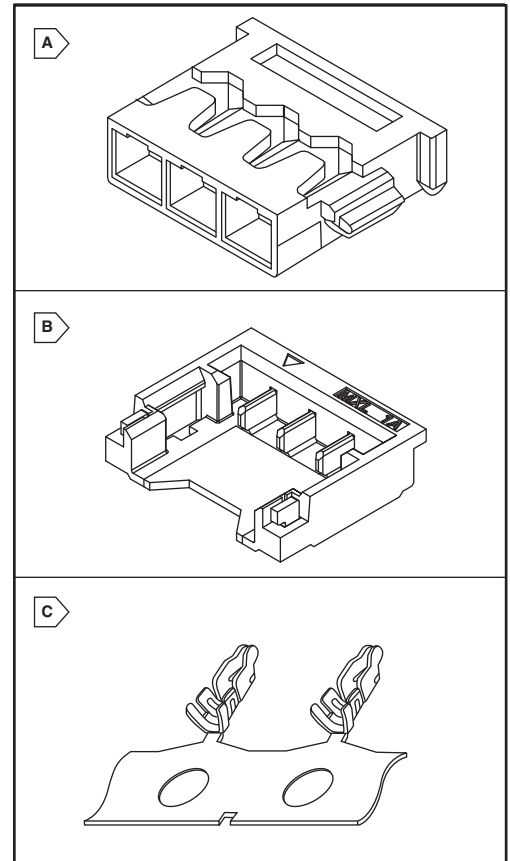
For quantities of 1000 and up, call for quote.

MOUSER STOCK NO.	Molex Part No.	Fig.	Wire Gauge	Contact	Contact Plating	Price Each			
						1	10	100	500
538-78172-0410	78172-0410	C	28-30	Copper Alloy	Gold	.12	.11	.10	.09

Tooling

For quantities of 5 and up, call for quote.

MOUSER STOCK NO.	Molex Part No.	Fig.	Wire Gauge	Description	Price Each
538-63819-4300	63819-4300	-	28-30	Hand Crimp Tool	307.16



DuraClik™ 2.00mm (.079") Pitch Wire-to-board Connectors

Specifications:

- Housing: Receptacle PBT White, Header PBT Beige
- Contact Plating: Tin
- Voltage: 125V max
- Current: 3A max

Features:

- Secure inner lock system
- Wide/long end fitting solder tails
- SMT tail protector
- Positive lock with audible click

Receptacle Housings

For quantities of 1000 and up, call for quote.

MOUSER STOCK NO.	Molex Part No.	Fig.	No. of Circuits	Overall Length (mm)	First to Last Circuit (mm)	Price Each			
						1	10	100	500
538-502351-0200	502351-0200	A	2	6.1	4	.35	.31	.27	.25
538-502351-0400	502351-0400	A	4	10.1	8	.36	.33	.31	.28
538-502351-0600	502351-0600	A	6	14.1	12	.45	.43	.41	.36
538-502351-0800	502351-0800	A	8	18.1	16	.47	.45	.43	.38

Headers - Right Angle

For quantities of 1000 and up, call for quote.

MOUSER STOCK NO.	Molex Part No.	Fig.	No. of Circuits	Overall Length (mm)	First to Last Circuit (mm)	Price Each			
						1	10	100	500
538-502352-0200	502352-0200	B	2	8	4	.81	.71	.63	.57
538-502352-0400	502352-0400	B	4	12	8	1.33	1.27	1.18	1.05
538-502352-0600	502352-0600	B	6	16	12	1.63	1.54	1.42	1.28
538-502352-0800	502352-0800	B	8	20	16	1.75	1.64	1.55	1.39

Terminal - Female

For quantities of 1000 and up, call for quote.

MOUSER STOCK NO.	Molex Part No.	Fig.	Wire Gauge	Contact	Contact Plating	Price Each			
						1	10	100	500
538-50212-8100	50212-8100	C	24-30	Phosphor Bronze	Tin	.23	.19	.16	.14

Tooling

For quantities of 5 and up, call for quote.

MOUSER STOCK NO.	Molex Part No.	Fig.	Wire Gauge	Description	Price Each
538-63819-0500	63819-0500	-	24-30	Hand Crimp Tool	342.10

