

# AVX Fuses and Thermistors



## AVX ACCU-GUARD® II - SMD THIN-FILM FUSE

Accu-Guard® II is a version of Accu-Guard® fuses for a wider range of current and voltage ratings. Constructed on alumina substrates, Accu-Guard® II fuses display superior electrical, mechanical and environmental properties.

### Features:

- Accurate Current Rating
- Fast Acting
- Completely Compatible with all Soldering Systems used for SMT

### Electrical Specifications:

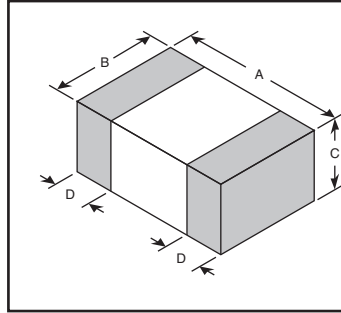
- Operating Temperature: -55°C to +125°C
- Current Carrying Capacity: At -55°C - 107% of Rating, At -25°C - 100% of Rating, At +125°C - 80% of Rating
- Interrupting Rating: 50A
- Insulation Resistance: >20MΩ guaranteed (after fusing at rated voltage)

### Applications:

- Cellular Telephones
- Two-Way Radios
- Computers
- Battery Chargers
- Rechargeable Battery Packs
- Hard Disk Drives
- PDA's
- LCD Screens
- SCSI Interface
- Digital Cameras
- Video Cameras



LEAD-FREE RoHS Compliant



DIMENSIONS: mm (in.)			
Dim.	F0402E	F0603E	
A	1.00±0.10 (.039±.004)	1.60±0.10 (.063±.004)	
B	0.55±0.07 (.022±.003)	0.81±0.10 (.032±.004)	
C	0.40±0.10 (.016±.004)	0.63±0.10 (.025±.004)	
D	0.20±0.10 (.008±.004)	0.35±0.15 (.014±.006)	

## 0402

MOUSER STOCK NO.	AVX Part No.	Current Rating A	Resistance 10% x I Rated, 25°C Ω (max)	Voltage Drop @ 1 x I Rated, 25°C mV (max)	Fusing Current (within 5 sec), 25°C A	Pre-Arc I <sup>2</sup> t @ 50A A <sup>2</sup> ·sec	Rated Voltage	Price Each					Reel of 5000 (per piece)
								1	50	100	500	1000	
581-F0402E0R25FSTR	F0402E0R25FSTR	0.25	0.650	220	0.625	0.00005	32	.32	.30	.245	.20	.16	.135
581-F0402E0R50FSTR	F0402E0R50FSTR	0.50	0.250	180	1.25	0.0003	32	.32	.30	.245	.20	.16	.135
581-F0402E0R75FSTR	F0402E0R75FSTR	0.75	0.200	180	1.875	0.003	32	.32	.30	.245	.20	.16	.135
581-F0402E1R00FSTR	F0402E1R00FSTR	1.00	0.130	160	2.50	0.008	32	.32	.30	.245	.20	.16	.135
581-F0402E1R50FSTR	F0402E1R50FSTR	1.50	0.060	140	3.75	0.03	32	.32	.30	.245	.20	.16	.135
581-F0402E2R00FSTR	F0402E2R00FSTR	2.00	0.040	120	5.00	0.06	32	.32	.30	.245	.20	.16	.135

## 0603

MOUSER STOCK NO.	AVX Part No.	Current Rating A	Resistance 10% x I Rated, 25°C Ω (max)	Voltage Drop @ 1 x I Rated, 25°C mV (max)	Fusing Current (within 5 sec), 25°C A	Pre-Arc I <sup>2</sup> t @ 50A A <sup>2</sup> ·sec	Rated Voltage	Price Each					Reel of 3000 (per piece)
								1	50	100	500	1000	
581-F0603E0R25FSTR	F0603E0R25FSTR	0.25	0.650	220	0.625	0.00005	32	.35	.269	.22	.176	.149	.146
581-F0603E0R37FSTR	F0603E0R37FSTR	0.375	0.450	220	0.940	0.0001	32	.35	.269	.22	.176	.149	.146
581-F0603E0R50FSTR	F0603E0R50FSTR	0.50	0.250	180	1.25	0.0003	32	.35	.269	.22	.176	.149	.146
581-F0603E0R75FSTR	F0603E0R75FSTR	0.75	0.200	180	1.875	0.003	32	.35	.269	.22	.176	.149	.146
581-F0603E1R00FSTR	F0603E1R00FSTR	1.00	0.130	160	2.50	0.008	32	.35	.269	.22	.176	.149	.146
581-F0603E1R25FSTR	F0603E1R25FSTR	1.25	0.090	140	3.125	0.01	32	.35	.269	.22	.176	.149	.146
581-F0603E1R50FSTR	F0603E1R50FSTR	1.50	0.060	140	3.75	0.03	32	.35	.269	.22	.176	.149	.146
581-F0603E1R75FSTR	F0603E1R75FSTR	1.75	0.050	120	4.375	0.04	32	.35	.269	.22	.176	.149	.146
581-F0603E2R00FSTR	F0603E2R00FSTR	2.00	0.040	120	5.00	0.06	32	.35	.269	.22	.176	.149	.146
581-F0603E2R50FSTR	F0603E2R50FSTR	2.50	0.035	100	6.25	0.12	32	.35	.269	.22	.176	.149	.146
581-F0603E3R00FSTR	F0603E3R00FSTR	3.00	0.030	100	7.50	0.25	32	.35	.269	.22	.176	.149	.146

## AVX NTC SMD THERMISTORS

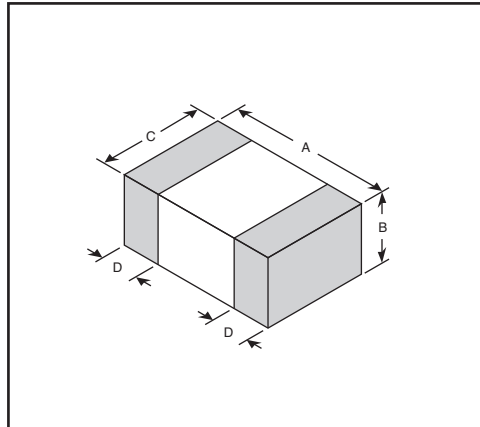
Chip thermistors are a high quality and low cost device especially developed for surface mounting applications. They are widely used for temperature compensation but can also achieve temperature control of printed circuits. Its silver - palladium - platinum metallization provides a high degree of resistance to dewetting of the terminations during soldering (typically 260°C / 30s).

### Applications:

- LCD Compensation
- Battery Packs
- Mobile Phones
- CD Players
- Heating Systems
- Air-conditioning Systems
- Temperature Control of Switch Mode Power Supplies
- Compensation of Pressure Sensors
- Protection of Power Transistors in Various Electronic Circuits



LEAD-FREE RoHS Compliant



DIMENSIONS: mm (IN)				
Type	A	B	C	D
NC 12 IEC Size: 08-05	2±0.3 (.079±.012)	1.3±0.5 (.051±.020)	1.25±0.2 (.049±.008)	0.2 (.008) Min.
NC 20 IEC Size: 12-06	3.2±0.4 (.126±.016)	1.5±0.5 (.059±.020)	1.6±0.25 (.063±.010)	0.2 (.008) Min.

## 0805

• Operating Temp.: -55°C to +150°C • Maximum Dissipation at 25°C: 0.12W • Thermal Dissipation Factor: 2 mW/°C • Thermal Time Constant: 5 sec.

MOUSER STOCK NO.	AVX Part No.	Rn at 25°C Ω	Tol. ±	B (K) Δ B/B	Price Each				Reel of 4000 (per piece)
					1	100	500	1000	
581-NC12KC0220JBB	NC12KC0220JBB	22	5%	3470 (±5%)	.62	.42	.31	.26	.23
581-NC12KC0470JBB	NC12KC0470JBB	47	5%	3470 (±5%)	.62	.42	.31	.26	.23
581-NC12KC0560JBB	NC12KC0560JBB	56	5%	3470 (±5%)	.62	.42	.31	.26	.23
581-NC12KC0680JBB	NC12KC0680JBB	68	5%	3470 (±5%)	.62	.42	.31	.26	.23
581-NC12KC0820JBB	NC12KC0820JBB	82	5%	3470 (±5%)	.62	.42	.31	.26	.23
581-NC12KC0101JBB	NC12KC0101JBB	100	5%	3470 (±5%)	.62	.42	.31	.26	.23
581-NC12MC0121JBB	NC12MC0121JBB	120	5%	3910 (±5%)	.47	.31	.23	.20	.18
581-NC12MC0181KBB	NC12MC0181KBB	180	10%	3910 (±5%)	.47	.31	.23	.20	.18
581-NC12MC0221JBB	NC12MC0221JBB	220	5%	3910 (±5%)	.47	.31	.23	.20	.18
581-NC12MC0331KBB	NC12MC0331KBB	330	10%	3910 (±5%)	.47	.31	.23	.20	.18
581-NC12MC0471JBB	NC12MC0471JBB	470	5%	3910 (±5%)	.30	.25	.22	.20	.16
581-NC12MC0102JBB	NC12MC0102JBB	1K	5%	3910 (±5%)	.47	.31	.23	.20	.18
581-NC12MC0152KBB	NC12MC0152KBB	1.5K	10%	3910 (±5%)	.47	.31	.23	.20	.18
581-NC12MC0222KBB	NC12MC0222KBB	2.2K	10%	3910 (±5%)	.22	.20	.17	.14	.13
581-NC12MC0272JBB	NC12MC0272JBB	2.7K	5%	3910 (±5%)	.47	.31	.23	.20	.18
581-NC12MC0332KBB	NC12MC0332KBB	3.3K	10%	3910 (±5%)	.47	.31	.23	.20	.18
581-NC12M00223KBB	NC12M00223KBB	22K	10%	3950 (±3%)	.47	.31	.23	.20	.18
581-NC12N00473KBB	NC12N00473KBB	47K	10%	4080 (±3%)	.39	.26	.20	.16	.15
581-NC12N00563KBB	NC12N00563KBB	56K	10%	4080 (±3%)	.39	.26	.20	.16	.15

## 1206

• Operating Temp.: -55°C to +150°C • Maximum Dissipation at 25°C: 0.24W • Thermal Dissipation Factor: 4 mW/°C • Thermal Time Constant: 7 sec.

MOUSER STOCK NO.	AVX Part No.	Rn at 25°C Ω	Tol. ±	B (K) Δ B/B	Price Each				Reel of 3000 (per piece)
					1	100	500	1000	
581-NC20KC0100KBB	NC20KC0100KBB	10	10%	3470 (±5%)	1.02	.68	.51	.43	.38
581-NC20KC0220JBB	NC20KC0220JBB	22	5%	3470 (±5%)	1.02	.68	.51	.43	.38
581-NC20KC0470KBB	NC20KC0470KBB	47	10%	3470 (±5%)	1.02	.68	.51	.43	.38
581-NC20KC0560KBB	NC20KC0560KBB	56	10%	3470 (±5%)	1.02	.68	.51	.43	.38
581-NC20KC0101KBB	NC20KC0101KBB	100	10%	3470 (±5%)	1.02	.68	.51	.43	.38
581-NC20MC0221KBB	NC20MC0221KBB	220	10%	3910 (±5%)	.96	.64	.48	.40	.36
581-NC20MC0331JBB	NC20MC0331JBB	330	5%	3910 (±5%)	.96	.64	.48	.40	.36
581-NC20MC0561JBB	NC20MC0561JBB	560	5%	3910 (±5%)	.96	.64	.48	.40	.36
581-NC20MC0681KBB	NC20MC0681KBB	680	10%	3910 (±5%)	.96	.64	.48	.40	.36
581-NC20MC0102JBB	NC20MC0102JBB	1K	5%	3910 (±5%)	.96	.64	.48	.40	.36
581-NC20MC0152JBB	NC20MC0152JBB	1.5K	5%	3910 (±5%)	.96	.64	.48	.40	.36
581-NC20J00472KBB	NC20J00472KBB	4.7K	10%	3480 (±5%)	.58	.39	.29	.24	.22
581-NC20J00682JBB	NC20J00682JBB	6.8K	5%	3480 (±5%)	.58	.39	.29	.24	.22
581-NC20K00103JBB	NC20K00103JBB	10K	5%	3630 (±5%)	1.02	.68	.51	.43	.38
581-NC20L00223KBB	NC20L00223KBB	22K	10%	3790 (±5%)	.58	.39	.29	.24	.22
581-NC20M00333KBB	NC20M00333KBB	33K	10%	3950 (±3%)	.96	.64	.48	.40	.36
581-NC20N00563KBB	NC20N00563KBB	56K	10%	4080 (±3%)	.58	.38	.29	.24	.22
581-NC20N00823KBB	NC20N00823KBB	82K	10%	4080 (±3%)	.58	.38	.29	.24	.22
581-NC20N00104KBB	NC20N00104KBB	100K	10%	4080 (±3%)	.58	.38	.29	.24	.22
581-NC20Q00474JBB	NC20Q00474JBB	470K	5%	4300 (±3%)	.61	.41	.31	.26	.23
581-NC20R00105JBB	NC20R00105JBB	1M	5%	4400 (±3%)	.62	.41	.31	.26	.23