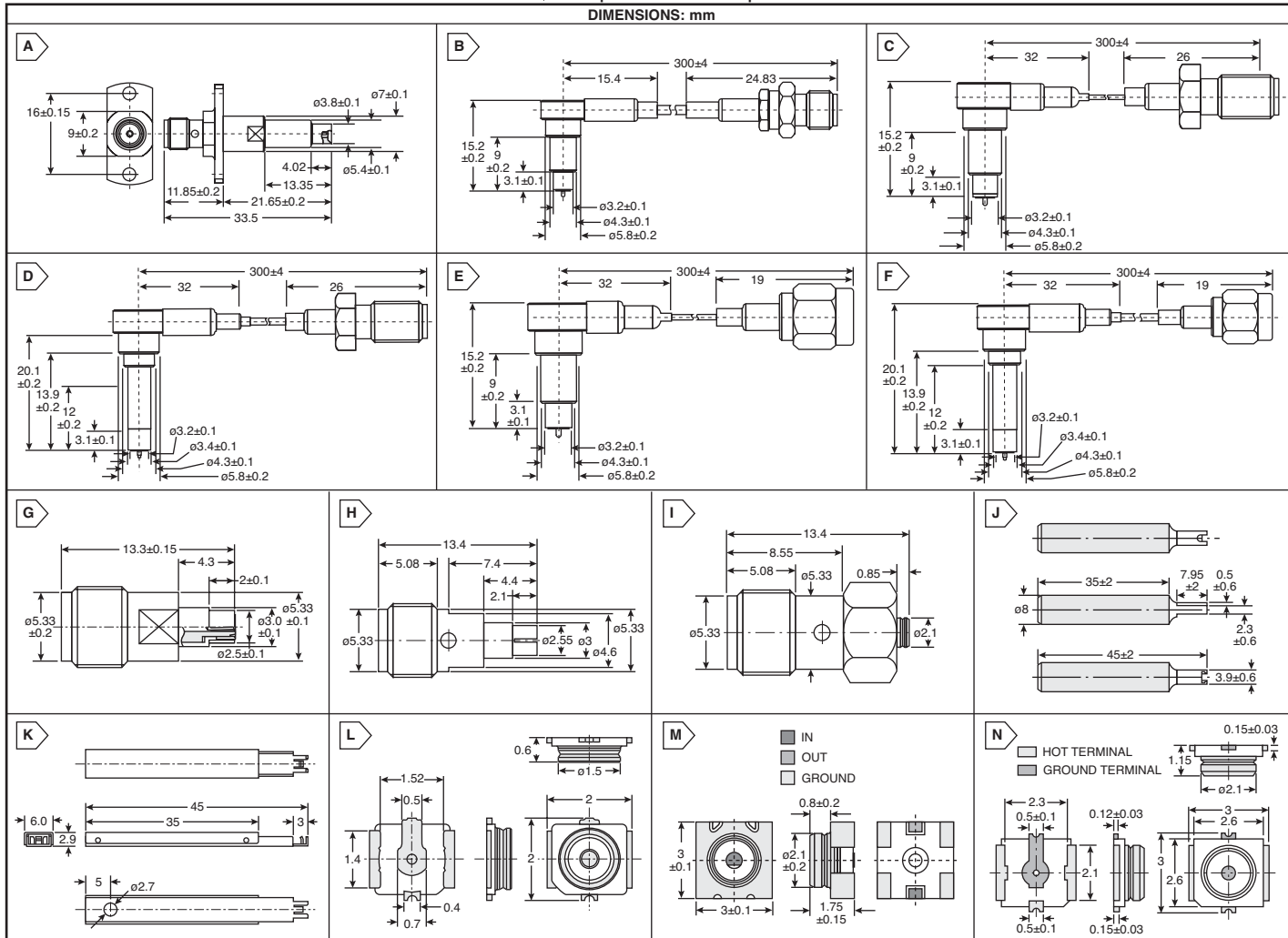


MURATA Microwave Probes and Connectors



This product is RoHS compliant.

DIMENSIONS: mm



MICROWAVE TEST PROBES

RoHS Compliant

For quantities of 50 and up, call for quote.

MOUSER STOCK NO.	Murata Part No.	Fig.	Description	Price Each			
				1	5	10	25
81-MM126036	MM126036	A	Measurement Probe for MM8430-2610 & MM8430-2600	80.03	78.75	75.99	74.31
81-MXGS83RK3000	MXGS83RK3000	B	Measurement Probe for MM8430-2610 & MM8430-2600	137.50	129.90	122.22	115.79
81-MXHS83QE3000	MXHS83QE3000	C	Measurement Probe for MM8430-2610 & MM8430-2600	32.10	31.25	30.49	29.80
81-MXHS83QH3000	MXHS83QH3000	D	Measurement Probe for MM8430-2610 & MM8430-2600	90.19	75.16	64.42	56.37
81-MXHT83QE3000	MXHT83QE3000	E	Measurement Probe for MM8430-2610 & MM8430-2600	85.12	70.93	60.80	53.20
81-MXHT83QH3000	MXHT83QH3000	F	Measurement Probe for MM8430-2610 & MM8430-2600	90.19	75.16	64.42	56.37
81-MM121490	MM121490	G	Measurement Probe For MM4829-2702	119.35	94.87	86.05	77.08
81-MM121470	MM121470	H	Measurement Probe For MM9329-2700	76.12	67.82	59.21	54.85
81-MM121480	MM121480	I	Measurement Probe For MM9329-2700 (Cable Type)	219.60	109.80	94.11	82.35

DISENGAGEMENT TOOLS

RoHS Compliant

For quantities of 50 and up, call for quote.

MOUSER STOCK NO.	Murata Part No.	Fig.	Description	Price Each			
				1	5	10	25
81-M22001	M22001	J	Disengagement Tool For MM121470	136.15	108.92	90.77	77.80
81-M19100	M19100	K	Disengagement Tool For MM121490	114.35	91.48	83.16	75.60

MICROWAVE TEST CONNECTORS

RoHS Compliant

For quantities of 2000 and up, call for quote.

MOUSER STOCK NO.	Murata Part No.	Fig.	Description	Contact Resistance	VSWR	Durability (Cycles)	Impedance	Rated Voltage	Frequency Rating Max.	Price Each			
										1	25	100	1000
81-MM4829-2702RA4	MM4829-2702RA4	L	SMD Coaxial Connector	0.02	1.3	30	50Ω	250VDC	6.0GHz	.44	.381	.338	.305
81-MM8430-2600RA1	MM8430-2600RA1	M	SMD Coaxial Connector with Switch	0.05	1.2	500	50Ω	250VDC	6.0GHz	.73	.556	.456	.407
81-MM8430-2610RA1	MM8430-2610RA1	M	SMD Coaxial Connector with Switch	0.05	1.2	500	50Ω	250VDC	6.0GHz	.44	.38	.31	.28
81-MM9329-2700RA1	MM9329-2700RA1	N	SMD Coaxial Connector	0.015	1.2	30	50Ω	250VDC	6.0GHz	.72	.626	.556	.455

