

RoHS Compliant This product is RoHS compliant.

Authorized Distributor

## 5.0MM FLUSH MOUNT PLUG-IN CONNECTORS WITH CAGE CLAMP

### Series B51C4

• RoHS Compliant per Tyco Electronics documentation

#### Physical Properties:

- Housing Material: Polyamide, Type 6/6
- Flammability: UL94V-0
- Color: Black

#### Electrical Properties

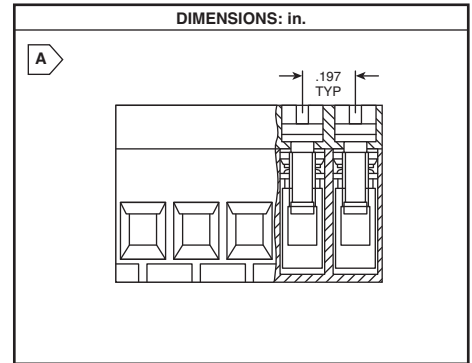
- Maximum Current: 15A
- Operating Voltage: 300V
- Wire Range: 12-30AWG



RoHS Compliant

For quantities of 200 and up, call for quote.

MOUSER STOCK NO.	Tyco Electronics Part No.	Fig.	No. of Positions	Overall Length (in.)	Price Each			
					1	25	50	100
571-14374261	1437426-1	A	2	.197	5.64	5.18	4.78	4.47
571-14374263	1437426-3	A	3	.394	12.17	10.95	10.35	9.75
571-14374269	1437426-9	A	4	.591	4.72	4.34	4.00	3.74
571-114374263	1-1437426-3	A	5	.787	4.83	4.60	4.35	4.11
571-114374266	1-1437426-6	A	6	.984	12.50	11.88	11.25	10.62
571-214374265	2-1437426-5	A	8	1.378	8.26	7.77	7.29	7.04
571-314374262	3-1437426-2	A	10	1.772	23.55	22.39	21.20	17.20
571-314374269	3-1437426-9	A	12	2.165	13.60	12.92	12.24	11.44



## 5.08MM FLUSH MOUNT PLUG-IN CONNECTORS WITH CAGE CLAMP

### Series B51C8

• RoHS Compliant per Tyco Electronics documentation

#### Physical Properties:

- Housing Material: Polyamide, Type 6/6
- Flammability: UL94V-0
- Color: Blue

#### Electrical Properties

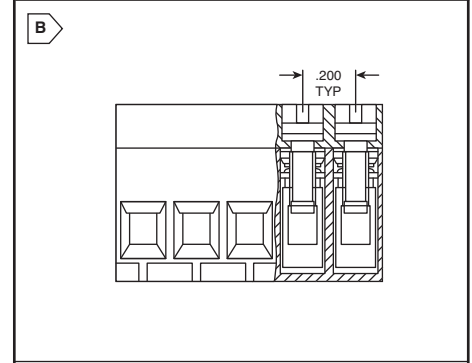
- Maximum Current: 15A
- Operating Voltage: 300V
- Wire Range: 12-30AWG



RoHS Compliant

For quantities of 200 and up, call for quote.

MOUSER STOCK NO.	Tyco Electronics Part No.	Fig.	No. of Positions	Overall Length (in.)	Price Each			
					1	25	50	100
571-714374261	7-1437426-1	B	2	.200	3.86	3.67	3.48	3.28
571-714374262	7-1437426-2	B	3	.400	3.86	3.68	3.48	3.29
571-714374264	7-1437426-4	B	4	.600	4.72	4.49	4.25	4.02
571-714374265	7-1437426-5	B	5	.800	5.13	4.61	4.37	4.10
571-714374267	7-1437426-7	B	6	1.000	11.67	10.49	9.91	9.32
571-814374260	8-1437426-0	B	8	1.400	6.49	6.17	5.84	5.52
571-814374263	8-1437426-3	B	10	1.800	8.51	8.09	7.66	7.24
571-814374267	8-1437426-7	B	12	2.200	9.26	8.42	7.27	6.75



## 5.0MM AND 5.08MM VERTICAL FLUSH-MOUNT HEADERS

### Series B71N4 and B71N8

• RoHS Compliant per Tyco Electronics documentation

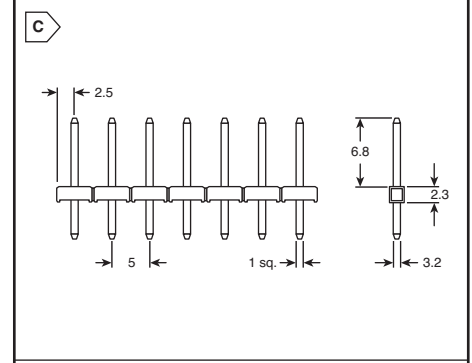
• Solder Pins: Phosphor Bronze, Tin Plated



RoHS Compliant

For quantities of 200 and up, call for quote.

MOUSER STOCK NO.	Tyco Electronics Part No.	Fig.	No. of Positions	Overall Length (in.)	Price Each			
					1	25	50	100
<b>5.0mm Vertical Headers For B51C4 Connectors - UL: 300V @ 15A - Black Color</b>								
571-17764522	1776452-2	C	2	.394	1.32	1.19	1.12	1.06
571-17764523	1776452-3	C	3	.591	1.90	1.71	1.62	1.52
571-17764524	1776452-4	C	4	.591	2.25	2.15	2.03	1.92
571-17764525	1776452-5	C	5	.984	3.14	2.82	2.67	2.51
571-17764526	1776452-6	C	6	1.181	3.68	3.31	3.13	2.94
571-17764528	1776452-8	C	8	1.575	4.36	3.93	3.71	3.49
571-117764520	1-1776452-0	C	10	1.969	5.82	5.25	4.95	4.66
571-117764522	1-1776452-2	C	12	2.362	6.82	6.14	5.80	5.46
<b>5.08mm Vertical Headers For B51C8 Co00V @ 15A - Brown Color</b>								
571-17764532	1776453-2	D	2	.400	1.54	1.39	1.30	1.23
571-17764533	1776453-3	D	3	.600	2.12	1.91	1.80	1.70
571-17764534	1776453-4	D	4	.800	2.93	2.65	2.49	2.35
571-17764535	1776453-5	D	5	1.000	3.61	3.24	3.06	2.88
571-17764536	1776453-6	D	6	1.200	4.11	3.69	3.49	3.28
571-17764538	1776453-8	D	8	1.600	4.91	4.43	4.18	3.93
571-117764530	1-1776453-0	D	10	2.000	6.70	6.04	5.70	5.37
571-117764532	1-1776453-2	D	12	2.400	7.72	6.95	6.57	6.17



## 5.0MM AND 5.08MM BOARD MOUNT SCREWLESS, TOP WIRE ENTRY CONNECTORS

• RoHS Compliant per Tyco Electronics documentation

• UL Rating: 300V @ 15A

• 14-22AWG

• Color: Green

• No special tooling required



RoHS Compliant

For quantities of 200 and up, call for quote.

MOUSER STOCK NO.	Tyco Electronics Part No.	Fig.	No. of Positions	Overall Length (in.)	Price Each			
					1	25	50	100
<b>5.0mm</b>								
571-17762592	1776259-2	E	2	0.492	1.01	.92	.883	.815
571-17762593	1776259-3	E	3	0.689	1.80	1.68	1.52	1.40
571-17762594	1776259-4	E	4	0.886	2.92	2.56	2.37	2.23
571-17762595	1776259-5	E	5	1.083	2.26	2.11	1.99	1.87
571-17762596	1776259-6	E	6	1.280	2.96	2.73	2.58	2.43
571-17762597	1776259-7	E	7	1.476	2.92	2.78	2.63	2.49
571-17762598	1776259-8	E	8	1.673	3.85	3.69	3.45	3.29
<b>5.08mm</b>								
571-17762602	1776260-2	E	2	0.400	.87	.81	.77	.747
571-17762603	1776260-3	E	3	0.600	1.80	1.68	1.52	1.40
571-17762604	1776260-4	E	4	0.800	1.90	1.70	1.60	1.52
571-17762605	1776260-5	E	5	1.000	2.45	2.28	2.16	2.03
571-17762606	1776260-6	E	6	1.200	2.86	2.73	2.39	2.25
571-17762607	1776260-7	E	7	1.400	3.30	3.19	2.99	2.86
571-17762608	1776260-8	E	8	1.600	3.97	3.78	3.58	3.38

