

# OMRON Tactile and Dome Switches



## B3W SERIES: ILLUMINATED TACTILE SWITCHES

### Specifications:

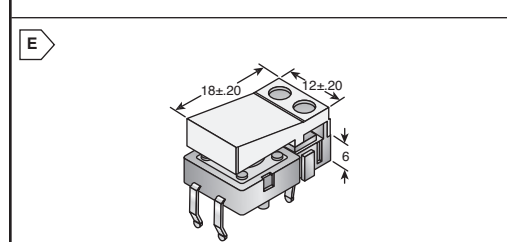
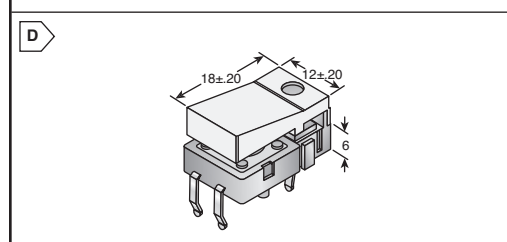
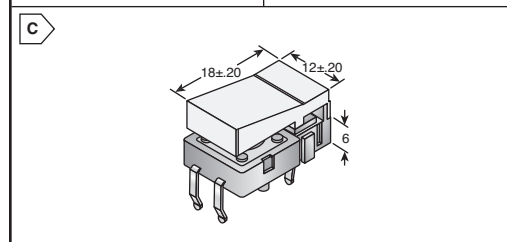
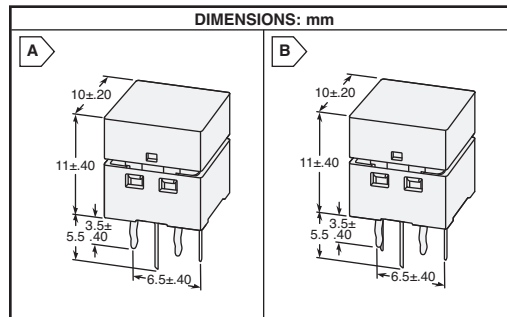
- Compact construction (10x10x11mm height) with bright and uniform illumination
- Three-color illumination (red LED + green LED = orange)
- Standard force (1.57N)
- Snap-action contact construction for a positive click action
- High contact reliability
- Sealed switch part provides high contact reliability against dust



RoHS Compliant

For quantities of 500 and up, call for quote.

MOUSER STOCK NO.	Omron Part No.	Fig.	LED Color	No. of LEDs	Cap Color	Price Each			
						1	25	50	100
653-B3W-9000-R1R	B3W-9000-R1R	A	Red	1	Red	2.32	2.12	1.96	1.77
653-B3W-9000-G1G	B3W-9000-G1G	A	Green	1	Green	2.32	2.12	1.96	1.77
653-B3W-9000-Y1Y	B3W-9000-Y1Y	A	Yellow	1	Yellow	2.32	2.12	1.96	1.77
653-B3W-9000-B1B	B3W-9000-B1B	A	Blue	1	Blue	3.73	3.50	3.16	2.84
653-B3W-9000-RG2N	B3W-9000-RG2N	B	Red/Green	2	Milky White	2.68	2.39	2.32	2.20
653-B3W-9000-B1N	B3W-9000-B1N	A	Blue	1	Milky White	3.73	3.50	3.16	2.84
653-B3W-9000-R1N	B3W-9000-R1N	A	Red	1	Milky White	2.32	2.12	1.96	1.77
653-B3W-9000-Y1N	B3W-9000-Y1N	A	Yellow	1	Milky White	2.32	2.12	1.96	1.77
653-B3W-9000-G1N	B3W-9000-G1N	A	Green	1	Milky White	2.32	2.12	1.96	1.77



## B3J SERIES: TACTILE SWITCHES, HINGED TYPE

### Features:

- Hinged design developed through ergonomics
- Quick, superior snap action through hook-type hinge construction
- Available with 1 or 2 LEDs or without LEDs

### Specifications:

- Switching capacity: 1 to 50 mA, 5 to 24 VDC (resistive load)
- Contact configuration: SPST-NO
- Contact resistance: 100 mΩ max
- Insulation resistance: 100 MΩ min
- Dielectric strength: 500 VAC
- Operating force (OF): 1.27±0.49 N {130±50 gf}



RoHS Compliant

For quantities of 500 and up, call for quote.

MOUSER STOCK NO.	Omron Part No.	Fig.	Hinged Button Color	No. of LEDs	LED Color	Price Each			
						1	25	50	100
653-B3J-1000	B3J-1000	C	Light Gray	None	-	1.45	1.33	1.28	1.15
653-B3J-1100	B3J-1100	C	Black	None	-	1.45	1.33	1.28	1.15
653-B3J-1300	B3J-1300	C	Yellow	None	-	1.45	1.33	1.28	1.15
653-B3J-1400	B3J-1400	C	Blue	None	-	1.45	1.33	1.28	1.15
653-B3J-2000	B3J-2000	D	Light Gray	1	Red	2.43	2.25	2.10	1.95
653-B3J-2100	B3J-2100	D	Black	1	Red	2.43	2.38	2.12	2.06
653-B3J-4000	B3J-4000	D	Light Gray	1	Green	2.43	2.25	2.10	1.95
653-B3J-4100	B3J-4100	D	Black	1	Green	2.43	2.25	2.10	1.95
653-B3J-1200	B3J-1200	E	Light Gray	2	Green	1.45	1.33	1.28	1.15
653-B3J-6000	B3J-6000	E	Light Gray	2	Red/Green	3.31	3.17	3.01	2.83
653-B3J-6100	B3J-6100	E	Black	2	Red/Green	3.31	3.17	3.01	2.83



## B3D SERIES: ULTRA-LOW PROFILE DOME KEYSWITCHES

### Specifications:

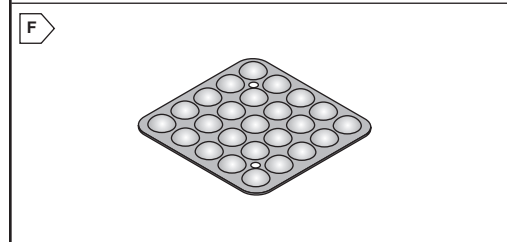
- No soldering required
- Attach directly to PCB to make an ultra-low profile tactile switch
- Matrix adhesive used to create highly dust-proof construction with good ventilation
- Construction provides strong resistance to static electricity by having no soldered terminals
- Lower profile, lighter weight & crisp clicking action achieved using stainless steel contact dome
- Omron's unique circular contact action ensures a high level of resistance to foreign matter



RoHS Compliant

For quantities of 500 and up, call for quote.

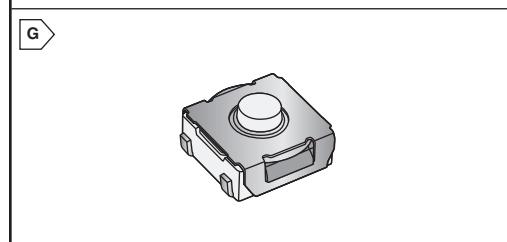
MOUSER STOCK NO.	Omron Part No.	Fig.	Contact Dome Dia.	Switching Capacity	Contact Form	Operating Force (OF)	Price Each			
							1	25	50	100
653-B3D-4112	B3D-4112	F	4mm	3VDC, 1mA min.	SPST-NO	167gm	.28	.26	.231	.197
653-B3D-5112	B3D-5112	F	5mm	12VDC, 10mA max.	SPST-NO	167gm	.28	.26	.231	.197



### Keypatches with Matrix Adhesive

For quantities of 500 and up, call for quote.

MOUSER STOCK NO.	Omron Part No.	Fig.	Contact Dome Diameter	Operating Force (OF)	Domes per Sheet	Price Per Sheet
653-B3DA-0010-A	B3DA-0010-A	F	4mm	1.57±.49N	18	2.98
653-B3DA-0000-A	B3DA-0000-A	F	5mm	1.57±.49N	18	2.98



## B3SL SERIES: MIDDLE STROKE TACTILE SWITCHES

### Specifications:

- Type: 6x6mm
- Switching capacity: 1 to 50 mA at 5 to 12 VDC (resistive load)
- Contact configuration: SPST-NO
- Contact resistance: 100 mΩ max. (initial value) (for 1 mA at 5 VDC)
- Insulation resistance: 100 MΩ min. (at 250 VDC)
- Dielectric strength: 250 VAC, 50/60 Hz for 1 min.
- Operating force (OF): 1.96 N (200 gf)



RoHS Compliant

For quantities of 500 and up, call for quote.

MOUSER STOCK NO.	Omron Part No.	Fig.	Height (mm)	Price Each			
				1	25	50	100
653-B3SL-1002P	B3SL-1002P	G	3.4	.45	.43	.41	.40
653-B3SL-1022P	B3SL-1022P	H	5.1	.47	.45	.44	.42

