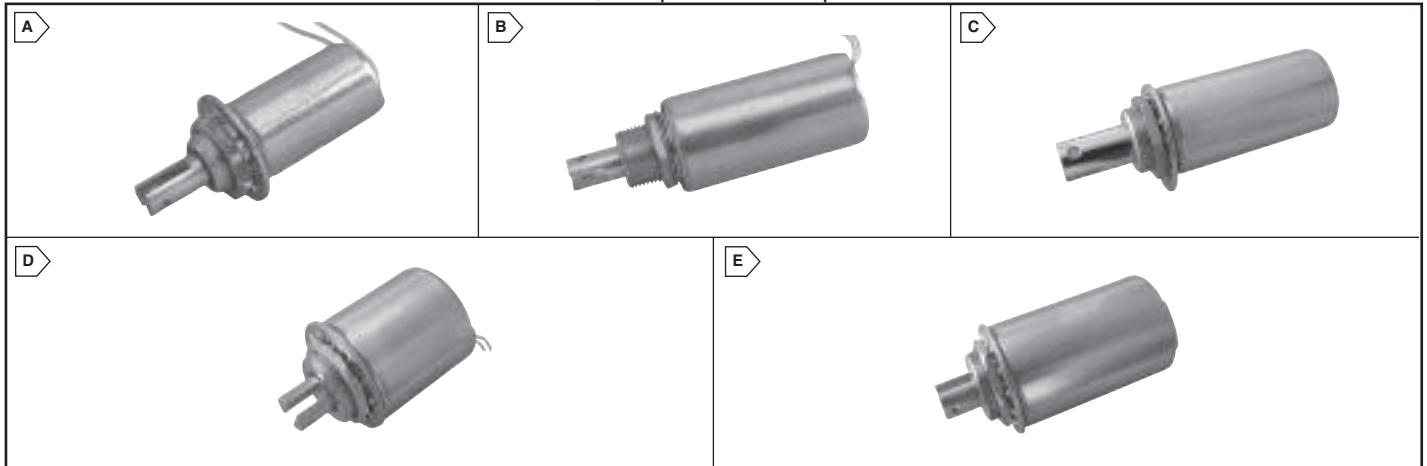


ELECTROSWITCH Tubular Solenoids



RoHS Compliant This product is RoHS compliant.



TUBULAR SOLENOIDS

Specifications:

- Dielectric Strength: 500 VRMS
- Insulation Material: Class 'A' (105°C)
- Life Expectancy: 10 million cycles at rated load



RoHS Compliant

For quantities of 50 and up, call for quote.

MOUSER STOCK NO.	Electroswitch Part Number	Fig.	Duty Cycle	Nominal Voltage	O.F. (oz.)	Push/Pull	Stroke	Overall Diameter	Length	Mounting Threads	Price Each		
											1	10	25
690-C8-141012DC-AY	C8-141012DC-AY	A	Intermittent	12 VDC	3	Pull	1/4	1/2"	7/8"	3/8 - 32	16.94	15.12	14.44
690-C8-141024DC-AY	C8-141024DC-AY	A	Intermittent	24 VDC	3	Pull	1/4	1/2"	7/8"	3/8 - 32	16.94	15.12	14.44
690-C8-14C12DC-AY	C8-14C12DC-AY	A	Continuous	12 VDC	30	Pull	1	1/2"	7/8"	3/8 - 32	16.94	15.12	14.44
690-C8-14C24DC-AP	C8-14C24DC-AP	A	Continuous	24 VDC	30	Push	1	1/2"	7/8"	3/8 - 32	16.94	15.12	14.44
690-C8-14C24DC-AY	C8-14C24DC-AY	A	Continuous	24 VDC	30	Pull	1	1/2"	7/8"	3/8 - 32	16.94	15.12	14.44
690-C12-241012DC-AY	C12-241012DC-AY	B	Intermittent	12 VDC	17	Pull	1	3/4"	1 1/2"	15/32 - 32	18.41	16.64	15.77
690-C12-241024DC-AP	C12-241024DC-AP	B	Intermittent	24 VDC	17	Push	1	3/4"	1 1/2"	15/32 - 32	19.16	17.44	16.64
690-C12-241024DC-AY	C12-241024DC-AY	B	Intermittent	24 VDC	17	Pull	1	3/4"	1 1/2"	15/32 - 32	18.44	16.84	16.10
690-C12-24C12DC-AY	C12-24C12DC-AY	B	Continuous	12 VDC	4	Pull	3/4	3/4"	1 1/2"	15/32 - 32	17.90	16.14	15.46
690-C12-24C24DC-AP	C12-24C24DC-AP	B	Continuous	24 VDC	4	Push	3/4	3/4"	1 1/2"	15/32 - 32	19.16	17.44	16.64
690-C12-24C24DC-AY	C12-24C24DC-AY	B	Continuous	24 VDC	4	Pull	3/4	3/4"	1 1/2"	15/32 - 32	18.44	16.84	16.10
690-C16-321012DC-AY	C16-321012DC-AY	C	Intermittent	12 VDC	74	Pull	1	1"	2"	3/4 - 24	23.11	21.12	19.97
690-C16-321024DC-AY	C16-321024DC-AY	C	Intermittent	24 VDC	74	Pull	1	1"	2"	3/4 - 24	23.11	21.12	19.97
690-C16-32C12DC-AY	C16-32C12DC-AY	C	Continuous	12 VDC	26	Pull	1	1"	2"	3/4 - 24	23.86	21.60	20.68
690-C16-32C24DC-AY	C16-32C24DC-AY	C	Continuous	24 VDC	26	Pull	1	1"	2"	3/4 - 24	23.86	21.60	20.68
690-C24-261012DC-AP	C24-261012DC-AP	D	Intermittent	12 VDC	130	Push	1	1 1/2"	1 5/8"	1 - 27	31.00	29.81	29.34
690-C24-261024DC-AP	C24-261024DC-AP	D	Intermittent	24 VDC	130	Pull	1	1 1/2"	1 5/8"	1 - 27	31.30	30.12	29.66
690-C24-26C24DC-AY	C24-26C24DC-AY	D	Continuous	24 VDC	130	Pull	1	1 1/2"	1 5/8"	1 - 27	31.00	29.81	29.34
690-C24-26C12DC-AY	C24-26C12DC-AY	D	Continuous	12 VDC	130	Pull	1	1 1/2"	1 5/8"	1 - 27	31.00	29.81	29.34
690-C24-261012DC-AY	C24-261012DC-AY	D	Intermittent	12 VDC	130	Pull	1	1 1/2"	1 5/8"	1 - 27	31.30	30.12	29.66
690-C24-381012DC-AP	C24-38C12DC-AY	E	Continuous	12 VDC	140	Pull	1	1 1/2"	2 3/8"	1 - 27	36.54	32.88	31.36
690-C24-381012DC-AY	C24-381012DC-AY	E	Intermittent	12 VDC	140	Pull	1	1 1/2"	2 3/8"	1 - 27	38.74	34.51	33.02
690-C24-381024DC-AY	C24-381024DC-AY	E	Intermittent	24 VDC	140	Pull	1	1 1/2"	2 3/8"	1 - 27	36.39	32.71	31.20
690-C24-38C12DC-AP	C24-38C12DC-AP	E	Continuous	12 VDC	60	Push	1	1 1/2"	2 3/8"	1 - 27	36.54	32.88	31.36
690-C24-38C24DC-AP	C24-38C24DC-AY	E	Continuous	24 VDC	60	Pull	1	1 1/2"	2 3/8"	1 - 27	36.03	32.56	31.00

Electroswitch

Solenoids