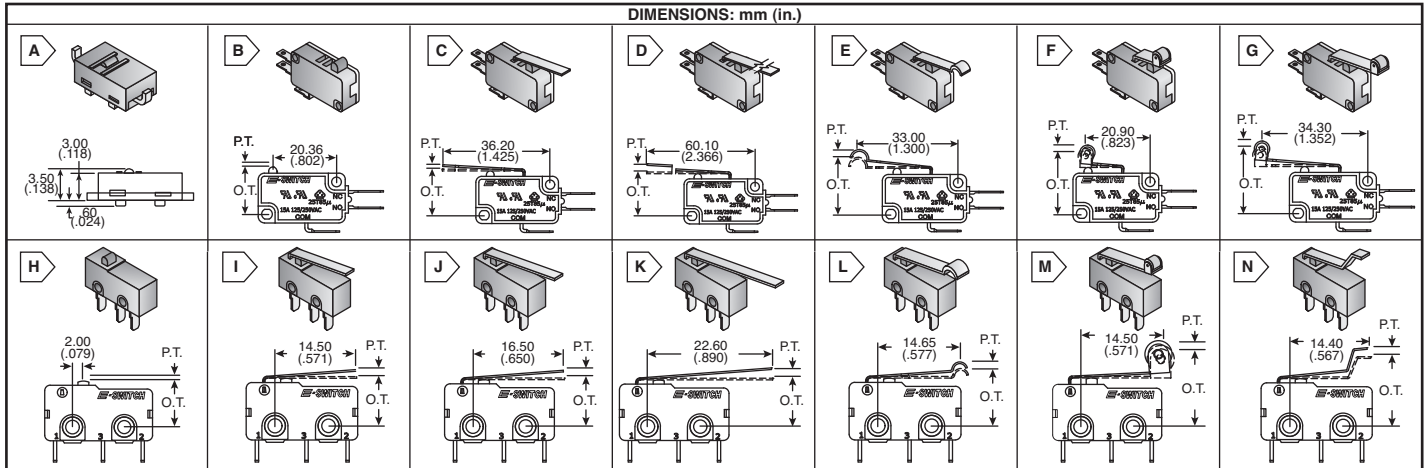


# E-SWITCH Snap Action Switches



## E-SWITCH TS2 SERIES: SMT SNAP ACTION SWITCH

**Features & Benefits:**

- Surface mount termination
- Subminiature package size
- Designed for higher reliability

**Applications:**

- Appliance
- Timing controls
- Testing / instrumentation
- Gaming and vending machines



RoHS Compliant

For quantities greater than 250, call for quote.

MOUSER STOCK NO.	E-Switch Part No.	Fig.	Current Rating	Actuator	Operating Force	Terminal Type	Price Each		
							1	10	100
612-TS20100F070S	TS20100F070S	A	0.1a @48	No lever	70gf	SMT	.86	.69	.62

## E-SWITCH LS SERIES: STANDARD SNAP ACTION SWITCHES

**Specifications:**

- Mechanical Life: 1M cycles typical
- Dielectric Strength: 1,500 VAC for 60 seconds
- Life Expectancy: 50,000 cycles minimum

**Features:**

- Available in silver (std) or gold contact
- Terminals: Copper Alloy

**Typical Applications:**

- Timing controls
- Vending machines
- Gaming

P.T.: Pretravel  
O.T.: Operating Point



RoHS Compliant

For quantities greater than 500, call for quote.

MOUSER STOCK NO.	E-Switch Part No.	Fig.	Current Rating	Termination	Circuit	Price Each				
						1	25	50	100	500
612-LS0851500F100C1A	LS0851500F100C1A	B	15A	0.187" Quick Connect	SPDT	1.80	1.62	1.38	1.14	.96
612-LS0851500F100C2A	LS0851500F100C2A	B	15A	0.250" Quick Connect	SPDT	1.53	1.37	1.17	.97	.817
612-LS0851500F100S1A	LS0851500F100S1A	B	15A	Solder Lug	SPDT	1.53	1.37	1.17	.97	.817
612-LS0851500F160C1A	LS0851500F160C1A	B	15A	0.187" Quick Connect	SPDT	1.53	1.37	1.17	.97	.817
612-LS0851500F160C2A	LS0851500F160C2A	B	15A	0.250" Quick Connect	SPDT	1.53	1.37	1.17	.97	.817
612-LS0851502F045S1A	LS0851502F045S1A	C	15A	Solder Lug	SPDT	1.58	1.42	1.21	1.00	.843
612-LS0851502F075C1A	LS0851502F075C1A	C	15A	0.187" Quick Connect	SPDT	1.58	1.42	1.21	1.00	.843
612-LS0851502F075S1A	LS0851502F075S1A	C	15A	Solder Lug	SPDT	1.58	1.42	1.21	1.00	.843
612-LS0851503F040C1A	LS0851503F040C1A	D	15A	0.187" Quick Connect	SPDT	1.58	1.42	1.21	1.00	.843
612-LS0851503F040C1C	LS0851503F040C1C	D	15A	0.187" Quick Connect	SPST NO	1.58	1.42	1.21	1.00	.843
612-LS0851504F085C1A	LS0851504F085C1A	E	15A	0.187" Quick Connect	SPDT	1.63	1.47	1.25	1.03	.87
612-LS0851504F140C1A	LS0851504F140C1A	E	15A	0.187" Quick Connect	SPDT	1.63	1.46	1.25	1.03	.868
612-LS0851505F250C1A	LS0851505F250C1A	F	15A	0.187" Quick Connect	SPDT	1.68	1.51	1.29	1.06	.893
612-LS0851506F120C1A	LS0851506F120C1A	G	15A	0.187" Quick Connect	SPDT	1.68	1.51	1.29	1.06	.893

## E-SWITCH MS SERIES: SNAP ACTION SWITCHES - MINIATURE

**Specifications:**

- Mechanical Life: 100,000 cycles typical
- Operating Temperature: -25° C to 85° C (std)

P.T.: Pretravel  
O.T.: Operating Point



RoHS Compliant

For quantities greater than 500, call for quote.

MOUSER STOCK NO.	E-Switch Part No.	Fig.	Current Rating	Termination	Circuit	Price Each				
						1	25	50	100	500
612-MS0850500F060C1A	MS0850500F060C1A	H	5A	0.110" Quick Connect	SPDT	.96	.87	.74	.61	.513
612-MS0850500F060S1A	MS0850500F060S1A	H	5A	Solder Lug	SPDT	.96	.87	.74	.61	.513
612-MS0850500F080C1A	MS0850500F080C1A	H	5A	0.110" Quick Connect	SPDT	.96	.87	.74	.61	.513
612-MS0850500F080P1A	MS0850500F080P1A	H	5A	PCB Pin	SPDT	.96	.87	.74	.61	.513
612-MS0850500F080S1A	MS0850500F080S1A	H	5A	Solder Lug	SPDT	.96	.87	.74	.61	.513
612-MS0850500F130P1A	MS0850500F130P1A	H	5A	PCB Pin	SPDT	.96	.87	.74	.61	.513
612-MS0850500F150C1A	MS0850500F150C1A	H	5A	0.110" Quick Connect	SPDT	.96	.87	.74	.61	.513
612-MS0850500F150P1A	MS0850500F150P1A	H	5A	PCB Pin	SPDT	.96	.87	.74	.61	.513
612-MS0850500F250S1A	MS0850500F250S1A	H	5A	Solder Lug	SPDT	.96	.87	.74	.61	.513
612-MS0850500F295S1A	MS0850500F295S1A	H	5A	Solder Lug	SPDT	.96	.87	.74	.61	.513
612-MS0850501F025C1A	MS0850501F025C1A	I	5A	0.110" Quick Connect	SPDT	1.02	.91	.78	.64	.547
612-MS0850501F045S1A	MS0850501F045S1A	I	5A	Solder Lug	SPDT	1.02	.91	.78	.64	.547
612-MS0850501F070S1A	MS0850501F070S1A	I	5A	Solder Lug	SPDT	1.02	.91	.78	.64	.547
612-MS0850502F020S1A	MS0850502F020S1A	J	5A	Solder Lug	SPDT	1.02	.91	.78	.64	.547
612-MS0850502F030P1A	MS0850502F030P1A	J	5A	PCB Pin	SPDT	1.02	.91	.78	.64	.547
612-MS0850502F050S1A	MS0850502F050S1A	J	5A	Solder Lug	SPDT	1.02	.91	.78	.64	.547
612-MS0850503F010P1A	MS0850503F010P1A	K	5A	PCB Pin	SPDT	1.02	.91	.78	.64	.547
612-MS0850503F010S1A	MS0850503F010S1A	K	5A	Solder Lug	SPDT	1.08	.97	.83	.68	.58
612-MS0850503F025P1A	MS0850503F025P1A	K	5A	PCB Pin	SPDT	1.02	.91	.78	.64	.547
612-MS0850503F025S1A	MS0850503F025S1A	K	5A	Solder Lug	SPDT	1.02	.91	.78	.64	.547
612-MS0850503F040S1A	MS0850503F040S1A	K	5A	Solder Lug	SPDT	1.02	.91	.78	.64	.547
612-MS0850503F055P1A	MS0850503F055P1A	K	5A	PCB Pin	SPDT	1.02	.91	.78	.64	.547
612-MS0850504F020S1A	MS0850504F020S1A	L	5A	Solder Lug	SPDT	1.07	.96	.82	.67	.569
612-MS0850504F035C1A	MS0850504F035C1A	L	5A	0.110" Quick Connect	SPDT	1.07	.96	.82	.67	.569
612-MS0850504F035P1A	MS0850504F035P1A	L	5A	PCB Pin	SPDT	1.07	.96	.82	.67	.569
612-MS0850504F035S1A	MS0850504F035S1A	L	5A	Solder Lug	SPDT	1.07	.96	.82	.67	.569
612-MS0850504F045P1A	MS0850504F045P1A	L	5A	PCB Pin	SPDT	1.07	.96	.82	.67	.569
612-MS0850504F065C1A	MS0850504F065C1A	L	5A	0.110" Quick Connect	SPDT	1.07	.96	.82	.67	.569
612-MS0850505F035C1A	MS0850505F035C1A	M	5A	0.110" Quick Connect	SPDT	1.12	1.00	.86	.70	.594
612-MS0850505F045S1A	MS0850505F045S1A	M	5A	Solder Lug	SPDT	1.12	1.00	.86	.70	.594
612-MS0850505F050C1A	MS0850505F050C1A	M	5A	0.110" Quick Connect	SPDT	1.12	1.00	.86	.70	.594
612-MS0850505F050P1A	MS0850505F050P1A	M	5A	PCB Pin	SPDT	1.12	1.00	.86	.70	.594
612-MS0850505F075S1A	MS0850505F075S1A	M	5A	Solder Lug	SPDT	1.12	1.00	.86	.70	.594
612-MS0850507F025C1A	MS0850507F025C1A	N	5A	0.110" Quick Connect	SPDT	1.07	.96	.82	.67	.569
612-MS0850507F040S1A	MS0850507F040S1A	N	5A	Solder Lug	SPDT	1.07	.96	.82	.67	.569