


AMP Economy Power Connector System

 **This product is RoHS compliant.**

WIRE-TO-BOARD CONNECTOR SYSTEM

AMP Economy Power connectors are designed for secondary power circuit applications. They consist of wire-to-pc board plug housings (for receptacle contacts) and mating post headers. During mating, the positive locking lever on the outside of the plug housing engages the mating header housing to provide for greater retention.

Features:

- .156" centerline
- Hooded contact designed to accept wire with insulation diameters up to .118"
- Positive locking feature built into header back wall
- Locking mechanism on connector housing maximizes retention
- Polarization tabs help prevent post misalignment and mismatching
- Low-profile mating height of .641"



E28476



LR7189

Specifications:

- Voltage Rating: 250 VAC
- Current Rating: 7.5 amp max. (2 to 12 pos.) 8 amp max. (1 pos)
- Durability: 50 mating and unmating cycles
- Operating Temperature: -25°C to +105°C
- Wire Size Range: 18-22 AWG

Plug Housings

Material and Finish:

- Housing: UL 94V-0 rated nylon, natural color
- RoHS Compliant per Tyco Electronics documentation



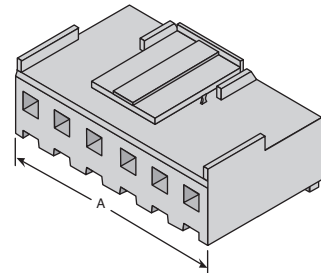
RoHS Compliant

For quantities of 100 and up, call for quote.

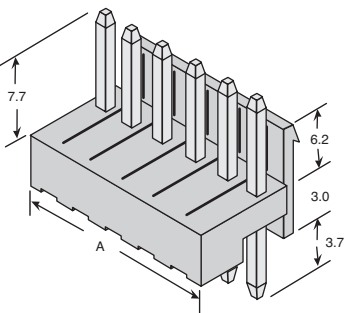
MOUSER STOCK NO.	AMP Part No.	Fig.	No. of Positions	Dimension A	Price Each			
					1	10	25	50
571-111237222	1-1123722-2	A	2	.310 (7.86)	.16	.14	.11	.089
571-111237223	1-1123722-3	A	3	.465 (11.82)	.14	.13	.12	.11
571-111237224	1-1123722-4	A	4	.621 (15.78)	.20	.19	.17	.15
571-111237225	1-1123722-5	A	5	.777 (19.74)	.25	.22	.21	.18
571-111237226	1-1123722-6	A	6	.933 (23.70)	.23	.21	.196	.179
571-111237227	1-1123722-7	A	7	1.089 (27.66)	.26	.25	.241	.231
571-111237228	1-1123722-8	A	8	1.245 (31.62)	.33	.29	.26	.25
571-111237229	1-1123722-9	A	9	1.401 (35.58)	.42	.40	.38	.36
571-111237220	1-1123722-0	A	10	1.557 (39.54)	.52	.48	.46	.437
571-111237221	1-1123722-1	A	11	1.713 (43.50)	.58	.52	.49	.46
571-16476902	1-647690-2	A	12	1.869 (47.47)	.79	.71	.671	.64

DIMENSIONS: mm

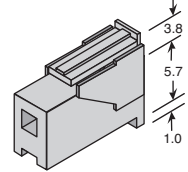
A



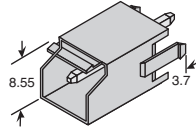
B



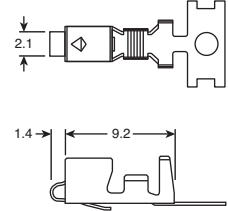
C



D



E



Vertical Post Headers, Low-Profile

Material and Finish:

- Housing: UL 94V-0 rated nylon, natural color
- Post: Tin-plated brass
- RoHS Compliant per Tyco Electronics documentation



RoHS Compliant

For quantities of 100 and up, call for quote.

MOUSER STOCK NO.	AMP Part No.	Fig.	No. of Positions	Dimension A	Price Each			
					1	10	25	50
571-111237232	1-1123723-2	B	2	.310 (7.86)	.21	.19	.17	.16
571-111237233	1-1123723-3	B	3	.465 (11.82)	.35	.32	.29	.27
571-111237234	1-1123723-4	B	4	.621 (15.78)	.34	.31	.29	.28
571-111237235	1-1123723-5	B	5	.777 (19.74)	.51	.48	.45	.43
571-111237236	1-1123723-6	B	6	.933 (23.70)	.53	.50	.472	.45
571-111237237	1-1123723-7	B	7	1.089 (27.66)	.59	.57	.548	.525
571-111237238	1-1123723-8	B	8	1.245 (31.62)	.71	.64	.61	.57
571-111237239	1-1123723-9	B	9	1.401 (35.58)	.92	.84	.79	.73
571-111237230	1-1123723-0	B	10	1.557 (39.54)	1.05	.95	.89	.82
571-111237231	1-1123723-1	B	11	1.713 (43.50)	1.05	.96	.91	.89
571-16476892	1-647689-2	B	12	1.869 (47.47)	.98	.89	.844	.793

1 Position Plug Housing and Post Header, High Profile

Material and Finish:

- Housing: UL 94V-0 rated nylon, natural color
- RoHS Compliant per Tyco Electronics documentation



RoHS Compliant

For quantities of 100 and up, call for quote.

MOUSER STOCK NO.	AMP Part No.	Fig.	No. of Positions	Description	Price Each			
					1	10	25	50
571-111238231	1-1123823-1	C	1	Plug Housing	.48	.43	.40	.38
571-111238241	1-1123824-1	D	1	Post Header	.48	.43	.40	.38

Crimp, Snap-in Receptacle Contacts

- Wire Insulation Diameter: .067"-.118"
- RoHS Compliant per Tyco Electronics documentation



RoHS Compliant

For quantities of 2000 and up, call for quote.

MOUSER STOCK NO.	AMP Part No.	Fig.	Wire Size AWG	Material and Finish	Price Each			
					1	100	500	1000
571-11237211	1123721-1	E	18-22	Phos. Br., Pre-Tin	.15	.10	.062	.055
571-11237212	1123721-2	E	18-22	Brass, Pre-Tin	.15	.10	.062	.055