

## 9157 SERIES I/O CONNECTORS

### Features:

- Patented 20° angled face on socket gives self-cleaning face when mated with plug
- Metal Latching area integral to socket which saves PCB real estate
- Integral to socket is a mechanical 50Ω switching coax SMT termination

### Specifications:

- 15 signal contacts on 1mm pitch rated at 1.5A
- RoHS compliant per AVX documentation



RoHS Compliant

For quantities of 100 and up, call for quote.

MOUSER STOCK NO.	AVX Part No.	Fig.	Description	Price Each			
				1	10	25	50
581-109157015000006	109157015000006	A	15P Plug Solder Wire	2.46	2.34	2.22	2.11
581-109157015001006	109157015001006	B	15P Plug Solder Wire with RF contact	14.82	14.12	13.42	12.71
581-109157019000006	109157019000006	C	19P Plug Solder Wire	3.47	3.30	3.14	2.97
581-209157015000006	209157015000006	D	15P Socket, 90° SMT	1.91	1.82	1.73	1.64
581-209157015001006	209157015001006	E	15P Socket, 90° SMT with RF contact	2.75	2.62	2.49	2.36
581-209157019000006	209157019000006	F	19P Socket, 90° SMT	4.18	3.98	3.78	3.58
581-309157970000035	309157970000035	G	Cover Kit Screw/Press-fit Version	2.60	2.48	2.36	2.23

## 9257 SERIES REDUCED SIZE I/O CONNECTORS

### Features:

- No latching is required due to click design of contacts
- Compact size to optimize PCB real estate
- Metal outer cover provides integrated PCB location and solder tab

### Specifications:

- 5K mating cycles and 1A rated
- Socket houses 16 contacts, 2 rows on 1.25mm pitch
- Socket has rating 1 Amp per contact
- RoHS compliant per AVX documentation



RoHS Compliant

For quantities of 100 and up, call for quote.

MOUSER STOCK NO.	AVX Part No.	Fig.	Description	Price Each			
				1	10	25	50
581-109257016001003	109257016001003	H	Plug 16 Way Dual Sided	1.87	1.78	1.69	1.60
581-209257016001013	209257016001013	I	Socket 16 Way	1.39	1.32	1.25	1.19

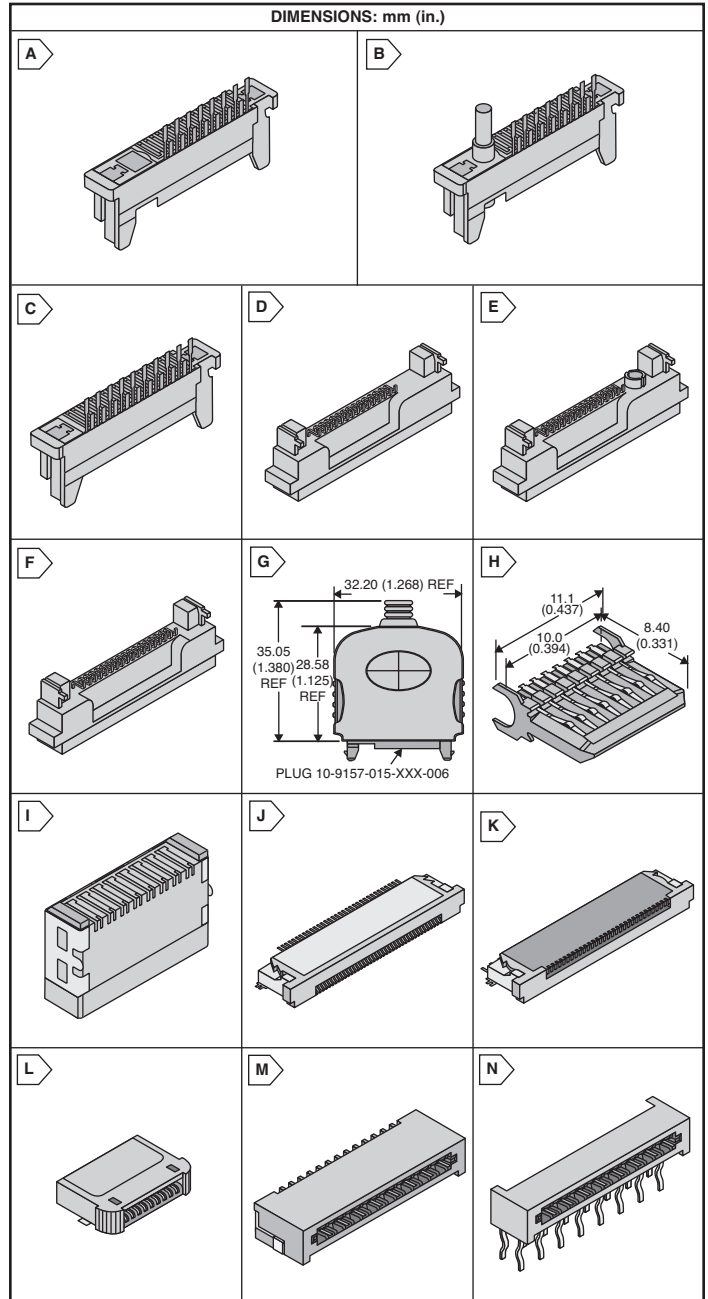
## FFC CONNECTORS



RoHS Compliant

For quantities of 500 and up, call for quote.

MOUSER STOCK NO.	AVX Part No.	Fig.	No. of Contacts	Orientation	Description (Contact)	Price Each			
						1	25	50	100
<b>.5MM - ZIF, SMT</b>									
581-046288008000846+	046288008000846+	J	8	Rt Ang	Bottom	1.03	.85	.79	.65
581-046288010000846+	046288010000846+	J	10	Rt Ang	Bottom	1.06	.90	.81	.67
581-046288012000846+	046288012000846+	J	12	Rt Ang	Bottom	1.38	1.16	1.06	.87
581-046288015000846+	046288015000846+	J	15	Rt Ang	Bottom	1.35	1.15	1.05	.94
581-046288016000846+	046288016000846+	J	16	Rt Ang	Bottom	1.37	1.18	1.08	.94
581-046288020000846+	046288020000846+	J	20	Rt Ang	Bottom	1.48	1.25	1.15	.94
581-046288024000846+	046288024000846+	J	24	Rt Ang	Bottom	2.10	1.75	1.63	1.34
581-046288026000846+	046288026000846+	J	26	Rt Ang	Bottom	1.69	1.39	1.31	1.08
581-046288030000846+	046288030000846+	J	30	Rt Ang	Bottom	1.65	1.41	1.32	1.11
581-046288040000846+	046288040000846+	J	40	Rt Ang	Bottom	1.91	1.64	1.53	1.28
581-046288050000846+	046288050000846+	J	50	Rt Ang	Bottom	2.20	2.05	1.76	1.48
581-046240054005800+	046240054005800+	J	54	Rt Ang	Bottom	1.95	1.87	1.78	1.69
581-046288055000846+	046288055000846+	J	55	Rt Ang	Bottom	2.15	2.02	1.77	1.50
581-046288060000846+	046288060000846+	J	60	Rt Ang	Bottom	2.63	2.39	2.17	1.83
581-086210033340800+	086210033340800+	J	33	Rt Ang	Bottom	2.07	2.02	1.93	1.88
581-0862122418	086212024010800	K	24	Rt Ang	Top	1.92	1.83	1.62	1.46
<b>1MM - ZIF, SMT</b>									
581-006200509130000+	006200509130000+	L	9	Rt Ang	Bottom	1.14	.97	.93	.86
<b>1.25MM - LIF, SMT</b>									
581-006207341914000+	006207341914000+	M	14	Rt Ang	Dual Side	1.05	1.02	.98	.95
581-08370167000800	008370167000800	N	16	Rt Ang	Dual Side	.80	.70	.62	.56



Rectangular Connectors AVX