

# 3M™ 2mm x 2mm Latch/Ejector Headers



This product is RoHS compliant.

## 2MM LATCH/EJECTOR HEADERS

### Features:

- Latch/eject mechanism maintains a secure connection
- Roll pins retain latches to body in shipping and high vibration environments
- Ejector helps make removal of assemblies easy
- High temperature insulators suitable for "lead free" processing and meet JEDEC J-STD-020C
- RoHS compliant per 3M™ documentation
- Mates with 3M™ 1552 Series IDC Wiremount Sockets or 3M™ Molded Cable Assemblies

### Specifications:

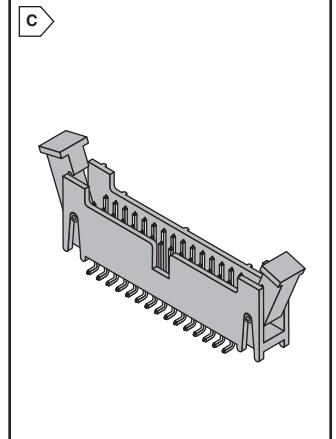
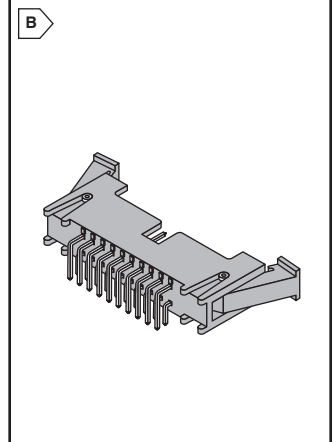
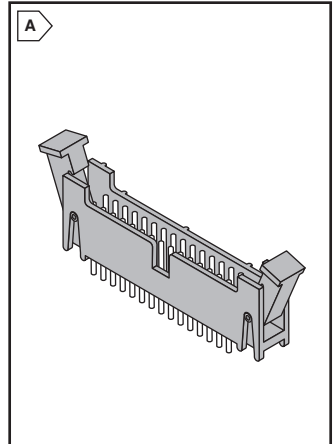
- Insulation Material: Glass Filled Polyester (PCT)
- Flammability: UL 94V-0
- Contact Material: Copper Alloy
- Withstanding Voltage: 1000Vms at Sea Level
- Current Rating: 1A
- Plating: 30µ" Gold



RoHS Compliant

For quantities of 100 and up, call for quote.

MOUSER STOCK NO.	3M Part No.	Fig.	No. of Contacts	Latching	Solder Tail Length in. (mm)	Price Each		
						1	25	50
<b>1552 Series Straight Through Hole</b>								
<a href="#">517-155210-6202-RB</a>	155210-6202-RB	A	10	Mold-on socket latch	.112" (2.84)	3.76	3.47	3.22
<a href="#">517-155212-6302-RB</a>	155212-6302-RB	A	12	Press-on socket latch	.112" (2.84)	3.87	3.70	3.59
<a href="#">517-155212-6303-RB</a>	155212-6303-RB	A	12	Press-on socket latch	.155" (3.94)	3.87	3.70	3.59
<a href="#">517-155216-6202-RB</a>	155216-6202-RB	A	16	Mold-on socket latch	.112" (2.84)	4.22	3.89	3.61
<a href="#">517-155220-6202-RB</a>	155220-6202-RB	A	20	Mold-on socket latch	.112" (2.84)	4.35	4.02	3.76
<a href="#">517-155220-6302-RB</a>	155220-6302-RB	A	20	Press-on socket latch	.112" (2.84)	4.35	4.02	3.76
<a href="#">517-155220-6203-RB</a>	155220-6203-RB	A	20	Mold-on socket latch	.155" (3.94)	4.35	4.02	3.76
<a href="#">517-155224-6202-RB</a>	155224-6202-RB	A	24	Mold-on socket latch	.112" (2.84)	4.73	4.36	4.05
<a href="#">517-155226-6202-RB</a>	155226-6202-RB	A	26	Mold-on socket latch	.112" (2.84)	5.13	4.74	4.40
<a href="#">517-155226-6302-RB</a>	155226-6302-RB	A	26	Press-on socket latch	.112" (2.84)	6.28	6.04	5.74
<a href="#">517-155226-6303-RB</a>	155226-6303-RB	A	26	Press-on socket latch	.155" (3.94)	6.28	6.04	5.74
<a href="#">517-155230-6202-RB</a>	155230-6202-RB	A	30	Mold-on socket latch	.112" (2.84)	5.92	5.46	5.07
<a href="#">517-155230-6203-RB</a>	155230-6203-RB	A	30	Mold-on socket latch	.155" (3.94)	6.02	5.57	5.19
<a href="#">517-155234-6202-RB</a>	155234-6202-RB	A	34	Mold-on socket latch	.112" (2.84)	6.84	6.32	5.89
<a href="#">517-155240-6202-RB</a>	155240-6202-RB	A	40	Mold-on socket latch	.112" (2.84)	7.89	7.28	6.76
<a href="#">517-155244-6202-RB</a>	155244-6202-RB	A	44	Mold-on socket latch	.112" (2.84)	8.83	8.16	7.60
<a href="#">517-155244-6303-RB</a>	155244-6303-RB	A	44	Press-on socket latch	.155" (3.94)	8.83	8.16	7.60
<a href="#">517-155250-6202-RB</a>	155250-6202-RB	A	50	Mold-on socket latch	.112" (2.84)	9.86	9.10	8.65
<a href="#">517-155250-6303-RB</a>	155250-6303-RB	A	50	Press-on socket latch	.155" (3.94)	9.86	9.10	8.65
<b>1552 Series Right Angle Through Hole</b>								
<a href="#">517-155210-5203-RB</a>	155210-5203-RB	B	10	Mold-on socket latch	.155" (3.94)	5.95	5.15	4.86
<a href="#">517-155212-5302-RB</a>	155212-5302-RB	B	12	Press-on socket latch	.112" (2.84)	4.14	3.80	3.56
<a href="#">517-155212-5303-RB</a>	155212-5303-RB	B	12	Press-on socket latch	.155" (3.94)	4.14	3.80	3.56
<a href="#">517-155220-5202-RB</a>	155220-5202-RB	B	20	Mold-on socket latch	.112" (2.84)	6.75	5.95	5.64
<a href="#">517-155220-5203-RB</a>	155220-5203-RB	B	20	Mold-on socket latch	.155" (3.94)	6.75	5.95	5.64
<a href="#">517-155224-5202-RB</a>	155224-5202-RB	B	24	Mold-on socket latch	.112" (2.84)	6.76	6.15	5.41
<a href="#">517-155224-5203-RB</a>	155224-5203-RB	B	24	Mold-on socket latch	.155" (3.94)	6.76	6.15	5.41
<a href="#">517-155226-5202-RB</a>	155226-5202-RB	B	26	Mold-on socket latch	.112" (2.84)	5.76	5.33	4.97
<a href="#">517-155226-5302-RB</a>	155226-5302-RB	B	26	Press-on socket latch	.112" (2.84)	5.76	5.33	4.97
<a href="#">517-155226-5203-RB</a>	155226-5203-RB	B	26	Mold-on socket latch	.155" (3.94)	5.76	5.33	4.97
<a href="#">517-155226-5303-RB</a>	155226-5303-RB	B	26	Press-on socket latch	.155" (3.94)	5.76	5.33	4.97
<a href="#">517-155230-5202-RB</a>	155230-5202-RB	B	30	Mold-on socket latch	.112" (2.84)	8.45	8.15	7.68
<a href="#">517-155230-5203-RB</a>	155230-5203-RB	B	30	Mold-on socket latch	.155" (3.94)	6.65	6.15	5.73
<a href="#">517-155240-5202-RB</a>	155240-5202-RB	B	40	Mold-on socket latch	.112" (2.84)	8.86	8.20	7.63
<a href="#">517-155240-5302-RB</a>	155240-5302-RB	B	40	Press-on socket latch	.112" (2.84)	8.86	8.20	7.63
<a href="#">517-155240-5203-RB</a>	155240-5203-RB	B	40	Mold-on socket latch	.155" (3.94)	8.86	8.20	7.63
<a href="#">517-155240-5303-RB</a>	155240-5303-RB	B	40	Press-on socket latch	.155" (3.94)	8.86	8.20	7.63
<a href="#">517-155244-5202-RB</a>	155244-5202-RB	B	44	Mold-on socket latch	.112" (2.84)	9.74	9.01	8.39
<a href="#">517-155244-5203-RB</a>	155244-5203-RB	B	44	Mold-on socket latch	.155" (3.94)	9.74	9.01	8.39
<a href="#">517-155244-5303-RB</a>	155244-5303-RB	B	44	Press-on socket latch	.155" (3.94)	9.74	9.01	8.39
<a href="#">517-155250-5202-RB</a>	155250-5202-RB	B	50	Mold-on socket latch	.112" (2.84)	14.08	13.44	12.80
<a href="#">517-155250-5302-RB</a>	155250-5302-RB	B	50	Press-on socket latch	.112" (2.84)	13.31	12.80	12.16
<a href="#">517-155250-5203-RB</a>	155250-5203-RB	B	50	Mold-on socket latch	.155" (3.94)	11.08	10.24	9.54
<a href="#">517-155250-5303-RB</a>	155250-5303-RB	B	50	Press-on socket latch	.155" (3.94)	11.08	10.24	9.54
<b>1552 Series Vertical Surface Mount</b>								
<a href="#">517-155210-2200-RB</a>	155210-2200-RB	C	10	Mold-on socket latch	---	5.97	5.45	5.17
<a href="#">517-155210-2300-RB</a>	155210-2300-RB	C	10	Press-on socket latch	---	5.97	5.45	5.17
<a href="#">517-155212-2300-RB</a>	155212-2300-RB	C	12	Press-on socket latch	---	4.91	4.13	3.95
<a href="#">517-155216-2200-RB</a>	155216-2200-RB	C	16	Mold-on socket latch	---	5.45	5.04	4.70
<a href="#">517-155220-2200-RB</a>	155220-2200-RB	C	20	Mold-on socket latch	---	5.75	5.32	4.95
<a href="#">517-155224-2200-RB</a>	155224-2200-RB	C	24	Mold-on socket latch	---	6.27	5.47	5.11
<a href="#">517-155226-2300-RB</a>	155226-2300-RB	C	26	Press-on socket latch	---	6.80	6.29	5.86
<a href="#">517-155230-2200-RB</a>	155230-2200-RB	C	30	Mold-on socket latch	---	7.84	7.25	6.75
<a href="#">517-155244-2200-RB</a>	155244-2200-RB	C	44	Mold-on socket latch	---	11.49	10.63	9.90
<a href="#">517-155244-2300-RB</a>	155244-2300-RB	C	44	Press-on socket latch	---	11.49	10.63	9.90
<a href="#">517-155250-2200-RB</a>	155250-2200-RB	C	50	Mold-on socket latch	---	13.07	12.08	11.25
<a href="#">517-155250-2300-RB</a>	155250-2300-RB	C	50	Press-on socket latch	---	13.07	12.08	11.25



Rectangular Connectors 3M