

ELPAC AC Medical Power Supplies



7 WATT MEDICAL POWER SUPPLIES

Specifications:

- Input Voltage: 100-240 VAC
- Input Mating Connector: Molex p/n 50-37-5033
- Output Mating Connector: Molex p/n 50-37-5023
- Mating Connector Contacts: Molex p/n 08-70-1040

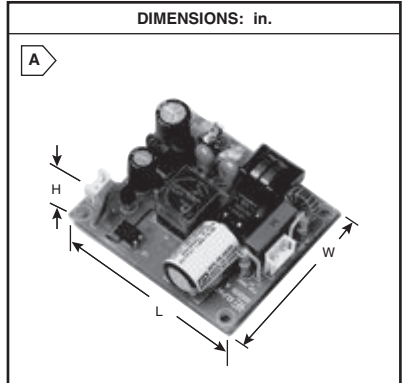
Features:

- Wide Range AC Input, Fully Regulated Output
- Efficiency: 80% @ Full Load
- Meets FCC Class B, CISPR 11 Class B
- IEC 60601-1



For quantities of 50 and up, call for quote.

MOUSER STOCK NO.	Elpac Part No.	Fig.	DC Output Voltage	Output Current	Power	Dimensions: in.			Price Each			
						L	W	H	1	5	10	25
680-MSM0705	MSM0705	A	5.1V	1.4A	7W	2.28	2	0.713	25.62	25.05	24.30	21.63
680-MSM0712	MSM0712	A	12V	0.6A	7W	2.28	2	0.713	25.62	25.05	24.30	21.63
680-MSM0715	MSM0715	A	15V	0.5A	7W	2.28	2	0.713	25.62	25.05	24.30	21.63
680-MSM0724	MSM0724	A	24V	0.3A	7W	2.28	2	0.713	25.62	25.05	24.30	21.63
680-MSM0728	MSM0728	A	28V	0.3A	7W	2.28	2	0.713	25.62	25.05	24.30	21.63



20 WATT MEDICAL POWER SUPPLIES

Specifications:

- Input Voltage: 100-240 VAC
- Input/ Output Connection: 8.0" Wire Leads

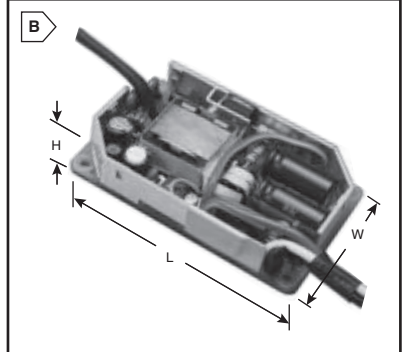
Features:

- Wide Range AC Input, Fully Regulated Output
- Efficiency: 80% @ Full Load
- Meets FCC Class B, CISPR 11 Class B
- IEC 60601-1



For quantities of 50 and up, call for quote.

MOUSER STOCK NO.	Elpac Part No.	Fig.	DC Output Voltage	Output Current	Power	Dimensions: in.			Price Each			
						L	W	H	1	5	10	25
680-MSM2015	MSM2015	B	15V	1.34A	20W	3.54	2.16	0.71	37.74	36.01	34.35	31.88
680-MSM2024	MSM2024	B	24V	0.84A	20W	3.54	2.16	0.71	43.95	39.56	36.48	31.43



28 WATT MEDICAL POWER SUPPLIES

Specifications:

- Input Voltage: 100-240 VAC
- Input Mating Connector: AMP p/n 640250-5
- Output Mating Connector: AMP p/n 640250-4
- Mating Connector Contacts: AMP p/n 770522-1

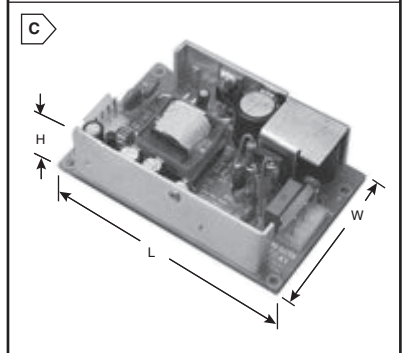
Features:

- Wide Range AC Input, Fully Regulated Output
- Efficiency: 80% @ Full Load
- Meets FCC Class B, CISPR 11 Class B
- IEC 60601-1



For quantities of 50 and up, call for quote.

MOUSER STOCK NO.	Elpac Part No.	Fig.	DC Output Voltage	Output Current	Power	Dimensions: in.			Price Each			
						L	W	H	1	5	10	25
680-MSM2812	MSM2812	C	12V	2.3A	28W	4.00	2.60	1.00	48.60	44.25	40.84	31.88



40 WATT MEDICAL POWER SUPPLIES

Specifications:

- Input Voltage: 90-264 VAC
- Input Mating Connector: AMP p/n 640250-3 or equivalent
- Output Mating Connector: AMP p/n 640250-6 or equivalent
- Mating Connector Contacts: AMP p/n 770476-3* or equivalent

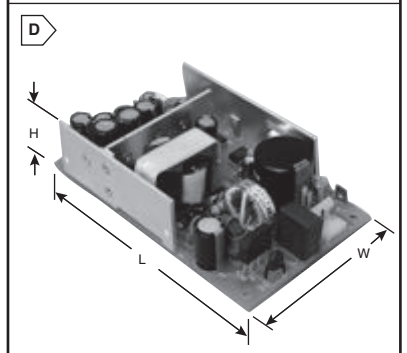
Features:

- Wide Range AC Input, Fully Regulated Output
- Efficiency: 70% @ Full Load
- Meets FCC Class B, CISPR 11 Class B
- IEC 60601-1



For quantities of 25 and up, call for quote.

MOUSER STOCK NO.	Elpac Part No.	Fig.	DC Output Voltage		Output Current	Power	Dimensions: in.			Price Each		
			1	2			L	W	H	1	5	10
680-MSM40A	MSM40A	D	1	5.1V	4A	40W	5.00	3.00	1.38	66.05	62.70	58.70
			2	12.0V	2A							
			3	-12.0V	0.4A							
680-MSM40B	MSM40B	D	1	5.1V	4A	40W	5.00	3.00	1.38	67.90	62.70	58.70
			2	15.0V	2A							
			3	-15.0V	0.4A							
680-MSM40D	MSM40D	D	1	5.1V	4A	40W	5.00	3.00	1.38	67.90	62.70	58.70
			2	24.0V	1A							
			3	-12.0V	0.4A							



40 WATT MEDICAL POWER SUPPLIES

Specifications:

- Input Voltage: 85-264 VAC
- Input Mating Connector: Molex P/N 09-50-1031
- Output Mating Connector: Molex P/N 09-50-1061
- Mating Connector Contacts: Molex P/N 3-770476-1

Features:

- Wide Range AC Input
- High Efficiency
- Meets FCC Class B, CISPR 11 Class B
- EMC per EN60601-1-2
- IEC 60601-1



RoHS Compliant



For quantities of 50 and up, call for quote.

MOUSER STOCK NO.	Elpac Part No.	Fig.	DC Output Voltage	Output Current	Power	Dimensions: in.			Price Each			
						L	W	H	1	5	10	25
680-MS4009F	MS4009F	E	9V	4.4A	40W	5.0	3.0	1.083	35.89	32.90	30.36	28.20
680-MS4012F	MS4012F	E	12V	3.3A	40W	5.0	3.0	1.083	35.89	32.90	30.36	28.20
680-MS4015F	MS4015F	E	15V	2.7A	40W	5.0	3.0	1.083	35.89	32.90	30.36	28.20
680-MS4018F	MS4018F	E	18V	2.2A	40W	5.0	3.0	1.083	35.89	32.90	30.36	28.20
680-MS4024F	MS4024F	E	24V	1.67A	40W	5.0	3.0	1.083	35.89	32.90	30.36	28.20

