

## OMRON WL SERIES: ROBUST GENERAL PURPOSE LIMIT SWITCH

### Specifications:

- Class I protection against electric shock
- Contact ratings: NEMA A600, 10A @ 125 VAC
- Mechanical life: 15 million operations
- Contact configuration: SPDT
- Enclosure ratings: UL - 3, 4, 13; NEMA - 1, 2, 3, 3R, 4, 5, 6, 12, 13; IEC 144-IP67

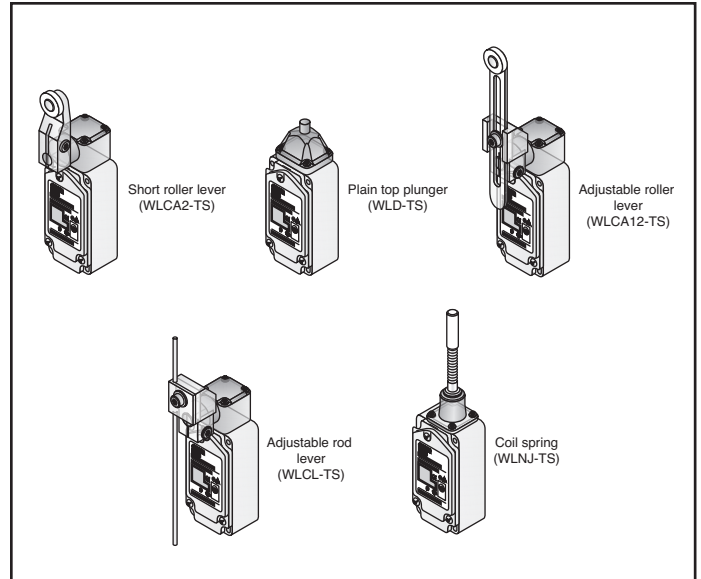


### Features:

- Rugged diecast housing
- Oiltight, waterproof, dustproof construction
- High mechanical strength
- Switches with neon lamp or LED status indicator available

For quantities of 50 and up, call for quote.

MOUSER STOCK NO.		Value	Actuator Type	Price Each		
Mfr.	Mfr. Part No.			1	10	25
	<b>653—WLCA2-TS</b>	1.36 kg	Short roller lever	63.99	60.18	58.18
	<b>653—WLCA12-TS</b>	1.36 kg	Adjustable roller lever	75.88	70.26	65.57
	<b>653—WLCL-TS</b>	142 g	Adjustable rod lever	65.54	63.52	60.85
	<b>653—WLD-TS</b>	2.72 kg	Plain top plunger	64.99	60.18	56.16
	<b>653—WLNJ-TS</b>	150 g	Coil spring, 6.5mm diameter	75.88	70.26	65.57
<b>Levers for WL Series</b>						
	<b>653—WL-1A100</b>		Short roller lever, 38mm radius	12.45	11.48	10.97
	<b>653—WL-2A100</b>		Adjustable roller lever	17.75	16.80	16.00
	<b>653—WL-4A100</b>		Adjustable rod lever, 140mm	18.65	17.82	17.02



## OMRON D4A-N SERIES: DIVERSE GENERAL PURPOSE LIMIT SWITCH

### Specifications:

- Contact ratings: SPDT - NEMA A600, 10A @ 125 VAC; DPDT - NEMA AB600, 5A @ 120 VAC
- Mechanical life: SPDT - 50 million operations; DPDT - 30 million operations
- Conduit entrance: 1/2-14 NPT
- Enclosure ratings: UL - 3, 4, 4X, 6P, 13; NEMA - 1, 2, 3, 4, 4X, 5, 6, 6P, 12, 13; IEC 144-IP67

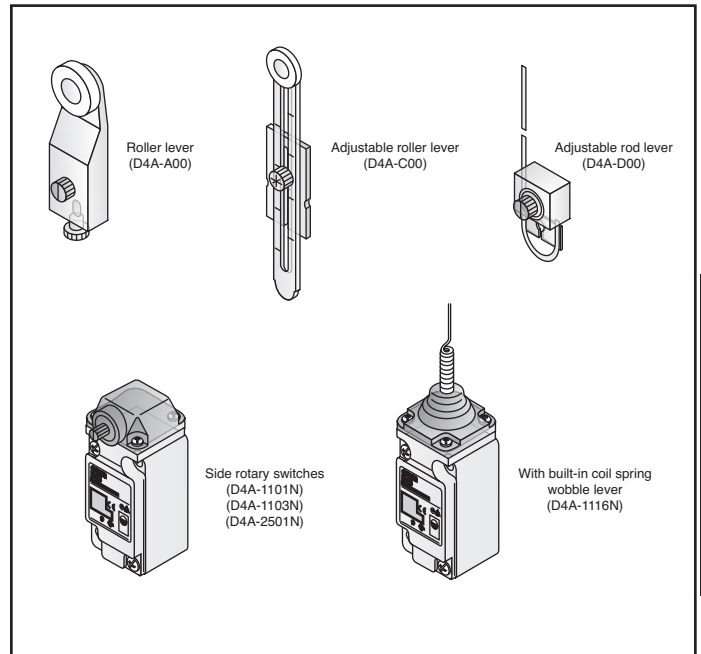


### Features:

- Plug-in construction
- Oiltight, waterproof, dustproof construction
- Side rotary switches accept a wide selection of levers
- Switches with neon lamp or LED status indicator available

For quantities of 50 and up, call for quote.

MOUSER STOCK NO.		Value	Actuator Type	Price Each		
Mfr.	Mfr. Part No.			1	10	25
<b>Side Rotary Switches (Levers sold separately)</b>						
	<b>653—D4A-1101N</b>	4kg-cm	Standard, SPDT double break	72.54	68.20	63.98
	<b>653—D4A-1103N</b>	2kg-cm	Low torque, SPDT double break	83.05	80.57	75.54
	<b>653—D4A-2501N</b>	4kg-cm	Standard, DPDT double break	144.38	137.16	125.00
<b>Switches with Built-in Actuators</b>						
	<b>653—D4A-1116N</b>	150g	Coil spring wobble lever, 6.5mm diameter	87.04	82.26	77.43
<b>Levers for D4A Series</b>						
	<b>653—D4A-A00</b>		Roller lever, front mount, 38.1mm radius	8.15	7.70	7.45
	<b>653—D4A-C00</b>		Adj. roller lever, front mnt., 33-91mm length	20.05	19.35	18.40
	<b>653—D4A-D00</b>		Adjustable rod lever 150mm length	17.97	16.32	15.57



Omron Limit Switches

## OMRON D4B-N SERIES: HEAVY DUTY SAFETY LIMIT SWITCHES

### Specifications:

- Output current: 10A
- Supply voltage: 125 VAC
- Enclosure rating meets IP67 and NEMA 3, 4, 6P, and 13
- Contact configuration: SPDT 1NC/1NO



RoHS Compliant



### Features:

- Direct drive contacts to ensure contact opening of double break contacts even when contact welding occurs
- 4 position turret head

For quantities of 50 and up, call for quote.

MOUSER STOCK NO.		Operating Force	Actuator Type	Price Each		
Mfr.	Mfr. Part No.			1	10	25
<b>Side Rotary Switches</b>						
	<b>653—D4B-3111N</b>	960 g	Roller lever	55.50	53.62	51.95
	<b>653—D4B-3113N</b>	740 g	Adjustable roller lever	78.39	74.98	68.11
	<b>653—D4B-3116N</b>	960 g	Adjustable roller lever	89.64	86.59	83.90
	<b>653—D4B-3117N</b>	216 g	Adjustable rod lever	81.50	78.83	76.48
	<b>653—D4B-3181N</b>	150 g	Wobble stick	80.87	77.36	73.84

