

KOA SPEER High Q Inductors



0402 KQ HIGH Q INDUCTORS

DIMENSIONS: in. (mm)

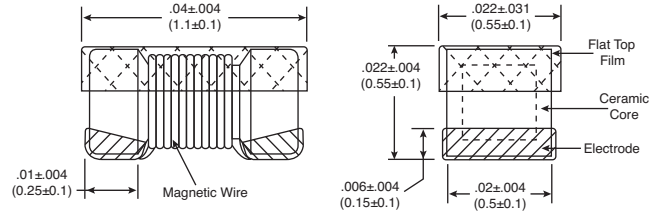
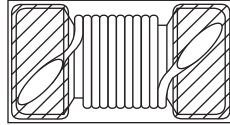
0402 Case Size

Features:

- Surface mount
- Flat top suitable for high speed pick-and-place components
- Excellent high frequency applications
- High Q factors and self-resonant frequency values
- Marking: White body color with no marking



RoHS Compliant



For quantities of 2000 and up, call for quote.

MOUSER STOCK NO.		Nominal Inductance Value (nH)	L Measuring Frequency (MHz)	Tol. ±	Q Quality Factor Min.	SRF Min. (MHz)	Price Each				
Mfr.	Mfr. Part No.						1	10	100	500	1000
660	KQT0402TTD2N0J	2	250	5%	16	6000	.70	.60	.50	.40	.35
660	KQT0402TTD2N2J	2.2	250	5%	19	6000	.70	.60	.50	.40	.35
660	KQT0402TTD3N3J	3.3	250	5%	19	6000	.70	.60	.50	.40	.35
660	KQT0402TTD3N6J	3.6	250	5%	19	6000	.70	.60	.50	.40	.35
660	KQT0402TTD3N9J	3.9	250	5%	19	5800	.70	.60	.50	.40	.35
660	KQT0402TTD5N1J	5.1	250	5%	20	5800	.70	.60	.50	.40	.35
660	KQT0402TTD5N6J	5.6	250	5%	20	5800	.70	.60	.50	.40	.35
660	KQT0402TTD6N2J	6.2	250	5%	20	5800	.70	.60	.50	.40	.35
660	KQT0402TTD7N5J	7.5	250	5%	22	5800	.70	.60	.50	.40	.35
660	KQT0402TTD8N2J	8.2	250	5%	22	4400	.70	.60	.50	.40	.35
660	KQT0402TTD9N0J	9	250	5%	22	4160	.70	.60	.50	.40	.35

For quantities of 2000 and up, call for quote.

MOUSER STOCK NO.		Nominal Inductance Value (nH)	L Measuring Frequency (MHz)	Tol. ±	Q Quality Factor Min.	SRF Min. (MHz)	Price Each				
Mfr.	Mfr. Part No.						1	10	100	500	1000
660	KQT0402TTD10NJ	10	250	5%	21	3900	.70	.60	.50	.40	.35
660	KQT0402TTD11NJ	11	250	5%	24	3680	.70	.60	.50	.40	.35
660	KQT0402TTD12NJ	12	250	5%	24	3600	.70	.60	.50	.40	.35
660	KQT0402TTD15NJ	15	250	5%	24	3280	.97	.88	.83	.78	.59
660	KQT0402TTD19NJ	19	250	5%	24	3040	.70	.60	.50	.40	.35
660	KQT0402TTD23NJ	23	250	5%	24	2720	.70	.60	.50	.40	.35
660	KQT0402TTD27NJ	27	250	5%	24	2480	.70	.60	.50	.40	.35
660	KQT0402TTD36NJ	36	250	5%	24	2320	.70	.60	.50	.40	.35
660	KQT0402TTD40NJ	40	250	5%	24	2240	.70	.60	.50	.40	.35
660	KQT0402TTD47NJ	47	250	5%	20	2100	.70	.60	.50	.40	.35
660	KQT0402TTD56NJ	56	250	5%	25	2800	.70	.60	.50	.40	.35

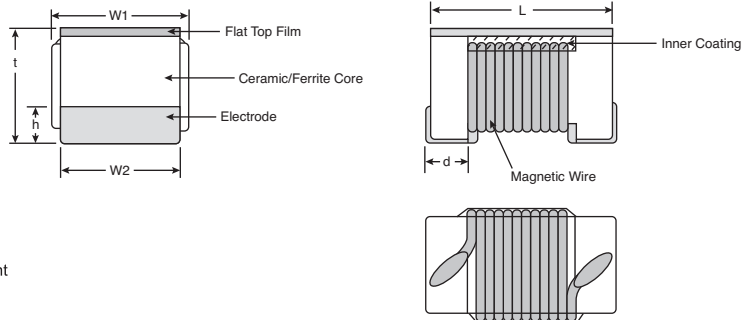
0603 AND 0805 KQ HIGH Q INDUCTORS

Features:

- Surface mount
- Flat top suitable for high speed pick-and-place components
- Excellent high frequency applications
- High Q factors and self-resonant frequency values
- Marking: Black body color with white marking



RoHS Compliant



0603 Case Size

For quantities of 2000 and up, call for quote.

MOUSER STOCK NO.		Nominal Inductance Value (nH)	L Measuring Frequency (MHz)	Tol. ±	Q Quality Factor Minimum	SRF Min. (MHz)	Price Each				
Mfr.	Mfr. Part No.						1	10	100	500	1000
660	KQ0603TTE1N6J	1.6	250	5%	24	12,500	.53	.45	.38	.30	.26
660	KQ0603TTE1N8J	1.8	250	5%	16	12,500	.53	.45	.38	.30	.26
660	KQ0603TTE3N6J	3.6	250	5%	22	6900	.53	.45	.38	.30	.26
660	KQ0603TTE3N9J	3.9	250	5%	22	6900	.53	.45	.38	.30	.26
660	KQ0603TTE4N3J	4.3	250	5%	22	5900	.53	.45	.38	.30	.26
660	KQ0603TTE6N8J	6.8	250	2%	27	5800	.53	.45	.38	.30	.26
660	KQ0603TTE7N5G	7.5	250	2%	28	4800	.53	.45	.38	.30	.26
660	KQ0603TTE8N7G	8.7	250	2%	28	4600	.53	.45	.38	.30	.26
660	KQ0603TTE10NG	10	250	2%	31	4800	.53	.45	.38	.30	.26
660	KQ0603TTE11NG	11	250	2%	33	4000	.53	.45	.38	.30	.26
660	KQ0603TTE12NG	12	250	2%	35	4000	.53	.45	.38	.30	.26
660	KQ0603TTE15NG	15	250	2%	35	4000	.53	.45	.38	.30	.26
660	KQ0603TTE16NG	16	250	2%	34	3300	.53	.45	.38	.30	.26
660	KQ0603TTE18NG	18	250	2%	35	3100	.53	.45	.38	.30	.26
660	KQ0603TTE22NG	22	250	2%	38	3000	.53	.45	.38	.30	.26
660	KQ0603TTE24NG	24	250	2%	37	2650	.53	.45	.38	.30	.26
660	KQ0603TTE27NG	27	250	2%	40	2800	.53	.45	.38	.30	.26
660	KQ0603TTE30NG	30	250	2%	37	2250	.53	.45	.38	.30	.26
660	KQ0603TTE33NG	33	250	2%	40	2300	.53	.45	.38	.30	.26
660	KQ0603TTE36NG	36	250	2%	38	2080	.53	.45	.38	.30	.26
660	KQ0603TTE39NG	39	250	2%	40	2200	.53	.45	.38	.30	.26
660	KQ0603TTE43NG	43	250	2%	39	2000	.53	.45	.38	.30	.26
660	KQ0603TTE56NG	56	200	2%	38	1900	.53	.45	.38	.30	.26
660	KQ0603TTE68NG	68	200	2%	37	1700	.53	.45	.38	.30	.26
660	KQ0603TTE72NG	72	150	2%	34	1700	.53	.45	.38	.30	.26
660	KQ0603TTE82NG	82	150	2%	34	1700	.53	.45	.38	.30	.26
660	KQ0603TTER10G	100	150	2%	34	1400	.53	.45	.38	.30	.26
660	KQ0603TTER11G	110	150	2%	32	1350	.53	.45	.38	.30	.26
660	KQ0603TTER12G	120	150	2%	32	1300	.53	.45	.38	.30	.26
660	KQ0603TTER15G	150	150	2%	32	1400	.53	.45	.38	.30	.26
660	KQ0603TTER18G	180	100	2%	25	1300	.53	.45	.38	.30	.26
660	KQ0603TTER22G	220	100	2%	25	1200	.53	.45	.38	.30	.26
660	KQ0603TTER27G	270	100	2%	24	900	.53	.45	.38	.30	.26
660	KQ0603TTER33G	330	100	2%	30	800	.53	.45	.38	.30	.26
660	KQ0603TTER39G	390	100	2%	30	700	.53	.45	.38	.30	.26

© Copyright 2009 Mouser Electronics

2298

www.mouser.com/koa



a tti company

Mouser Catalog Download

(800) 346-6873

© Copyright 2009 Mouser Electronics

Size Code	DIMENSIONS: in. (mm)					
	L	W1	W2	t	h	d
0603	.063±.004 (1.6±0.1)	.039±.004 (1.0±0.1)	.033±.004 (0.85±0.1)	.035±.004 (0.9±0.1)	.01±.006 (0.25±0.15)	.014±.004 (0.35±0.1)
0805	.079±.008 (2.0±0.2)	.059±.008 (1.5±0.2)	.053±.004 (1.35±0.1)	.051±.008 (1.3±0.2)	.016±.006 (0.40±0.15)	.018±.004 (1.45±0.1)

0805 Case Size

For quantities of 2000 and up, call for quote.

MOUSER STOCK NO.		Nominal Inductance Value (nH)	L Measuring Frequency (MHz)	Tol. ±	Q Quality Factor Minimum	SRF Min. (MHz)	Price Each				
Mfr.	Mfr. Part No.						1	10	100	500	1000
660	KQ0805TTE3N3J	3.3	250	5%	50	6000	.53	.45	.38	.30	.26
660	KQ0805TTE6N8J	6.8	250	5%	50	5500	.53	.45	.38	.30	.26
660	KQ0805TTE8N2J	8.2	250	5%	50	4700	.53	.45	.38	.30	.26
660	KQ0805TTE12NJ	12	250	5%	50	4000	.53	.45	.38	.30	.26
660	KQ0805TTE15NJ	15	250	5%	50	3400	.53	.45	.38	.30	.26
660	KQ0805TTE18NJ	18	250	5%	50	3300	.53	.45	.38	.30	.26
660	KQ0805TTE22NJ	22	250	5%	55	2600	.53	.45	.38	.30	.26
660	KQ0805TTE27NJ	27	250	5%	55	2500	.53	.45	.38	.30	.26
660	KQ0805TTE33NJ	33	250	5%	60	2050	.53	.45	.38	.30	.26
660	KQ0805TTE39NJ	39	250	5%	60	2000	.53	.45	.38	.30	.26
660	KQ0805TTE47NJ	47	200	5%	60	1650	.53	.45	.38	.30	.26
660	KQ0805TTE56NG	56	200	2%	60	1550	.53	.45	.38	.30	.26
660	KQ0805TTE68NG	68	200	2%	60	1450	.53	.45	.38	.30	.26
660	KQ0805TTE82NG	82	150	2%	65	1300	.53	.45	.38	.30	.26
660	KQ0805TTER10G	100	150	2%	65	1200	.53	.45	.38	.30	.26
660	KQ0805TTER12G	120	150	2%	50	1100	.53	.45	.38	.30	.26
660	KQ0805TTER15G	150	100	2%	50	920	.53	.45	.38	.30	.26
660	KQ0805TTER18G	180	100	2%	50	870	.53	.45	.38	.30	.26
660	KQ0805TTER22G	220	100	2%	50	850	.53	.45	.38	.30	.26
660	KQ0805TTER27G	270	100	2%	48	650	.53	.45	.38	.30	.26
660	KQ0805TTER33G	330	100	2%	48	600	.53	.45	.38	.30	.26
660	KQ0805TTER39G	390	100	2%	48	560	.53	.45	.38	.30	.26
660	KQ0805TTER47G	470	50	2%	33	375	.53	.45	.38	.30	.26
660	KQ0805TTER56G	560	25	2%	23	340	.53	.45	.38	.30	.26
660	KQ0805TTER68G	680	25	2%	23	188	.53	.45	.38	.30	.26
660	KQ0805TTER82G	820	25	2%	23	215	.53	.45	.38	.30	.26

© Copyright 2009 Mouser Electronics