

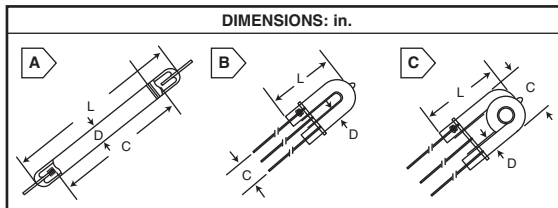
Lamps, Flash Tubes and Transformers

Products may be RoHS compliant.
Check mouser.com for RoHS status.

XICON FLASH TUBES

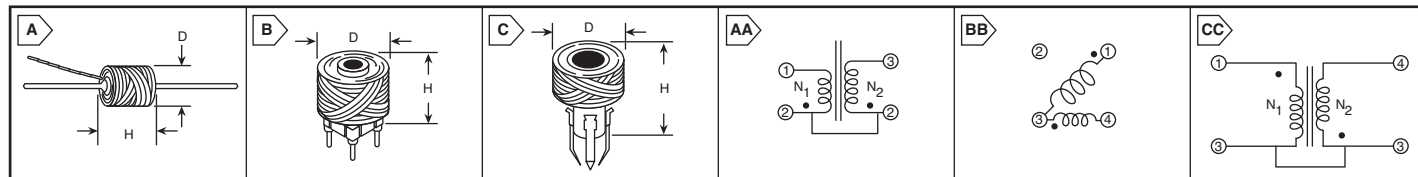
For quantities of 500 or more, call for quote.

MOUSER STOCK NO.	Fig.	Type	Dimensions (in.)			Nominal Anode Voltage	Min. Trigger Voltage	Flash Energy (WS)	Life Flashes	Price Each		
			L	D	C					1	10	100
36FT050	A	FT-4050	1.97	.16	1.38	360	4KV	60	5,000	3.50	2.90	2.65
36FT106	B	FT6531	1.50	.24	.53	300	6KV	60	10,000	3.80	3.19	2.90
361-4425	B	U-4425	1.26	.24	.39	300	4KV	4	1,000,000	5.85	5.32	4.84
361-8538	B	U-8538	1.77	.31	.67	400	6KV	100	10,000	6.92	6.29	5.72
361-0218	C	FT-218	2.16	.31	1.30	450	6KV	30	300,000	15.17	13.79	12.54



XICON H/V TRIGGER TRANSFORMERS

DIMENSIONS: in.



See capacitor section of this catalog for related products For quantities of 1000 or more, call for quote.

MOUSER STOCK NO.	Fig.	Schematic	Volts		Dimensions (in.)		Price Each			
			Input	Output	H	D	1	10	100	500
422-1304	A	AA	300	4000	.60	.35	2.19	1.86	1.68	1.53
422-2304	B	BB	300	4000	.60	.50	2.79	2.45	2.23	2.02

See capacitor section of this catalog for related products For quantities of 1000 or more, call for quote.

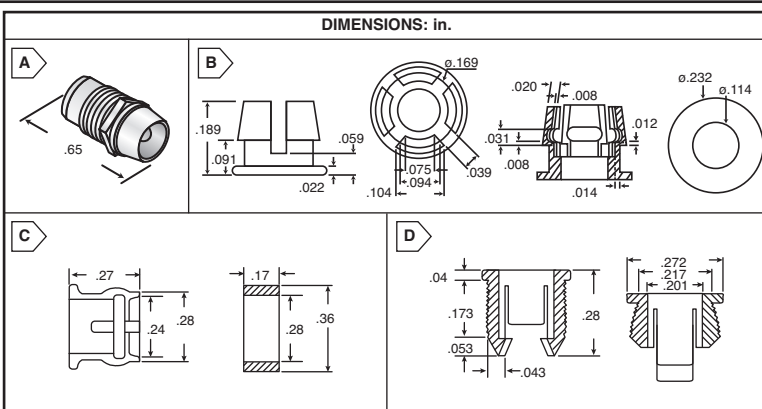
MOUSER STOCK NO.	Fig.	Schematic	Volts		Dimensions (in.)		Price Each			
			Input	Output	H	D	1	10	100	500
422-3306	C	AA	300	6000	.75	.60	2.79	2.45	2.23	2.02
422-2310	B	CC	300	10000	.75	.85	2.74	2.51	2.27	2.08

XICON LED INDICATORS

Chassis Mount T-1 3/4 LED Bezel

For quantities of 1000 and up, call for quote.

MOUSER STOCK NO.	Fig.	Bezel Color	Mtg. Hole (in.)	Description	Price Each			
					1	10	100	500
351-1000	A	Black	5/16	For mounting	1.58	1.26	1.11	.99
351-1001	A	Chrome	5/16	T-1 3/4 size LEDs	2.28	1.82	1.59	1.43



LED Panel Mounting Clips

For quantities of 2000 and up, call for quote.

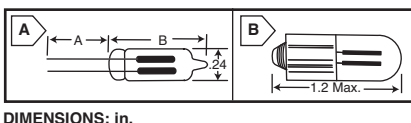
MOUSER STOCK NO.	Fig.	Color	Size	Description	Price Each			
					1	100	500	1000
351-0001-RC	B	Black	T-1	One piece	.15	.10	.09	.07
351-0002-RC	C	Black	T-1 3/4	Two piece	.15	.10	.09	.07
351-0004-RC	D	black	T-1 3/4	One piece	.13	.07	.06	.045



RoHS Compliant

XICON NEON LAMPS

- Neon lamps are used for indicators and circuit control applications
- Ideal for line-voltage AC and 90V and up DC applications



DIMENSIONS: in.

High Brightness

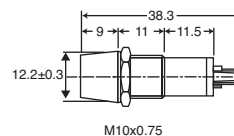
For quantities of 500 and up, call for quote.

MOUSER STOCK NO.	Fig.	Type	Breakdown Voltage (max.) AC/DC	Nominal Current (mA)	Nominal Watts (W)	Dimensions: in.		Price Each		
						A	B	1	10	100
High Brightness										
36NE004	A	A1C	95/135	1.2	1/7	1.18	.47	.28	.22	.18
36NE005	A	NE-2H	95/135	1.2	1/7	1.18	.63	.29	.25	.20
Standard										
36NE006	A	A1B	65/90	.3	1/25	1.18	.47	.23	.18	.15
36NE007	A	NE-2E	65/90	.3	1/25	1.18	.63	.24	.20	.16
36NE002	A	NE-2	65/90	.5	1/25	1.18	.68	.23	.18	.15
36NE003	A	NE2B	65/90	.5	1/25	1.18	.47	.23	.18	.15
36NE051	B	NE-51	45/85	.3	1/25	---	---	4.06	3.66	3.36

SHIN CHIN SQUARE 110 VAC NEON INDICATOR

DIMENSIONS: mm

- Sealed plastic neon indicator with internal dropping resistor
- Chrome-plated facing nut
- Phenolic Base
- Nickel Plated Brass Terminal



RoHS Compliant

MOUSER STOCK NO.	Mfr.	Mfr. Part Number	Lens Color	Mounting Hole (mm)	Price Each			
					1	10	100	500
362	R9	40N4-05-R	Red	10.2	1.55	1.40	1.24	1.18
362	R9	40N4-05-G	Green	10.2	1.55	1.40	1.24	1.18
362	R9	40N4-05-Y	Yellow	10.2	1.55	1.40	1.24	1.18

XICON LAMP SOCKETS

For quantities of 500 or more, call for quote.

MOUSER STOCK NO.	Fig.	Type	Price Each		
			1	10	100
35LH002	A	T-3 1/4 screw-mini, non-insulated	.66	.51	.46
35LH003	B	T-3 1/4 bayonet-mini, insulated	2.36	1.86	1.74
35LH004	C	T-3 1/4 bayonet-mini, non-insulated	2.36	1.86	1.74
35LH005	D	T-3 1/4 bayonet-mini, insulated	2.36	1.86	1.74
35LH006	E	T-3 1/4 bayonet-mini, insulated	2.49	1.96	1.83
35LH007	F	T-3 1/4 bayonet-mini, insulated	2.07	1.63	1.52
35LH008	G	T-3 1/4 bayonet-mini, insulated	2.07	1.63	1.52
35LH010	H	T-3 1/4 screw-mini, insulated	.55	.43	.40
35LH011	I	T-3 1/4 bayonet-mini, insulated	2.07	1.63	1.52
352-0100	J	T-1 3/4 midget screw, insulated	1.90	1.60	1.45
352-0103	K	Clear plastic lens for part no. 352-0100	.55	.43	.37

