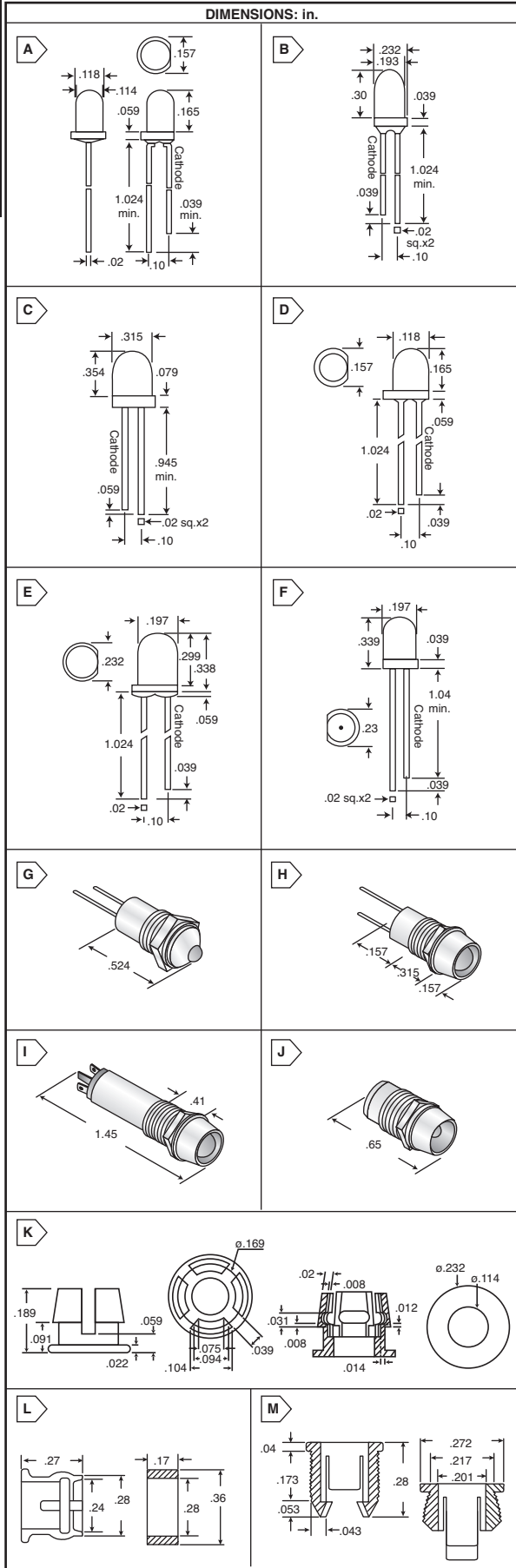


LED Lamps and Indicators

Products may be RoHS compliant. Check mouser.com for RoHS status.



XICON STANDARD LED LAMPS

• Reverse voltage: 5V max. **** Not RoHS Compliant** RoHS Compliant **For quantities of 500 and up, call for quote.**

MOUSER STOCK NO.	Fig.	Color		Forward Voltage @ I _F = 20mA		Luminous Intensity @ 20mA(mcd)		Peak Wave-Length (nm)	Viewing Angle	Price Each		
		LED	Lens	Min.	Max.	Min.	Typ.			1	10	100
T-1 Miniature Size (3mm)												
351-3102-RC	A	Red	Red Diff.	1.7	2.6	3.0	4.5	697	36°	.11	.088	.077
351-3103-RC	A	Green	Green Diff.	1.7	2.6	12.0	30.0	565	36°	.11	.088	.077
T-1 3/4 Standard Size (5mm)												
351-5022-RC	B	Red	Red Diff.	1.7	2.6	3.0	4.5	697	28°	.11	.088	.077
351-5023-RC	B	Green	Green Diff.	1.7	2.6	20.0	30.0	565	28°	.12	.092	.081
Jumbo Size (8mm)												
351-7542	** C	Red	Red Diff.	2.1	3.0	13.9	23.1	635	40°	.66	.44	.40
351-7540	** C	Green	Green Diff.	2.1	3.0	12.0	20.0	567	40°	.69	.47	.43
351-7541	** C	Yellow	Yellow Diff.	2.1	3.0	9.8	16.4	585	40°	.74	.49	.45

XICON SUPER-BRIGHT LED LAMPS

• Operating temperature: 20°C to 80°C • Reverse current: 10µA RoHS Compliant **For quantities of 500 and up, call for quote.**
 • Storage temperature: 30°C to 100°C • Reverse voltage: 5V max.

MOUSER STOCK NO.	Fig.	Color		Forward Voltage @ I _F = 20mA		Luminous Intensity @ 20mA(mcd)		Peak Wave-Length (nm)	Viewing Angle	Price Each		
		LED	Lens	Typ.	Max.	Min.	Typ.			1	10	100
351-3232-RC	D	Red	Diffused	1.5	2.4	90	160	660	36°	.26	.21	.18
351-3242-RC	D	Green	Diffused	1.7	2.6	50	90	565	36°	.25	.20	.17
351-3252-RC	D	Yellow	Diffused	1.7	2.6	120	220	590	36°	.26	.21	.18
351-3231-RC	D	Red	Transparent	1.5	2.4	160	300	660	30°	.26	.21	.18
351-3241-RC	D	Green	Transparent	1.7	2.6	120	220	565	30°	.26	.21	.18
351-3251-RC	D	Yellow	Transparent	1.7	2.6	300	450	590	30°	.26	.21	.18
351-3230-RC	D	Red	Water Clear	1.5	2.4	160	300	660	30°	.25	.20	.17
351-3240-RC	D	Green	Water Clear	1.7	2.6	120	220	565	30°	.25	.20	.17
351-3250-RC	D	Yellow	Water Clear	1.7	2.6	300	450	590	30°	.26	.21	.18
351-3240-RC	D	Green	Water Clear	3.5	4.0	1100	3400	470	30°	1.18	.94	.82
351-3312-RC	D	White	Water Clear	3.5	4.0	1800	3000	470	30°	2.05	1.64	1.44
351-3314-RC	D	Violet	Water Clear	3.0	4.0	65	110	400	30°	2.05	1.64	1.44
351-3316-RC	D	Green	Water Clear	3.5	4.0	1500	2700	518	30°	2.05	1.64	1.44

T-1 3/4 Standard Size (5mm)

• Reverse current: 10µA • Reverse voltage: 5V max. RoHS Compliant **For quantities of 500 and up, call for quote.**

MOUSER STOCK NO.	Fig.	Color		Forward Voltage @ I _F = 20mA		Luminous Intensity @ 20mA(mcd)		Peak Wave-Length (nm)	Viewing Angle	Price Each		
		LED	Lens	Typ.	Max.	Min.	Typ.			1	10	100
351-5111-RC	E	Red	Diffused	1.5	2.4	160	300	660	36°	.25	.20	.18
351-5502-RC	E	Green	Diffused	1.7	2.6	50	90	565	36°	.26	.21	.18
351-5302-RC	E	Yellow	Diffused	1.7	2.6	220	350	590	36°	.26	.21	.18
351-5110-RC	E	Red	Transparent	1.5	2.4	450	700	660	20°	.25	.20	.18
351-5501-RC	E	Green	Transparent	1.7	2.6	300	450	565	20°	.26	.21	.18
351-5301-RC	E	Yellow	Transparent	1.7	2.6	900	1800	590	20°	.26	.21	.18
351-5100-RC	E	Red	Water Clear	1.5	2.4	550	900	660	20°	.26	.21	.18
351-5200-RC	E	Red	Water Clear	1.5	2.4	1100	2200	660	20°	.60	.48	.42
351-5500-RC	E	Green	Water Clear	1.7	2.6	350	550	565	20°	.26	.21	.18
351-5300-RC	E	Yellow	Water Clear	1.7	2.6	900	2200	590	20°	.26	.21	.18

XICON BLINKING LEDs

• Ta = 25°C Test Condition @ 5V (Typical Characteristics) RoHS Compliant **For quantities of 500 and up, call for quote.**

MOUSER STOCK NO.	Fig.	Color	Lens	Forward Voltage (V)	Viewing Angle	Price Each
351-8001-RC	F	Red	Red Diff.	3.0	12	1.7

LED INDICATORS

Standard T-1 (3mm) LED Indicator Assembly RoHS Compliant **For quantities of 1000 and up, call for quote.**

MOUSER STOCK NO.	Mfr.	Mfr. Part Number	Fig.	Color	Lens	Mounting Hole (in.)	Forward Voltage (V)	Price Each			
								1	10	100	500
358—R9-103L-12-RD	G	Red	Red Diffused	0.244	2.0	1.55	1.38	1.31	1.21		
358—R9-103L-12-GD	G	Green	Green Diffused	0.244	2.1	1.55	1.38	1.31	1.21		
358—R9-103L-12-YD	G	Yellow	Yellow Diffused	0.244	2.1	1.55	1.38	1.31	1.21		
358—R9-103L-12-UD	G	Blue	Blue Diffused	0.244	3.4	2.72	2.42	2.30	2.12		
358—R9-103L-12-WD	G	White	White Diffused	0.244	3.6	2.61	2.32	2.20	2.03		

Standard T-1 3/4 (5mm) LED Indicator

Assembly with Chrome Bezel RoHS Compliant **For quantities of 1000 and up, call for quote.**

* Dropping resistor included

MOUSER STOCK NO.	Fig.	Bezel Color	Mounting Hole (in.)	Description	Price Each
358—R9-104L-12-R	H	Red	Water Clear	0.323	1.9
358—R9-104L-12-G	H	Green	Water Clear	0.323	1.9
358—R9-104L-12-Y	H	Yellow	Water Clear	0.323	2.0
358—R9-104L-12-U	H	Blue	Water Clear	0.323	3.2
358—R9-104L-12-W	H	White	Water Clear	0.323	3.2
358—R9-104L-12-RD	H	Red	Red Diffused	0.323	2.0
358—R9-104L-12-GD	H	Green	Green Diffused	0.323	2.1
358—R9-104L-12-YD	H	Yellow	Yellow Diffused	0.323	2.0
358—R9-104L-12-UD	H	Blue	Blue Diffused	0.323	3.1
358—R9-104L-12-WD	H	White	Blue Diffused	0.323	3.3
* 358—R9-63L-RED-6V	I	Red	Red Diffused	0.323	6.0
* 358—R9-63L-RED-12V	I	Red	Red Diffused	0.323	12.0

Chassis Mount T-1 3/4 LED Bezel

RoHS Compliant **For quantities of 1000 and up, call for quote.**

MOUSER STOCK NO.	Fig.	Bezel Color	Mounting Hole (in.)	Description	Price Each			
					1	10	100	500
351-1000	J	Black	5/16	For mounting T-1 3/4 size LEDs	1.58	1.26	1.11	.99
351-1001	J	Chrome	5/16	For mounting T-1 3/4 size LEDs	2.28	1.82	1.59	1.43

LED Panel Mounting Clips

RoHS Compliant **For quantities of 2000 and up, call for quote.**

MOUSER STOCK NO.	Fig.	Color	Size	Description	Price Each			
					1	100	500	1000
351-0001-RC	K	Black	T-1	One piece	.15	.10	.09	.07
351-0002-RC	L	Black	T-1 3/4	Two piece	.15	.10	.09	.07
351-0004-RC	M	Black	T-1 3/4	One piece	.13	.07	.06	.045