

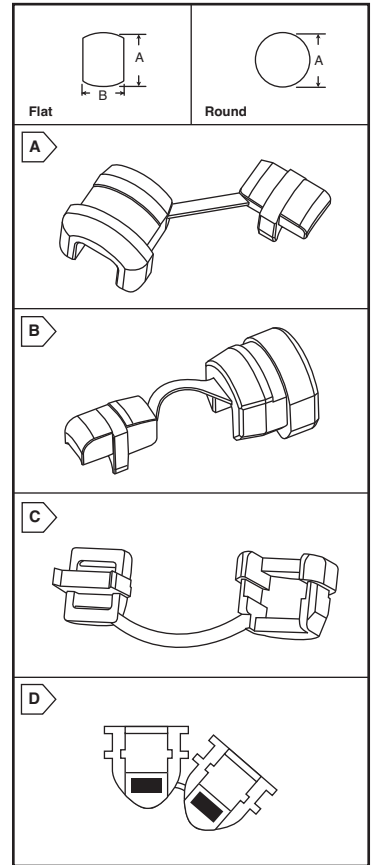
NYLON STRAIN RELIEF BUSHINGS

One piece strain relief bushings securely anchor, absorb, and protect cables and wires from push/pull and twist forces and insulate them from irregular or sharp panel edges.

Black Nylon

For quantities of 1000 and up, call for quote.

| MOUSER STOCK NO. | Fig. | Cable Cross Section | Cable Type | Dimensions: In. | | | | Price Each | |
|------------------|------|---------------------|-------------------|-----------------|------|----------------------|----------------|------------|-----|
| | | | | Mounting Hole | | Max. Panel Thickness | Bushing Length | 1 | 100 |
| | | | | A | B | | | | |
| 561-MP2M4 | A | Round | AWN | .0375 | --- | .062 | .41 | .10 | .08 |
| 561-MP3P4 | A | Flat | SP-1, SPT-2 | .437 | .390 | .062 | .41 | .08 | .05 |
| 561-MP5N4 | A | Round | SV, SVT, HPD | .500 | --- | .062 | .438 | .13 | .09 |
| 561-MP5P4 | A | Round | SV, SVT, HPD | .500 | --- | .100 | .438 | .11 | .07 |
| 561-MP4K1 | A | Flat | SPT-2, HPN | .500 | .460 | .095 | .495 | .12 | .07 |
| 561-MP4K1Z | B | Flat | SPT-2, HPN | .500 | .460 | .095 | .495 | .12 | .07 |
| 561-MP4L1 | B | Flat | SPT-1, SPT-2, HPN | .500 | .460 | .187 | .495 | .10 | .07 |
| 561-MP4J4 | A | Flat | SPT-1, SPT-2, HPN | .500 | .465 | .032 | .406 | .10 | .07 |
| 561-MP4N4 | A | Flat | SPT-1, SPT-2, HPN | .500 | .465 | .062 | .406 | .14 | .09 |
| 561-MP6W1 | A | Round | SJ, SJT, SJO | .500 | --- | .090 | .437 | .14 | .08 |
| 561-MP4K4 | A | Flat | SPT-1, SPT-2, HPN | .500 | .465 | .100 | .406 | .12 | .07 |
| 561-MP4L4 | A | Flat | SPT-1, SPT-2, HPN | .500 | .465 | .156 | .406 | .10 | .05 |
| 561-MP30-1 | B | Flat | SPT-2, SPT-1 | .560 | .730 | .125 | .67 | .22 | .12 |
| 561-MP5KN4 | A | Flat | SPT-2 | .562 | .530 | .062 | .609 | .23 | .13 |
| 561-MP5K4 | A | Flat | SPT-2 | .562 | .530 | .125 | .609 | .19 | .11 |
| 561-MP5W1 | A | Flat | SPT-2, HPN | .562 | .530 | .125 | .609 | .23 | .13 |
| 561-MP6N45 | A | Flat | SPT-1 | .625 | .545 | .062 | .600 | .28 | .16 |
| 561-MP6N34 | A | Round | SJ, SJT | .625 | --- | .062 | .58 | .22 | .12 |
| 561-MP6N4 | A | Round | SJT, SJO | .625 | --- | .062 | .58 | .23 | .13 |
| 561-MP6P34 | A | Round | SJ, SJT, SJO | .625 | --- | .125 | .58 | .19 | .09 |
| 561-MP6P4 | A | Round | SJ, SJT, SJO | .625 | --- | .125 | .58 | .22 | .11 |
| 561-MP6L1 | B | Round | SJ, SJT, SJO | .625 | --- | .125 | .666 | .27 | .15 |
| 561-MP6P35 | A | Round | SJ, SJT, SJO | .625 | --- | .125 | .580 | .26 | .15 |
| 561-MP7W20 | B | Round | SJT, S, STO | .875 | --- | .125 | .75 | .35 | .17 |
| 561-MP7K2 | B | Round | SJ, SJT, SJO | .875 | --- | .125 | .750 | .14 | .11 |
| 561-MP7K3 | B | Round | SJ, SJT, SJO | .875 | --- | .125 | .750 | .14 | .11 |
| 561-MP31-2 | C | Flat, Round | SJT, SPT-3 | .875 | .840 | .125 | .812 | .22 | .19 |
| 561-MP33-10 | B | Flat | SPT-3, HPN | .750x.875 | .875 | .125 | .770 | .22 | .19 |
| 561-MP9P2 | A | Round | S | 1.093-1.187 | --- | .281 | .990 | .24 | .20 |
| 561-MP4KEZS | D | Flat | SPT | .500 | .470 | .100 | .580 | .19 | .12 |

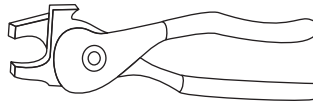


Eagle Plastic Devices

STRAIN RELIEF INSTALLATION TOOLS

- Makes bushing installation a 'breeze'
- Adjustable to all sizes

| MOUSER STOCK NO. | Description | Price Each |
|------------------|-------------------|------------|
| 561-M0022 | Standard handles | 51.84 |
| 561-M0023 | Ergonomic handles | 52.34 |



Standard

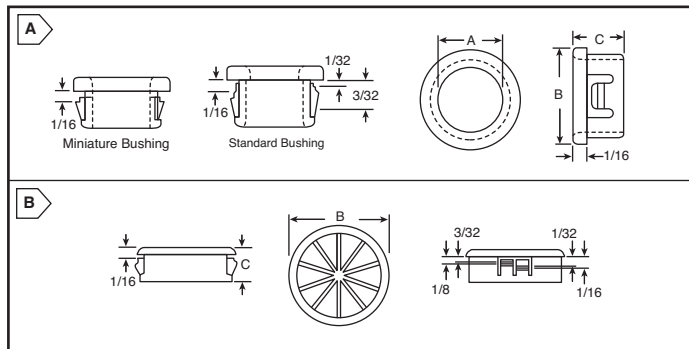


Ergonomic

Hardware

NYLON BUSHINGS

- UL 94V2
- Stock color black, other colors available on request, please ask for details



Miniature Insulating Bushings

Accommodates panels up to 1/8" and requires only 1/8" clearance.

For quantities of 5000 and up, call for quote.

| MOUSER STOCK NO. | Fig. | Dimensions: In. | | | | Price Each | | | |
|------------------|------|-----------------|------|------|-----------|---------------|-----|-----|------|
| | | A | B | C | Panel | | 1 | 100 | 1000 |
| | | | | | Hole Dia. | Thick. (max.) | | | |
| 561-MP1010 | A | .125 | .250 | .234 | .187 | .062 | .13 | .06 | .04 |
| 561-MP1015 | A | .250 | .375 | .234 | .312 | .062 | .13 | .08 | .06 |
| 561-MP1030 | A | .375 | .562 | .250 | .500 | .062 | .13 | .07 | .04 |
| 561-MP1050 | A | .500 | .703 | .250 | .625 | .062 | .17 | .09 | .07 |
| 561-MP1060 | A | .625 | .828 | .250 | .750 | .062 | .17 | .11 | .09 |
| 561-MP1080 | A | .750 | .937 | .250 | .875 | .062 | .18 | .09 | .06 |

Standard Insulating Bushings

Designed with multiple locks to positively snap in panels ranging from 1/32" to 1/8".

For quantities of 5000 and up, call for quote.

| MOUSER STOCK NO. | Fig. | Dimensions: In. | | | | Price Each | | | |
|------------------|------|-----------------|-------|------|-----------|---------------|-----|-----|------|
| | | A | B | C | Panel | | 1 | 100 | 1000 |
| | | | | | Hole Dia. | Thick. (max.) | | | |
| 561-MP2502 | A | .125 | .312 | .312 | .250 | .062 | .12 | .06 | .04 |
| 561-MP3753 | A | .187 | .468 | .406 | .375 | .125 | .12 | .06 | .04 |
| 561-MP3754 | A | .250 | .468 | .406 | .375 | .125 | .13 | .07 | .04 |
| 561-MP4374 | A | .250 | .531 | .406 | .437 | .125 | .13 | .07 | .05 |
| 561-MP4375 | A | .312 | .531 | .406 | .437 | .125 | .13 | .06 | .04 |
| 561-MP5004 | A | .250 | .578 | .406 | .500 | .125 | .14 | .11 | .09 |
| 561-MP5005 | A | .312 | .578 | .406 | .500 | .125 | .14 | .07 | .04 |
| 561-MP5006 | A | .375 | .578 | .406 | .500 | .125 | .15 | .08 | .05 |
| 561-MP6254 | A | .250 | .718 | .406 | .625 | .125 | .15 | .11 | .09 |
| 561-MP6257 | A | .437 | .718 | .406 | .625 | .125 | .15 | .11 | .09 |
| 561-MP6258 | A | .500 | .718 | .406 | .625 | .125 | .15 | .09 | .06 |
| 561-MP7508 | A | .500 | .843 | .406 | .750 | .125 | .21 | .10 | .07 |
| 561-MP7510 | A | .625 | .843 | .406 | .750 | .125 | .21 | .10 | .07 |
| 561-MP8706 | A | .375 | .953 | .453 | .875 | .125 | .23 | .11 | .07 |
| 561-MP8710 | A | .625 | .953 | .453 | .875 | .125 | .23 | .11 | .07 |
| 561-MP10012 | A | .750 | 1.125 | .453 | 1.000 | .125 | .27 | .13 | .09 |
| 561-MP15018 | A | 1.125 | 1.609 | .453 | 1.500 | .125 | .42 | .19 | .13 |
| 561-MP20026 | A | 1.625 | 2.125 | .453 | 2.000 | .125 | .56 | .32 | .21 |

All-Fit Adjustable Bushings

Equipped with multiple locks to positively snap in panel thicknesses ranging from 1/32" to 1/8".

For quantities of 5000 and up, call for quote.

| MOUSER STOCK NO. | Fig. | Dimensions: In. | | | Price Each | | | | |
|------------------|------|-----------------|-------|------|------------|---------------|-----|-----|------|
| | | A | B | C | Panel | | 1 | 100 | 1000 |
| | | | | | Hole Dia. | Thick. (max.) | | | |
| 561-AF625 | B | .437 | .718 | .406 | .625 | .125 | .17 | .09 | .07 |
| 561-AF750 | B | .500 | .859 | .390 | .750 | .125 | .25 | .14 | .10 |
| 561-AF875 | B | .562 | .937 | .453 | .875 | .125 | .23 | .11 | .07 |
| 561-AF1000 | B | .750 | 1.062 | .453 | 1.000 | .125 | .26 | .13 | .09 |