

RoHS Compliant This product is RoHS compliant.

## METAL FINGER GUARDS

For quantities 100 and up, call for quote.

MOUSER STOCK NO.		Fig.	For Use With	Price Each			
Mfr.	Mfr. Part No.			1	10	25	50
5912	LZ22N	A	Series 8000	3.17	2.99	2.56	2.48
5912	LZ23	B	Series 3000	3.90	3.51	3.21	2.91
5912	LZ25	C	Series 5100	5.61	5.17	4.90	4.37
5912	LZ28	D	Series 600	3.10	2.79	2.55	2.32
5912	LZ30	E	Series 4000	5.31	4.87	4.62	4.12
5912	LZ29-1	F	Series 400	3.72	3.41	3.23	3.02

## PLASTIC FINGER GUARDS

For quantities 100 and up, call for quote.

MOUSER STOCK NO.		Fig.	For Use With	Price Each			
Mfr.	Mfr. Part No.			1	10	25	50
5912	LZ30P	G	Series 9000	3.90	3.51	3.21	2.91
5912	LZ32P	H	Series 8000	2.96	2.73	2.59	2.31
5912	LZ30-5	I	Series 9000	5.77	5.19	4.56	4.25

## FAN CORDS

Connecting cable with molded plug in PVC (black). For all types of fans with flat pins .12 x .02 in (3.0 x .05 mm).

For quantities 100 and up, call for quote.

MOUSER STOCK NO.		Fig.	Cable Length in.	Pins in. (mm)	Price Each			
Mfr.	Mfr. Part No.				1	10	25	50
5912	LZ120	J	24.0	0.02 (.5)	4.80	4.40	4.11	3.90
5912	LZ126	J	39.4	0.02 (.5)	6.12	5.65	5.36	4.78

## FAN MOUNTING HARDWARE

For quantities 1000 and up, call for quote.

MOUSER STOCK NO.		Fig.	Description	Fits Series	Price Each			
Mfr.	Mfr. Part No.				1	100	250	500
5912	LZ210	K	6-32/M3.5 Self Tapping Clip Nut	4000/7000	1.10	.98	.96	.91
5912	LZ260	L	Fiberglass Spacer	3400/8400	.60	.54	.49	.45
5912	LZ261	L	Fiberglass Spacer	3300/4300/8300	.60	.54	.49	.45

## FAN FILTERS

Used with 4000 and 9000 series fans.

For quantities 100 and up, call for quote.

MOUSER STOCK NO.		Fig.	Description	Price Each			
Mfr.	Mfr. Part No.			1	10	25	50
5912	LZ40N	M	Screen Kit, Fiberglass Reinforced Plastic	9.74	8.97	8.51	7.59
5912	LZ40-1	M	Mounting Bracket	3.27	3.02	2.87	2.56
5912	LZ60	M	Filter, Aluminum Wire Mesh	7.94	7.30	6.94	6.19

## TEMPERATURE SENSOR

### Features:

- For speed controlled fan operation
- Temperature range: 30°C to 50°C

### Required Performance Data:

- $R_{25} = 100K\Omega \pm 5\%$
- $P_{max} = 0.25 W$
- B-Value = 4190  $\pm 2\%$

For quantities 100 and up, call for quote.

MOUSER STOCK NO.		Fig.	Description	Price Each			
Mfr.	Mfr. Part No.			1	10	25	50
5912	LZ370	N	Temperature Sensor	2.87	2.63	2.50	2.23

## 4300V SERIES

These brushless DC fans automatically adjust their speed, depending on measured temperature. The internal circuitry adjusts the fan speed, using and externally connected temperature sensor (LZ370). This means at lower temperatures, the fan runs at a quieter, lower speed.

### Features:

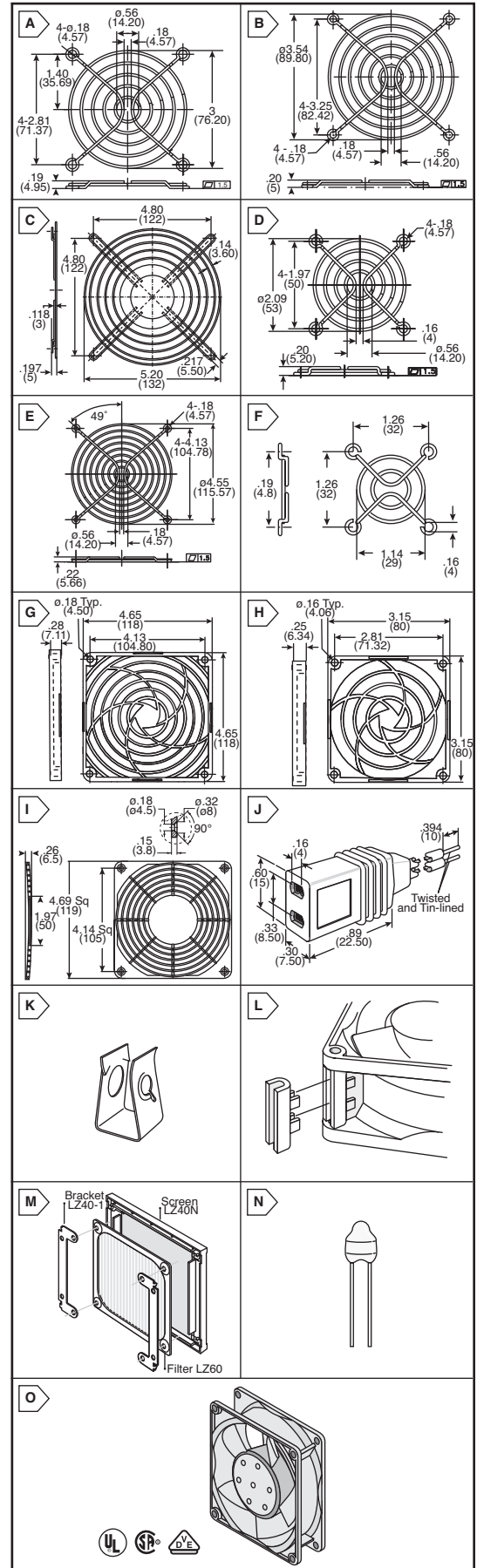
- Plastic housing and impeller
- Air output over struts
- Max Ambient Temperature: 65°C
- Bearing Type: Ball

### Recommended Manufacturer's Accessories:

- Plastic Finger Guard: LZ30-5, LZ30P
- Metal Finger Guard: LZ30
- Temperature Sensor: LZ370
- Spacer: LZ260

For quantities 100 and up, call for quote.

MOUSER STOCK NO.		Fig.	Dimensions (mm) L x W	Volt. (DC)	Airflow (CFM)				Noise dB(A)		Power (W)		Price Each			
Mfr.	Mfr. Part No.				25°C	50°C	25°C	50°C	25°C	50°C	1	10	25	50		
5912	4312V	O	119 x 32	12	50	100.1	29	45	2.4	5.5	54.58	51.92	49.32	46.08		
5912	4314/17V	O	119 x 32	24	50	100.1	29	45	3.0	5.4	58.45	53.57	48.71	43.83		
Description																
5912—LZ370												Temperature Sensor				
												2.87	2.63	2.50	2.23	



ebm-papst

Fans