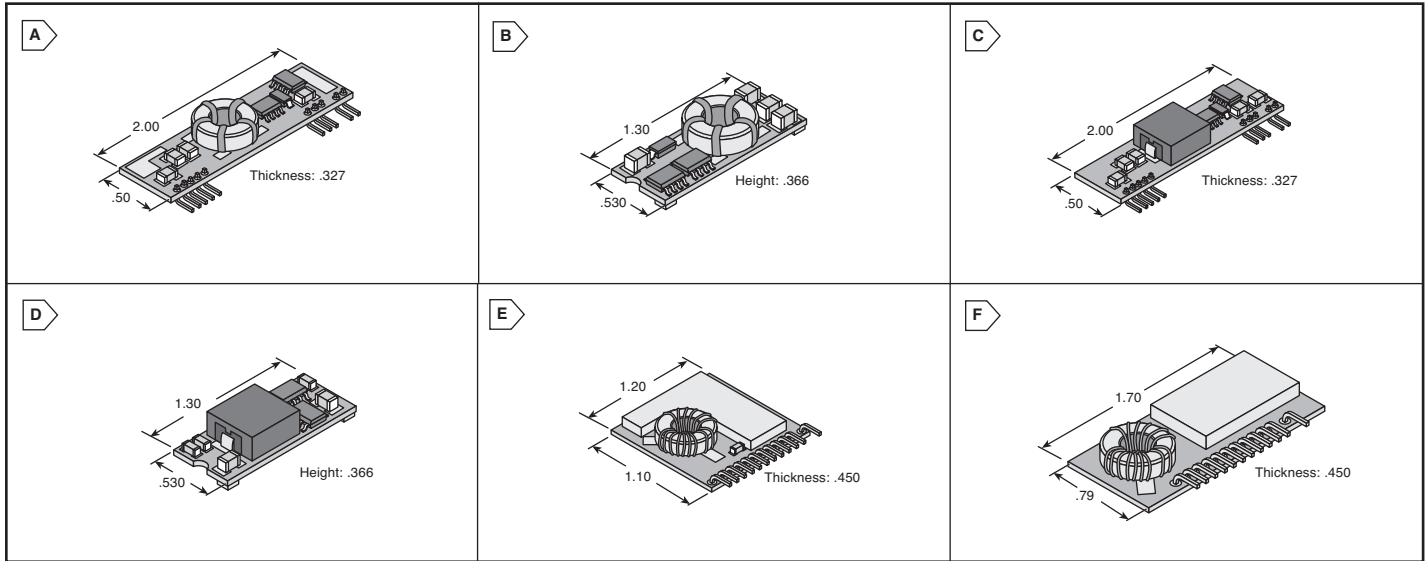


MURATA POWER SOLUTIONS DC-DC Converters



DIMENSIONS: in.

RoHS Compliant This product is RoHS compliant.



VOLANT NON-ISOLATED POINT-OF-LOAD SERIES



- High reliability
- Pre-Bias monotonic start
- Positive or negative enable logic available
- Over temperature and over current protection
- Output voltage programmable by an external resistor
- CSA C22.2, No. 60950/UL 60950 Approvals

NCA Series • Input: 5V (3-5.5V) For quantities of 25 and up, call for quote.

MOUSER STOCK NO.	MPS Part No.	Fig	Output Power	Output Voltage	Io (mA)	Price Each		
						1	5	10
Surface Mount								
580-NCA0151331B0C	NCA0151331B0C	A	50W	0.75-3.3V	15A	21.15	20.67	19.54
580-NCA0151331S0C	NCA0151331S0C	B	50W	0.75-3.3V	15A	21.15	20.67	19.54

NCF Series • Input: 5V (3-5.5V) For quantities of 25 and up, call for quote.

MOUSER STOCK NO.	MPS Part No.	Fig	Output Power	Output Voltage	Io (mA)	Price Each		
						1	5	10
Negative Logic SIP								
580-NCF0100100B0C	NCF0100100B0C	A	10W	1V	10A	19.61	19.21	18.50
580-NCF0100120B0C	NCF0100120B0C	A	12W	1.2V	10A	19.61	19.21	18.50
580-NCF0100180B0C	NCF0100180B0C	A	18W	1.8V	10A	19.61	19.21	18.50
580-NCF0100200B0C	NCF0100200B0C	A	20W	2V	10A	19.61	19.21	18.50
580-NCF0100250B0C	NCF0100250B0C	A	25W	2.5V	10A	19.61	19.21	18.50
580-NCF0100330B0C	NCF0100330B0C	A	33W	3.3V	10A	19.61	19.21	18.50

NEA Series • Input: 12V (8.3-14V) For quantities of 25 and up, call for quote.

MOUSER STOCK NO.	MPS Part No.	Fig	Output Power	Output Voltage	Io (mA)	Price Each		
						1	5	10
Positive Logic SIP								
580-NEA0101501B0C	NEA0101501B0C	C	50W	0.75-5V	10A	19.61	19.21	18.50
580-NEA0161501B0C	NEA0161501B0C	C	80W	0.75-5V	16A	21.15	20.67	19.54
Positive Logic Surface Mount								
580-NEA0101501S0C	NEA0101501S0C	D	50W	0.75-5V	10A	19.61	19.21	18.50
580-NEA0161501S0C	NEA0161501S0C	D	80W	0.75-5V	16A	21.15	20.67	19.54

NEF Series • Input 12V (8-14V) For quantities of 25 and up, call for quote.

MOUSER STOCK NO.	MPS Part No.	Fig	Output Power	Output Voltage	Io (mA)	Price Each		
						1	5	10
Positive Logic SIP								
580-NEF0100101B0C	NEF0100101B0C	C	10W	1V	10A	19.61	19.21	18.50
580-NEF0100121B0C	NEF0100121B0C	C	12W	1.2V	10A	19.61	19.21	18.50
580-NEF0100151B0C	NEF0100151B0C	C	15W	1.5V	10A	19.61	19.21	18.50
580-NEF0100181B0C	NEF0100181B0C	C	18W	1.8V	10A	19.61	19.21	18.50
580-NEF0100201B0C	NEF0100201B0C	C	20W	2V	10A	19.61	19.21	18.50
580-NEF0100251B0C	NEF0100251B0C	C	25W	2.5V	10A	19.61	19.21	18.50
580-NEF0100331B0C	NEF0100331B0C	C	33W	3.3V	10A	19.61	19.21	18.50
580-NEF0100501B0C	NEF0100501B0C	C	50W	5V	10A	19.61	19.21	18.50

NFA Series • Input 12V (6-14V) For quantities of 25 and up, call for quote.

MOUSER STOCK NO.	MPS Part No.	Fig	Output Power	Output Voltage	Io (mA)	Price Each		
						1	5	10
Positive Logic SIP								
580-NFA0101501B0C	NFA0101501B0C	C	50W	0.75-5V	10A	19.61	19.21	18.50
580-NFA0161501B0C	NFA0161501B0C	C	80W	0.75-5V	16A	21.15	20.67	19.54
Positive Logic Surface Mount								
580-NFA0101501S0C	NFA0101501S0C	D	50W	0.75-5V	10A	19.61	19.21	18.50
580-NFA0161501S0C	NFA0161501S0C	D	80W	0.75-5V	16A	21.15	20.67	19.54

MOUSER STOCK NO.	MPS Part No.	Fig	Output Power	Output Voltage	Io (mA)	Price Each		
						1	5	10
Positive Logic Surface Mount								
580-NEF0100101S0C	NEF0100101S0C	D	10W	1V	10A	19.61	19.21	18.50
580-NEF0100121S0C	NEF0100121S0C	D	12W	1.2V	10A	19.61	19.21	18.50
580-NEF0100151S0C	NEF0100151S0C	D	15W	1.5V	10A	19.61	19.21	18.50
580-NEF0100181S0C	NEF0100181S0C	D	18W	1.8V	10A	19.61	19.21	18.50
580-NEF0100201S0C	NEF0100201S0C	D	20W	2V	10A	19.61	19.21	18.50
580-NEF0100251S0C	NEF0100251S0C	D	25W	2.5V	10A	19.61	19.21	18.50
580-NEF0100331S0C	NEF0100331S0C	D	33W	3.3V	10A	19.61	19.21	18.50
580-NEF0100501S0C	NEF0100501S0C	D	50W	5V	10A	19.61	19.21	18.50

POSTAGE STAMP CONVERTERS NON-ISOLATED POINT-OF-LOAD

- Not fuse protected
- Load regulation $\pm 0.5\%$
- Back Bias protection
- Vertical top side pins
- Short circuit protection
- Output voltage programmable by an external resistor
- Horizontal mount available
- contact a Mouser Service Representative

*Fuse Protected

MOUSER STOCK NO.	MPS Part No.	Fig	Output Power	Input Voltage		Output Voltage	Output Current	Efficiency	Price Each			
				Nom.	Range				1	5	10	25
580-S0161220120-FBC	S016-1220120-FBC	E	45W	12V	10.8-12.6V	1.2-5.0V	16A	90%	16.25	15.86	15.25	14.99
*580-S016-1220120-FBFC	S016-1220120-FBFC	E	45W	12V	10.8-12.6V	1.2-5.0V	16A	90%	19.22	18.91	18.61	18.20
580-S0201220120-FBC	S0201220120-FBC	F	55W	12V	10.8-12.6V	1.2-5.0V	20A	93%	20.03	19.42	19.10	18.90

© Copyright 2009 Mouser Electronics

© Copyright 2009 Mouser Electronics