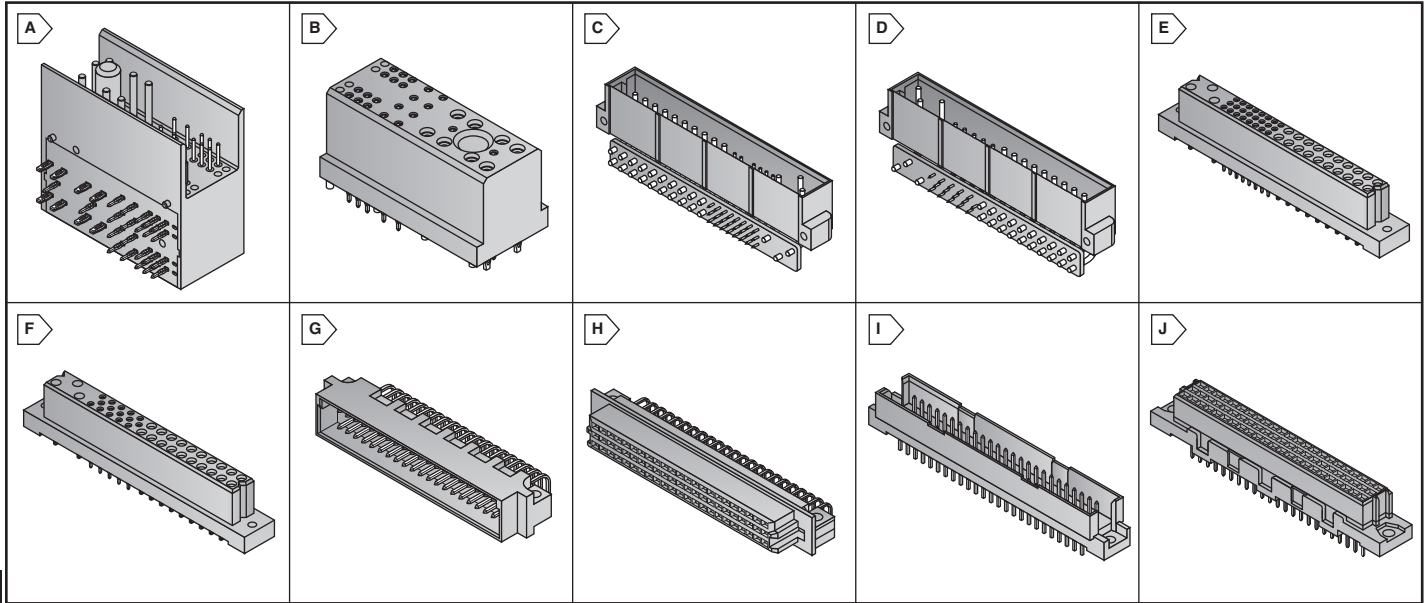


# CONEC ATCA, PCI, and DIN Connectors



RoHS Compliant This product is RoHS compliant.



## ATCA®

ATCA stands for: Advanced Telecommunications Computing Architecture. This newly developed architecture and system layout allows manufacturers of telecom equipment a new standard for designing system. The basic structure is utilizing a modular concept. Application of this new structured approach allows various module designs that are compatible in layout and mechanical installation. The PICMG Group created the PICMG 3.0 Standard. This standard specifies the mechanical details with regards to input/output, voltage, current and connection parameters. Control, backplane layout and system architecture are part of the standard. Products such as plugs and sockets, high power and signal contact have been developed. This new connector series is available with press fit and through hole contact types.

### Features:

- Rugged construction
- Polarizing system
- Selective loading of contact positions
- Screwdown hardware
- Special variations on request
- RoHS compliant per Conec documentation

### Specifications:

- Complies with the PICMG 3.0 standard
- UL approval Ecc8329
- Solder and press-fit technology
- Press-fit with flat plate
- Mating area compatible



RoHS Compliant

For quantities of 500 and up, call for quote.

MOUSER STOCK NO.	CONEC Part No.	Fig.	Number of Positions	Type	Description	Price Each		
						1	10	100
<a href="#">706-ATC30W08MAE1S5X</a>	ATC30W08MAE1S5X	A	30	Male	Press-fit	20.67	18.96	18.06
<a href="#">706-ATC30W08MARCS5X</a>	ATC30W08MARCS5X	A	30	Male	Solder Pin	15.74	13.69	12.64
<a href="#">706-ATC30W08FGE1S5X</a>	ATC30W08FGE1S5X	B	30	Female	Press-fit	19.13	16.54	15.76
<a href="#">706-ATC30W08FGRC55X</a>	ATC30W08FGRC55X	B	30	Female	Solder Pin	20.25	18.01	17.13

## COMPACT PCI

The CompactPCI bus has been defined by the PICMG Group in specification 2.0. The abbreviation PCI stands for Peripheral Component Interconnect. Besides the standardized 47-pin connector according to PICMG 2.11 R1.0, variations have been developed for computer, industrial, medicinal and measurement technology. CONEC offers different models within this product family relating to contact layout and connection technology, for both the male and female connectors.

### Features:

- Premating contacts in selective positions
- Polarizing coding system
- Mounting screws for PCB are available
- Selective loading for mixed layout contact configurations
- High reliability and longevity
- RoHS compliant per Conec documentation



RoHS Compliant

For quantities of 500 and up, call for quote.

MOUSER STOCK NO.	CONEC Part No.	Fig.	Number of Positions	Type	Description	Price Each		
						1	10	100
<a href="#">706-CPH47W23MARASK9X</a>	CPH47W23MARASK9X	C	47	Male	Solder Pin	12.44	11.67	11.58
<a href="#">706-CPH38W23MARARK9X</a>	CPH38W23MARARK9X	D	38	Male	Solder Pin, Inverted	10.97	9.63	9.17

## Straight

For quantities of 500 and up, call for quote.

MOUSER STOCK NO.	CONEC Part No.	Fig.	Number of Positions	Type	Description	Price Each		
						1	10	100
<a href="#">706-CPH47W23FGE3SK9X</a>	CPH47W23FGE3SK9X	E	47	Female	Press-fit	21.78	20.96	19.96
<a href="#">706-CPH38W23FGE3SK9X</a>	CPH38W23FGE3SK9X	F	38	Female	Press-fit	19.71	17.92	17.11

## DIN 41612

### Features:

- Contacts: Copper Alloy
- Contact Plating: Gold over Nickel
- 50 Mating cycles
- Housing: PBTP UL94V-0
- Current: 2 Amp
- Operating Temperature: -55°C to 125°C
- RoHS compliant per Conec documentation



RoHS Compliant

## Right Angle

For quantities of 500 and up, call for quote.

MOUSER STOCK NO.	CONEC Part No.	Fig.	Number of Positions	Type	Description	Price Each		
						1	10	100
<a href="#">706-121A10139X</a>	121A10139X	G	64	Male	Type C	3.81	3.42	2.21
<a href="#">706-121A10149X</a>	121A10149X	G	96	Male	Type C	4.25	3.83	2.34
<a href="#">706-122A10849X</a>	122A10849X	H	64	Female	Type R	6.82	4.89	4.11
<a href="#">706-122A10859X</a>	122A10859X	H	96	Female	Type R	8.44	7.17	4.47

## Straight

For quantities of 500 and up, call for quote.

MOUSER STOCK NO.	CONEC Part No.	Fig.	Number of Positions	Type	Description	Price Each		
						1	10	100
<a href="#">706-121A10559X</a>	121A10559X	I	64	Male	Type R, Solder Pin	4.91	4.42	2.62
<a href="#">706-121A10569X</a>	121A10569X	I	96	Male	Type R, Solder Pin	6.98	5.93	3.94
<a href="#">706-122A10299X</a>	122A10299X	J	64	Female	Type C, Solder Pin	5.85	4.97	3.13
<a href="#">706-122A10309X</a>	122A10309X	J	96	Female	Type C, Solder Pin	5.98	4.19	3.31

