

# Aluminum Electrolytic Capacitors

CORNEILL DUBILIER ALUMINUM ELECTROLYTIC, 105°, HIGH VOLTAGE, LOW IMPEDANCE

## AEB Series

### Features:

- High voltage applications include input bus capacitors in board mounted miniature AC/DC power supplies
- Ideal for power supply input and other high voltage applications due to low impedance ratings up to 450 VDC
- Vertical case style make automatic mounting and reflow soldering easy
- Long life
- Low Impedance

Cross Reference			
CDE	NIC	Tecate	Panasonic
AEB	NACVF	MXLH	EEV-EB
AFK	NACK	MXZZ	EEV-FK
AVS	NACE	MXM	ECE-V



RoHS Compliant

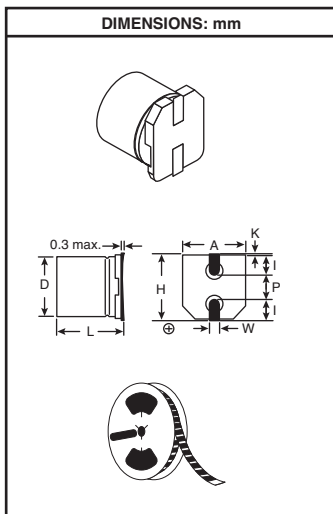
Case Code	Quantity Per Reel	D±0.5	L±0.5	A±0.5	H (max.)	l (ref.)	W	P (ref.)	K
J	250	10	13.5	10.3	12	3.5	0.9±0.2	4.6	0.7±0.2
K	200	10	17.5	10.3	12	3.5	0.9±0.2	4.6	0.7±0.2
L	150	12.5	16.5	13.5	15	4.7	0.9±0.3	4.4	0.7±0.3
P	125	16	16.5	17	19	6.7	1.2±0.3	6.7	0.7±0.3
R	125	18	16.5	19	21	6.7	1.2±0.3	6.7	0.7±0.3
S	75	18	21.5	19	21	6.7	1.2±0.3	6.7	0.7±0.3
U	75	16	21.5	17	19	6.7	1.2±0.3	6.7	0.7±0.3

For quantities of 125 and up, call for quote.

### Specifications:

- Capacitance tolerance: ±20%
- Temperature range: -20°C to +105°C
- Capacitance range: 2.2µF to 100µF
- Voltage range: 160VDC to 450VDC
- Load life: 3000 hours @ +105°C J Case  
4000 hours @ +105°C K Case  
5000 hours @ +105°C L-S Cases

MOUSER STOCK NO.	CDE Part Number	Value (µF)	Case Code	Imp. (Ω) (max) 20°C/100kHz	Ripple (mA rms) 105°C/100kHz	Price Each			Tape and Reel	
						1	10	25	Qty.	Price Ea.
<b>160 Volt</b>										
5985-AEB160V10-F	AEB106M2CJ32T-F	10	J	3.00	70	1.47	1.23	1.14	250	.525
5985-AEB160V33-F	AEB336M2CL32T-F	33	L	1.80	470	2.43	2.03	1.89	150	.872
5985-AEB160V47-F	AEB476M2CP44T-F	47	P	1.40	600	2.96	2.47	2.30	125	1.98
5985-AEB160V68A-F	AEB686M2CR44T-F	68	R	0.80	750	3.37	2.78	2.58	125	2.38
5985-AEB160V68-F	AEB686M2CU44T-F	68	U	0.55	750	3.37	2.78	2.58	75	2.38
5985-AEB160V100-F	AEB107MC2S44T-F	100	S	0.50	1060	4.02	3.33	3.09	75	2.84
<b>200 Volt</b>										
5985-AEB200V22-F	AEB226M2DL32T-F	22	L	1.80	470	2.43	2.03	1.89	150	.872
5985-AEB200V33-F	AEB336M2DP44T-F	33	P	1.40	600	2.96	2.47	2.30	125	1.98
5985-AEB200V47-F	AEB476M2DR44T-F	47	R	0.80	600	3.37	2.78	2.58	125	2.38
5985-AEB200V68-F	AEB686M2DU44T-F	68	U	0.55	750	3.37	2.78	2.58	75	2.38
5985-AEB200V100-F	AEB107M2DS44T-F	100	S	0.50	1060	4.02	3.33	3.09	75	2.84
<b>250 Volt</b>										
5985-AEB250V10-F	AEB106M2EK32T-F	10	K	2.50	88	1.69	1.41	1.31	200	.588
5985-AEB250V22-F	AEB226M2EP44T-F	22	P	1.60	560	2.96	2.47	2.30	125	1.98
5985-AEB250V33-F	AEB336M2ER44T-F	33	R	0.85	560	3.37	2.78	2.58	125	2.38
5985-AEB250V47-F	AEB476M2EU44T-F	47	U	0.70	710	3.37	2.78	2.58	75	2.38
5985-AEB250V68-F	AEB686M2ES44T-F	68	S	0.60	990	4.02	3.33	3.09	75	2.84
<b>350 Volt</b>										
5985-AEB350V10-F	AEB106M2VP44T-F	10	P	3.20	270	2.96	2.47	2.30	125	1.98
5985-AEB350V22-F	AEB226M2VR44T-F	22	R	1.60	350	3.37	2.78	2.58	125	2.38
5985-AEB350V33-F	AEB336M2VU44T-F	33	U	1.20	480	3.37	2.78	2.58	75	2.38
5985-AEB350V47-F	AEB476M2VS44T-F	47	S	1.00	670	4.02	3.33	3.09	75	2.84
<b>400 Volt</b>										
5985-AEB400V3.3-F	AEB335M2GJ32T-F	3.3	J	8.00	40	1.47	1.23	1.14	250	.525
5985-AEB400V4.7-F	AEB475M2GK32T-F	4.7	K	5.50	50	1.69	1.41	1.31	200	.588
5985-AEB400V10-F	AEB106M2GP44T-F	10	P	3.60	250	2.96	2.47	2.30	125	1.98
5985-AEB400V22-F	AEB226M2GU44T-F	22	U	2.20	410	3.37	2.78	2.58	75	2.38
5985-AEB400V33-F	AEB336M2GS44T-F	33	S	1.20	600	4.02	3.33	3.09	75	2.84
<b>450 Volt</b>										
5985-AEB450V2.2-F	AEB225M2WJ32T-F	2.2	J	11.00	29	1.47	1.23	1.14	250	.525
5985-AEB450V3.3-F	AEB335M2WK32T-F	3.3	K	7.00	41	1.82	1.50	1.42	200	.63
5985-AEB450V4.7-F	AEB475M2WK32T-F	4.7	L	4.80	49	2.43	2.03	1.89	150	.872
5985-AEB450V10-F	AEB106M2WR44T-F	10	R	3.00	310	3.37	2.78	2.58	125	2.38
5985-AEB450V22-F	AEB226M2WS44T-F	22	S	1.80	560	4.02	3.33	3.09	75	2.84



## ELNA 105°C ALUMINUM ELECTROLYTICS

### RVS Series

- Operating temperature range: -55°C to +105°C
- Leakage current: < 0.01 CV (µA)
- Capacitance tolerance: ±20%
- Overall Height of 5.3mm (±0.2mm)
- Endurance: 1000 hours @ 105°C

Dia. (D)	DIMENSIONS: mm			
	A	B	C	P
4	4.3	4.3	2.0	1.0
5	5.3	6.3	2.3	1.5
6.3	6.6	6.6	2.7	2.0



RoHS Compliant

For quantities of 2000 and up, call for quote.

MOUSER STOCK NO.	Elna Part No.	Value (µF)	Dia. (D) mm	Price Each			
				1	100	500	1000
<b>6.3 Volts</b>							
555-RVS-6V470MU-R	RVS-6V470MU-R	47	5	.29	.20	.14	.11
555-RVS-6V101MU-R	RVS-6V101MU-R	100	6.3	.32	.22	.15	.13
<b>10 Volts</b>							
555-RVS-10V100MU-R	RVS-10V100MU-R	10	4	.24	.16	.11	.09
555-RVS-10V330MU-R	RVS-10V330MU-R	33	5	.29	.20	.14	.11
<b>16 Volts</b>							
555-RVS-16V220MU-R	RVS-16V220MU-R	22	5	.29	.20	.14	.11
555-RVS-16V470MU-R	RVS-16V470MU-R	47	6.3	.32	.22	.15	.13
<b>25 Volts</b>							
555-RVS-25V330MU-R	RVS-25V330MU-R	33	6.3	.32	.22	.15	.13
<b>35 Volts</b>							
555-RVS-35V4R7MU-R	RVS-35V4R7MU-R	4.7	4	.27	.18	.13	.10
555-RVS-35V100MU-R	RVS-35V100MU-R	10	5	.30	.22	.16	.12
555-RVS-35V220MU-R	RVS-35V220MU-R	22	6.3	.32	.22	.15	.13
<b>50 Volts</b>							
555-RVS-50VR22MU-R	RVS-50VR22MU-R	0.22	4.0	.24	.16	.11	.09
555-RVS-50VR47MU-R	RVS-50VR47MU-R	0.47	4.0	.24	.16	.11	.09
555-RVS-50V010MU-R	RVS-50V010MU-R	1.0	4.0	.24	.16	.11	.09
555-RVS-50V2R2MU-R	RVS-50V2R2MU-R	2.2	4.0	.24	.16	.11	.09
555-RVS-50V3R3MU-R	RVS-50V3R3MU-R	3.3	4.0	.24	.16	.11	.09
555-RVS-50V100MU-R	RVS-50V100MU-R	10	6.3	.32	.22	.15	.13

### DIMENSIONS: mm

