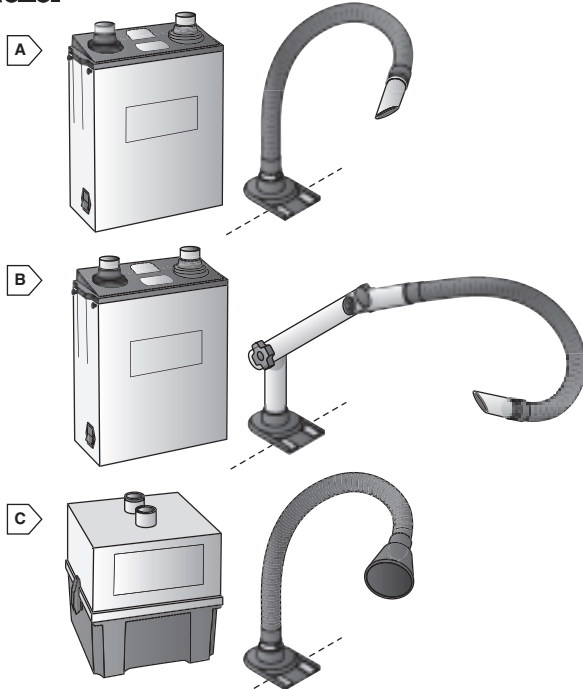


WELLER® Fume Extractors and Soldering Guns



Weller® FUME EXTRACTION SYSTEMS AND ACCESSORIES



Fume Extraction Systems

MOUSER STOCK NO.	Fig.	Description	Price Each
578—WFE2XKIT1	A	Volume Fume Extractor System, 1 WP	1490.00
578—WFE2XKIT1S	B	Volume Fume Extractor System, Slope 1 WP	1690.00
578—WFE2ESKIT1	C	Economy Extract System, Built-In Turbine	899.00

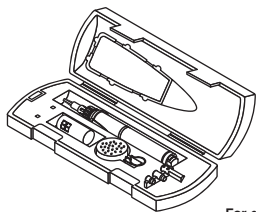
Accessories

MOUSER STOCK NO.	Description	Price Each
578—T0053657299	WF60 Slope Nozzle kit, for WFE2S, WFE2ES	179.00
578—T0053657199	WF60 Funnel Nozzle kit, for WFE2S, WFE2ES	179.00
578—T0053657999	WF60 Slope ST EX Kit, for WFE2S, WFE2ES	349.00
578—T0053638099	WFDD 50 Extraction Plate	173.25
578—T0053659099	Active Carbon Filter for WFE2X	349.00
578—T0058762701	Compact H12 HEPA Filter for WFE2ES	78.75

Weller® PORTASOL® CORDLESS SOLDERING TOOL KIT

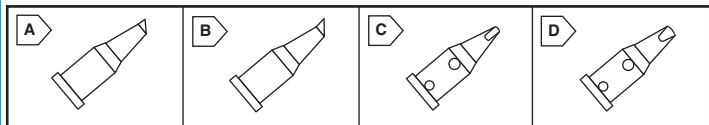
Features:

- Melt solder in under a minute
- Temperatures up to 850°F
- Up to 1 hour continuous use
- Standard butane refills



For quantities of 5 and up, call for quote.

MOUSER STOCK NO.	Kit Includes:	Price Each
578—P2KC	P2C Portasol soldering tool, 5 tips, sponge, tray, case, and holder.	60.95 53.56

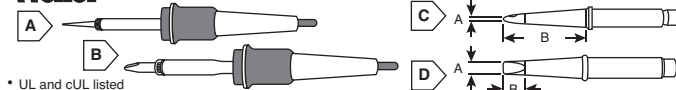


Portasol® Tips For P2C Iron

For quantities of 25 and up, call for quote.

MOUSER STOCK NO.	Fig.	Description	Price Each
578—PPT1	A	1/32" Single Flat Tip	8.32 8.15 7.98
578—PPT2	B	3/32" Single Flat Tip	8.32 8.15 7.98
578—PPT5	C	1/32" Double Flat Tip	8.64 8.21 7.80
578—PPT6	D	3/32" Double Flat Tip	8.32 8.15 7.98

Weller® W60P AND W100PG SOLDERING IRONS & TIPS



* UL and cUL listed

W60P and W100PG Soldering Irons

For quantities of 10 and up, call for quote.

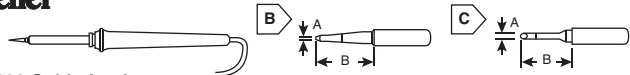
MOUSER STOCK NO.	Fig.	Description	Price Each
578—W60P	A	60W, 120V, 700°F with CT5A7 tip	73.82 70.52
578—W100PG	B	100W, 120V, 700°F with CT6F7 tip	73.58 69.26

CT Series Tips For W60P and W100PG Irons

For quantities of 50 and up, call for quote.

MOUSER STOCK NO.	Fig.	Size (A) (mm)	Reach (B) (mm)	Price Each
Use with Iron W60P				
578—CT5A7	C	1.58	29.36	7.68 7.34 6.55
578—CT5C7	C	3.17	29.36	7.62 7.29 6.50
578—CT5D7	C	4.74	29.36	7.95 7.60 6.78
Use with Iron W100PG				
578—CT6C7	D	3.17	34.92	10.98 10.55 9.40
578—CT6D7	D	4.74	34.92	10.98 10.55 9.40
578—CT6E7	D	6.35	34.92	10.47 10.06 8.96
578—CT6F7	D	9.52	34.92	10.47 10.06 8.96

Weller® WM120 THIN SOLDERING IRON AND TIPS



WM120 Soldering Iron

For quantities of 10 and up, call for quote.

MOUSER STOCK NO.	Fig.	Description	Price Each
578—WM120	A	12W, 120V, 800°F with MP tips	41.79 40.11

MP Series Tips for WM120 Iron

For quantities of 50 and up, call for quote.

MOUSER STOCK NO.	Fig.	Size (A) (mm)	Reach (B) (mm)	Price Each
578—MP131	B	.39	11.09	7.34 6.91 6.49
578—MP133	C	.79	11.09	7.34 6.91 6.49

Weller® ESD SAFE SOLDERING IRONS

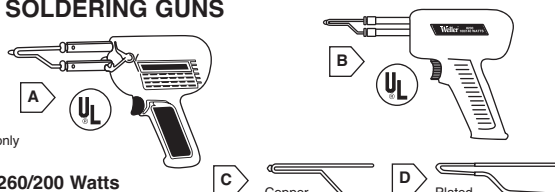
- ESD safe to protect sensitive components
- For use with any Weller EC or Silver Series soldering station, or any WRS rework station.



For quantities of 6 and up, call for quote.

MOUSER STOCK NO.	Description	Price Each
578—EC1201A	General purpose iron, 40W, ETA tip	122.57
578—EC1302B	Micro iron, 20W, EPH101 tip	115.58

Weller® SOLDERING GUNS



- 120V 60Hz AC only
- 2-wire cord

Model D550 260/200 Watts

- High output
- Pistol-grip design
- Twin lights illuminate work
- Heavy gauge, high-efficiency copper tip

For quantities of 24 and up, call for quote.

MOUSER STOCK NO.	Fig.	Description	Price Each
578—D550	A	Trigger selection of heats	52.19 50.44 47.24

Model 8200 140/100 Watts

- High efficiency soldering tip of pure pre-tinned copper
- "Soldering Tips" booklet included
- Pistol-grip design

For quantities of 24 and up, call for quote.

578—8200	B	Finger tip selection; high/low output	38.41 37.11 35.10
----------	---	---------------------------------------	-------------------

Replacement Tips

• Tip material: tin plated copper For quantities of 24 and up, call for quote.

MOUSER STOCK NO.	Fig.	For Model #	Package Contains	Price Each
578—7135	C	8200/9200K	2 tips	4.47 4.30 4.08
578—7250	C	D550	2 tips	4.47 4.30 4.08
578—8125	D	8200	2 tips	4.47 4.30 4.08

Replacement Housing Sets

For quantities of 24 and up, call for quote.

MOUSER STOCK NO.	Description	Price Each
578—8200RH	For 578-8200 soldering gun	12.70 12.26 11.60

