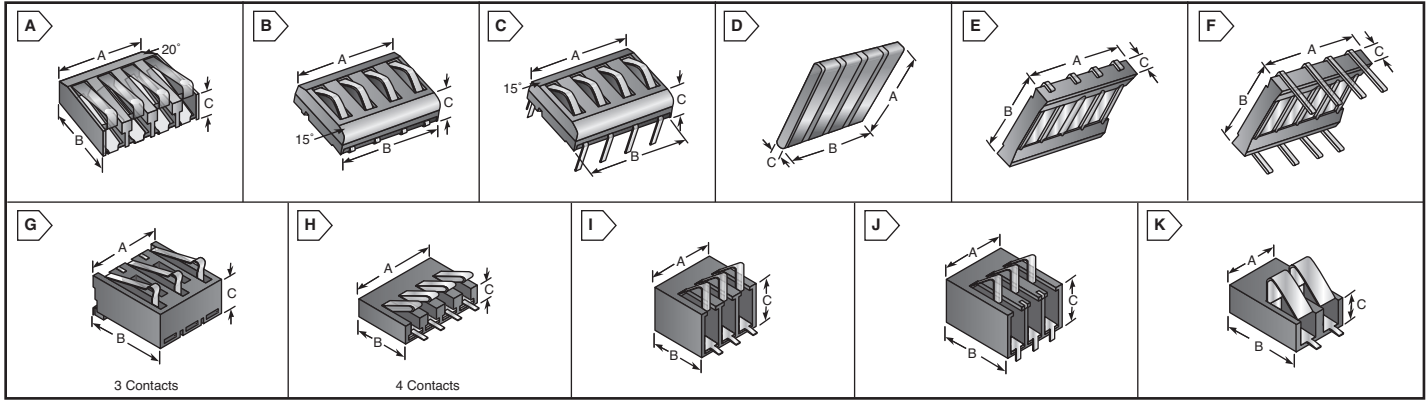


Modular Contacts



Bourns Modular Contacts can be used in cellular telephones, PDAs, laptop computers, portable medical and test equipment and anywhere a rechargeable battery pack is required. Bourns Modular Contacts provide a spring-loaded wiping contact connector for many other non-battery related applications.

Common Features:

- Types Available: Male and Female Contacts
- Function: Rechargeable battery packs, portable electronics and other contact application
- Sizes: 2.54mm, 4.0mm pitch and height

70AA / MALE

Material:
 • Insulator: Glass reinforced thermoplastic, UL 94V-0 rated, black
 • Contact: Copper alloy

Features:
 • 2 to 6 precious metal contacts
 • End-to-end stackable
 • Pick and place compatible
 • High cycle life

Electrical Specifications:
 • Current rating: 3A/contact
 • Voltage: 60V



RoHS Compliant

For quantities of 100 and up, call for quote.

MOUSER STOCK NO.	Fig.	No. of Contacts	Mounting Type	Dimensions: mm			Price Each		
				A	B	C	1	10	50
652-70AAJ-2-M0	A	2	SMD	5.00	7.09	2.54	1.02	.95	.84
652-70AAJ-3-M0	A	3	SMD	7.54	7.09	2.54	1.31	1.22	1.08
652-70AAJ-4-M0	A	4	SMD	10.20	7.09	2.54	1.60	1.49	1.32
652-70AAJ-5-M0	A	5	SMD	12.62	7.09	2.54	2.03	1.89	1.68
652-70AAJ-6-M0	A	6	SMD	15.16	7.09	2.54	2.47	2.30	2.04

70AA / FEMALE

Material:
 • Insulator: Glass reinforced thermoplastic, UL 94V-0 rated, black
 • Contact: Copper alloy

Features:
 • 2 to 6 precious metal contacts
 • End-to-end stackable
 • Pick and place compatible
 • High cycle life

Electrical Specifications:
 • Current rating: 3A/contact
 • Voltage: 60V



RoHS Compliant

For quantities of 100 and up, call for quote.

MOUSER STOCK NO.	Fig.	No. of Contacts	Mounting Type	Dimensions: mm			Price Each		
				A	B	C	1	10	50
652-70AAJ-2-F0	D	2	SMD	4.98	10.00	1.27	.58	.54	.48
652-70AAJ-3-F0	D	3	SMD	7.52	10.00	1.27	.87	.81	.72
652-70AAJ-4-F0	D	4	SMD	10.06	10.00	1.27	1.04	.97	.86
652-70AAJ-6-F0	D	6	SMD	15.14	10.00	1.27	1.36	1.27	1.13
652-70AAJ-6-F1	D	6	SMD	15.14	10.00	1.27	1.36	1.27	1.13

70AD / MALE - 70ADJ

Material:
 • Insulator: Glass reinforced thermoplastic, UL 94V-0 rated, black
 • Contact: Copper alloy
 • Meets MIL-STD-202, method 208

Features:
 • Low profile
 • Rugged design
 • Vertical or horizontal entry

Electrical Specifications:
 • Current rating: DC 3A/contact
 • Voltage: DC 30V

For quantities of 100 and up, call for quote.

MOUSER STOCK NO.	Fig.	No. of Contacts	Mounting Type	Dimensions: mm			Price Each		
				A	B	C	1	10	50
652-70ADJ-2-ML0	B	2	SMD	7.7	11.2	4.0	1.51	1.40	1.14
652-70ADJ-2-ML1	B	2	SMD	7.7	11.2	4.0	1.51	1.40	1.14
652-70ADJ-3-ML0	B	3	SMD	11.7	11.2	4.0	1.89	1.76	1.43
652-70ADJ-4-ML0	B	4	SMD	15.7	11.2	4.0	2.35	2.19	1.78
652-70ADJ-4-ML1	B	4	SMD	15.7	11.2	4.0	2.35	2.19	1.78
652-70ADJ-5-ML0	B	5	SMD	19.7	11.2	4.0	2.84	2.65	2.16
652-70ADJ-5-ML1	B	5	SMD	19.7	11.2	4.0	2.84	2.65	2.16
652-70ADJ-6-ML0	B	6	SMD	23.7	11.2	4.0	3.31	3.08	2.51
652-70ADJ-6-ML1	B	6	SMD	23.7	11.2	4.0	3.31	3.08	2.51

70AD / FEMALE - 70ADJ

Material:
 • Insulator: Glass reinforced thermoplastic, UL 94V-0 rated, black
 • Contact: Copper alloy
 • Meets MIL-STD-202, method 208

Features:
 • Rechargeable battery-pack applications
 • Precious metal contacts

Electrical Specifications:
 • Current rating: DC 3A/contact
 • Voltage: DC 30V

For quantities of 100 and up, call for quote.

MOUSER STOCK NO.	Fig.	No. of Contacts	Mounting Type	Dimensions: mm			Price Each		
				A	B	C	1	10	50
652-70ADJ-2-FLO	E	2	SMD	9.0	11.6	2.3	1.42	1.32	1.08
652-70ADJ-2-FL1	E	2	SMD	9.0	11.6	2.3	1.42	1.32	1.08
652-70ADJ-3-FLO	E	3	SMD	13.0	11.6	2.3	1.68	1.57	1.28
652-70ADJ-4-FLO	E	4	SMD	17.0	11.6	2.3	2.12	1.97	1.61
652-70ADJ-5-FL1	E	5	SMD	21.0	11.6	2.3	2.52	2.35	1.91
652-70ADJ-6-FL1	E	6	SMD	25.0	11.6	2.3	2.96	2.75	2.24

70ADH / MALE - 70ADH

Material:
 • Insulator: Glass reinforced thermoplastic, UL 94V-0 rated, black
 • Contact: Copper alloy
 • Meets MIL-STD-202, method 208

Features:
 • Low profile
 • Rugged design
 • Vertical or horizontal entry

Electrical Specifications:
 • Current rating: DC 3A/contact
 • Voltage: DC 30V

For quantities of 100 and up, call for quote.

MOUSER STOCK NO.	Fig.	No. of Contacts	Mounting Type	Dimensions: mm			Price Each		
				A	B	C	1	10	50
652-70ADH-2-ML0	C	2	PC pin	7.7	11.2	4.0	1.51	1.40	1.14
652-70ADH-3-ML0	C	3	PC pin	11.7	11.2	4.0	1.89	1.76	1.43
652-70ADH-4-ML0	C	4	PC pin	15.7	11.2	4.0	2.35	2.19	1.78
652-70ADH-5-ML0	C	5	PC pin	19.7	11.2	4.0	2.84	2.65	2.16
652-70ADH-6-ML0	C	6	PC pin	23.7	11.2	4.0	3.31	3.08	2.51

70ADH / FEMALE - 70ADH

Material:
 • Insulator: Glass reinforced thermoplastic, UL 94V-0 rated, black
 • Contact: Copper alloy
 • Meets MIL-STD-202, method 208

Features:
 • Rechargeable battery-pack applications
 • Precious metal contacts

Electrical Specifications:
 • Current rating: DC 3A/contact
 • Voltage: DC 30V

For quantities of 100 and up, call for quote.

MOUSER STOCK NO.	Fig.	No. of Contacts	Mounting Type	Dimensions: mm			Price Each		
				A	B	C	1	10	50
652-70ADH-2-FLO	F	2	PC pin	9.0	11.6	2.08	1.42	1.32	1.08
652-70ADH-3-FLO	F	3	PC pin	13.0	11.6	2.08	1.68	1.57	1.28
652-70ADH-4-FLO	F	4	PC pin	17.0	11.6	2.08	2.12	1.97	1.61
652-70ADH-5-FLO	F	5	PC pin	21.0	11.6	2.08	2.52	2.35	1.91
652-70ADH-6-FLO	F	6	PC pin	25.0	11.6	2.08	2.96	2.75	2.24

KOBICONN MODULAR CONTACTS

For quantities of 500 and up, call for quote.

Material:
 • Current rating: 1.0A AC/DC
 • Voltage rating: 250V AC/DC
 • Contact resistance: 30m ohms Max
 • Insulation Resistance: 100M ohm Min
 • Withstanding voltage: 500V AC/minute

Electrical Specifications:
 • Housing: High temp. plastic
 • Terminal: Copper Alloy
 • Plating: Tin Selective Gold

MOUSER STOCK NO.	Fig.	No. of Contacts	Mounting Type	Dimensions: mm			Price Each			
				A	B	C	1	10	50	100
164-19201-311-E	G	3	R/A SMT	8.20	8.50	3.70	.93	.62	.56	.51
164-19201-411-E	G	4	R/A SMT	11.20	8.50	3.70	.93	.62	.56	.51
164-19202-411-E	H	4	Straight SMT	10.60	6.00	1.90	1.01	.67	.61	.55
164-19202-611-E	H	6	Straight SMT	15.68	6.00	1.90	1.14	.76	.69	.63
164-19203-311-E	I	3	Straight SMT	6.50	5.00	4.00	.87	.58	.53	.48
164-19204-321-E	J	3	R/A SMT	6.50	7.00	3.50	.89	.59	.54	.49
164-19213-200-E	K	2	Straight SMT	4.90	8.10	3.00	.56	.37	.34	.31

© Copyright 2009 Mouser Electronics

© Copyright 2009 Mouser Electronics



a tti company