

PHIHONG AC Adapters and Power Over Ethernet Adapters



PHIHONG PSM03A 2.75 WATT FIXED BLADE USB CHARGER

Specifications:

- AC input voltage: 100-240VAC
- Efficiency: 63.7% min. avg.
- Output connector: USB A

Features:

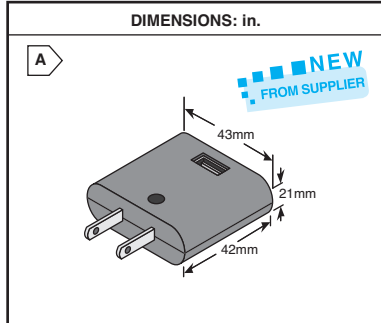
- Fixed blade
- Energy Star EPS version 2.0 compliant
- EISA compliant: Efficiency Level V

- CC and CV control
- 5 star standby power <0.03W
- No Y Cap



For quantities of 250 and up, call for quote.

MOUSER STOCK NO.	Phihong Part No.	Fig.	Output Voltage	Load		Ripple P-P (max)	Regulation L-L	Price Each			
				Min.	Max.			1	5	25	100
552-PSM-03A-050Q-R	PSM03A-050Q-R	A	5V	0A	0.55A	100mV	±5%	4.46	4.23	4.03	3.82



PHIHONG PSA24A 24 WATT WALL PLUG-IN ADAPTER

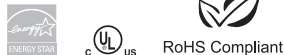
Specifications:

- AC input voltage: 90-264VAC
- Efficiency: 82% min. avg.
- Output connector: 2.1x5.5mm, center positive

Features:

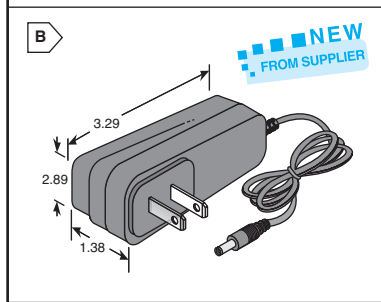
- No load power consumption <0.3 Watt
- Class B EMI
- Energy Star EPS version 2.0 compliant

- Class II double insulated
- EISA and CEC compliant
- Short-Circuit protection



For quantities of 250 and up, call for quote.

MOUSER STOCK NO.	Phihong Part No.	Fig.	Output Voltage	Load		Ripple P-P (max)	Regulation L-L	Price Each			
				Min.	Max.			1	5	25	100
552-PSA-24A-120-R	PSA24A-120(P)-R	B	12V	0A	2.0A	150mV	±5%	16.96	15.96	14.96	13.60



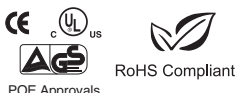
PHIHONG PSA16U 15.4 WATT POWER OVER ETHERNET ADAPTER

Specifications:

- AC input voltage: 90-264VAC
- AC frequency: 47-63Hz
- Efficiency: 65% typical

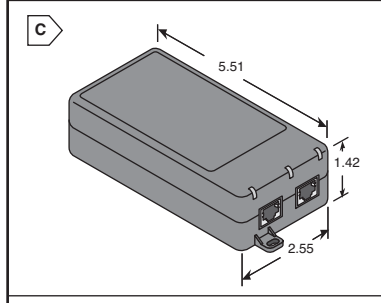
Features:

- Non-vented case
- IOL test report
- Diagnostic LEDs
- Data & power carried over one Ethernet cable
- IEEE 802.3af Compliant
- Full protection OTP, OCP, OVP



For quantities of 250 and up, call for quote.

MOUSER STOCK NO.	Phihong Part No.	Fig.	Output Voltage	Load		Regulation L-L	Price Each				
				Min.	Max.		1	5	25	100	
552-PSA-16U-480-R	PSA16U-480(POE)-R	C	48V	0A	0.35A	±4%	20.34	19.56	18.78	18.04	
AC Input Cord (Sold Separately)							Description				
552-AC30UNA-R	AC30UNA-R		5 ft. 7 in. 3-wire AC cord - US version				4.10	3.75	3.30	2.90	



PHIHONG 19.6-80 WATT POWER OVER ETHERNET ADAPTERS

Specifications:

- AC input voltage: 90-264VAC
- AC frequency: 47-63Hz
- Efficiency: 65% Typ. (POE36U: 78%)
- @ Max. load, & 120VAC 60Hz

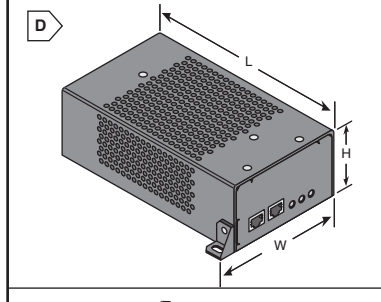
Features:

- Fully compliant detection, disconnect, & voltage control IEEE802.3af
- Diagnostic LEDs
- UNH IOL Test Report
- Full protection OCP, OVP
- Gigabit compatible



For quantities of 250 and up, call for quote.

MOUSER STOCK NO.	Phihong Part No.	Fig.	Output Voltage	Load		Regulation L-L	Price Each			
				Min.	Max.		1	5	25	100
Dimensions (in.): 5.51Lx2.55Wx1.42H										
552-POE-20U-560-R	POE20U-560(G)-R	C	56V	0A	0.35A	54-57Vdc	29.94	28.64	27.79	26.60
*552-POE36U-1AT-R	POE36U-1AT-R	C	56V	0A	0.60A	54-57Vdc	43.95	41.47	39.81	38.26
Dimensions (in.): 6.54Lx3.15Wx1.72H										
552-POE-30U-560GHT-R	POE30U-560GHT-R	C	56V	0A	0.55A	54-57Vdc	49.94	46.03	42.24	38.90
552-POE-60U-560-R	POE60U-560(G)-R	C	+56V +56V	0A 0A	0.55A 0.55A	54-57Vdc 54-57Vdc	62.39	57.50	52.77	48.59
Dimensions (in.): 8.00Lx5.16Wx2.48H										
552-POE-80U-560-R	POE80U-560(G)-R	D	56V	0A	1.43A	54-57Vdc	97.99	90.30	82.87	76.32



PHIHONG 14-52W DC-DC POWER OVER ETHERNET SPLITTERS

Phihong's low-cost splitters are designed to use with any non-enabled device. The splitter provides required PoE detection and data separation and provides isolated DC-DC to step down the voltage to input into a conventional jack socket.

Specifications:

- Output Connector: 2.5x5.5mm, center positive
- DC cord included

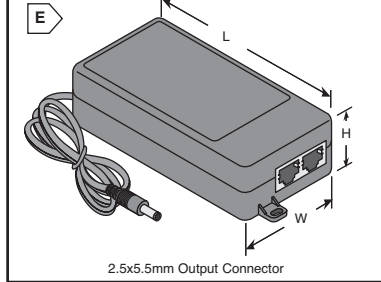
Features:

- DC Good LED
- Non-vented case
- Gigabit compatible
- Full protection OTP, OCP, OVP
- 10/100/1000 Base T Data rates



For quantities of 250 and up, call for quote.

MOUSER STOCK NO.	Phihong Part No.	Fig.	Output Voltage	Output Current	Input Voltage Range	Regulation L-L	Price Each			
							1	5	25	100
Dimensions (in.): 3.94Lx2.21Wx1.10H										
552-POE-14-033-R	POE14-033-R	E	3.3V	2.5A	36-57VDC	±4%	26.45	24.38	22.37	20.60
552-POE-14-050-R	POE14-050-R	E	5V	2.5A	36-57VDC	±4%	26.45	24.38	22.37	20.60
552-POE-14-120-R	POE14-120-R	E	12V	1.0A 1.17A	36-55VDC 55-57VDC	±4%	26.45	24.38	22.37	20.60
Dimensions (in.): 5.51Lx2.56Wx1.42H										
552-POE-21-120-R	POE21-120-R	E	12V	1.75A	45-57VDC	±4%	29.96	27.63	25.30	23.32
552-POE-45-120-R	POE45-120-R	E	12V	3.75A	45-57VDC	±4%	49.88	45.97	42.19	38.85
552-POE-60D-560-R	POE60D-560-R	E	44-57V	1.1A	45-57VDC	unregulated	24.99	23.04	21.14	19.47



PHIHONG PSAA15W 15 WATT SINGLE OUTPUT SERIES

Specifications:

- AC input voltage: 90-264VAC
- AC frequency: 47-63Hz
- Efficiency: 74% min. avg.
- Output connector: 2.1x5.5mm, center positive

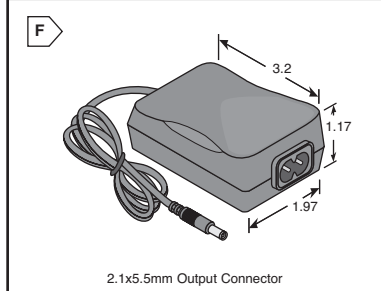
Features:

- Class B EMI
- EISA Compliant: Efficiency Level IV
- 6 foot DC cord included
- No load power consumption <0.5W
- <0.25mA leakage current



For quantities of 250 and up, call for quote.

MOUSER STOCK NO.	Phihong Part No.	Fig.	Output Voltage	Load		Ripple P-P (max)	Regulation L-L	Price Each			
				Min.	Max.			1	5	25	100
552-PSA-A15W-050-R	PSAA15W-050-R	F	5V	0A	3A	70mV	±5%	14.30	13.05	12.07	10.96
552-PSA-A15W-120-R	PSAA15W-120-R	F	12V	0A	1.25A	120mV	±5%	14.30	13.05	12.07	10.96
552-PSA-A15W-240-R	PSAA15W-240-R	F	24V	0A	0.63A	240mV	±5%	14.30	13.05	12.07	10.96
552-PSA-A15W-480-R	PSAA15W-480-R	F	48V	0A	0.31A	480mV	±5%	14.30	13.05	12.07	10.96
AC Input Cord (Sold Separately)							Description				
552-AC15WNA-R	AC15WNA-R		6 ft. 2-wire AC cord - US version				2.38	2.16	1.97	1.84	
552-AC15WEU-R	AC15WEU-R		5 ft. 7 in. 2-wire AC cord - European version				2.80	2.52	2.30	2.15	
552-AC15WUK-R	AC15WUK-R		5 ft. 7 in. 2-wire AC cord - UK version				6.87	6.18	5.64	5.27	



Phihong AC Adapters