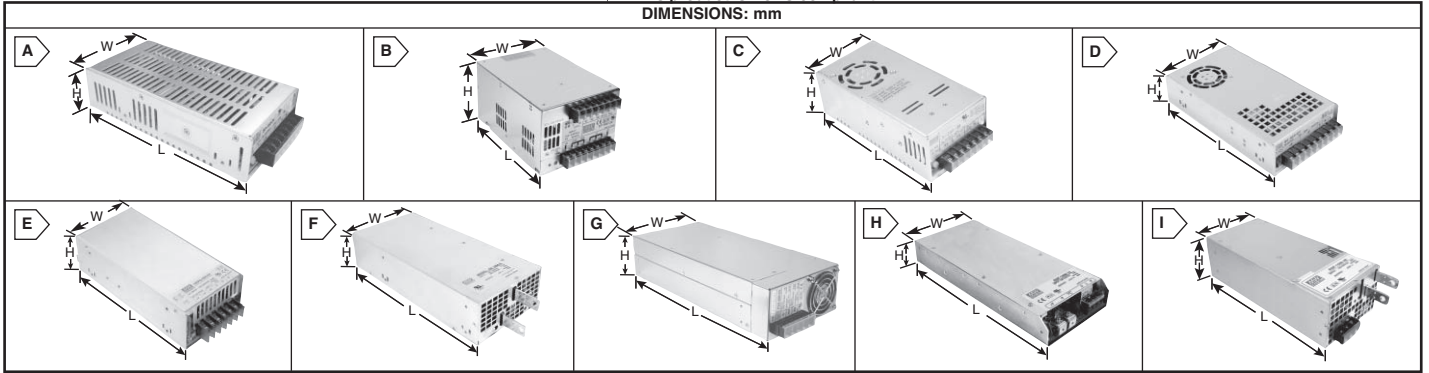


# MEAN WELL Power Supplies



This product is RoHS compliant.  
DIMENSIONS: mm



## MEAN WELL 75W-750W SINGLE OUTPUT SWITCHING POWER SUPPLIES

- Specifications:**
- Universal AC Input 75W-750W: 85 ~ 264VAC
  - AC Input Frequency: 47 ~ 63Hz
- Features:**
- Built-in active PFC function, PF>0.93
  - Short circuit, overload, and overvoltage protection
  - Built-in constant current limiting circuit
  - LED indicator for power on



For quantities of 50 and up, call for quote.

MOUSER STOCK NO.	Mean Well Part No.	Fig.	Output Voltage	Output Current	Power	Price Each		
						1	10	20
<b>Dimensions (mm): 179Lx99Wx32.5H</b>								
709-SP75-5	SP-75-5	A	5V	15A	75W	76.32	68.64	61.75
709-SP75-12	SP-75-12	A	12V	6.3A	75.6W	76.32	68.64	61.75
709-SP75-15	SP-75-15	A	15V	5A	75W	76.32	68.64	61.75
709-SP75-24	SP-75-24	A	24V	3.2A	76.8W	76.32	68.64	61.75
<b>Dimensions (mm): 179Lx99Wx45H</b>								
709-SP100-3.3	SP-100-3.3	A	3.3V	20A	66W	84.05	77.39	69.62
709-SP100-5	SP-100-5	A	5V	20A	100W	84.05	77.39	69.62
709-SP100-12	SP-100-12	A	12V	8.5A	102W	84.05	77.39	69.62
709-SP100-15	SP-100-15	A	15V	6.7A	100.5W	84.05	77.39	69.62
709-SP100-24	SP-100-24	A	24V	4.2A	100.8W	84.05	77.39	69.62
709-SP100-48	SP-100-48	A	48V	2.1A	100.8W	84.05	77.39	69.62
<b>Dimensions (mm): 190Lx93Wx50H</b>								
709-SP240-5	SP-240-5	A	5V	45A	225W	101.95	91.69	82.48
709-SP240-12	SP-240-12	A	12V	20A	240W	101.95	91.69	82.48
709-SP240-15	SP-240-15	A	15V	16A	240W	101.95	91.69	82.48
709-SP240-24	SP-240-24	A	24V	10A	240W	101.95	91.69	82.48
709-SP240-48	SP-240-48	A	48V	5A	240W	101.95	91.69	82.48
<b>Dimensions (mm): 199Lx99Wx50H</b>								
709-SP150-12	SP-150-12	A	12V	12.5A	150W	97.20	87.41	78.64
709-SP150-13.5	SP-150-13.5	A	13.5A	11.2A	151.2W	97.20	87.41	78.64
709-SP150-15	SP-150-15	A	15V	10A	150W	97.20	87.41	78.64
709-SP150-24	SP-150-24	A	24V	6.3A	150W	97.20	87.41	78.64
709-SP150-27	SP-150-27	A	27V	5.6A	151.2W	97.20	87.41	78.64
709-SP150-48	SP-150-48	A	48V	3.2A	153.6W	97.20	87.41	78.64
<b>Dimensions (mm): 199Lx99Wx50H</b>								
709-SP200-3.3	SP-200-3.3	A	3.3V	40A	132W	80.00	75.00	71.25
709-SP200-5	SP-200-5	A	5V	40A	200W	80.00	75.00	71.25
709-SP200-12	SP-200-12	A	12V	16.7A	200.4W	80.00	75.00	71.25
709-SP200-15	SP-200-15	A	15V	13.4A	201W	80.00	75.00	71.25
709-SP200-24	SP-200-24	A	24V	8.4A	200W	80.00	75.00	71.25
709-SP200-48	SP-200-48	A	48V	4.2A	202.5W	80.00	75.00	71.25
<b>Dimensions (mm): 215Lx115Wx50H</b>								
709-SP320-3.3	SP-320-3.3	A	3.3V	60A	320W	114.65	98.60	94.81
709-SP320-5	SP-320-5	A	5V	55A	275W	114.65	98.60	94.81
709-SP320-12	SP-320-12	A	12V	25A	300W	141.98	127.69	114.67
709-SP320-24	SP-320-24	A	24V	13A	312W	114.65	98.60	94.81
709-SP320-27	SP-320-27	A	27V	11.7A	315.9W	114.65	98.60	94.81
709-SP320-36	SP-320-36	A	36V	8.8A	316.8W	114.65	98.60	94.81
709-SP320-48	SP-320-48	A	48V	6.7A	321.6W	114.65	98.60	94.81
<b>Dimensions (mm): 278Lx127Wx43H</b>								
709-SP480-5	SP-480-5	A	5V	85A	425W	211.40	181.80	174.81
709-SP480-12	SP-480-12	A	12V	40A	480W	211.40	181.80	174.81
709-SP480-24	SP-480-24	A	24V	20A	480W	211.40	181.80	174.81
<b>Dimensions (mm): 170Lx120Wx93H</b>								
709-SP500-24	SP-500-24	B	24V	20A	480W	202.56	174.20	167.50
709-SP500-27	SP-500-27	B	27V	18A	486W	202.56	174.20	167.50
709-SP500-48	SP-500-48	B	48V	10A	480W	202.56	174.20	167.50
<b>Dimensions (mm): 278Lx128Wx64H</b>								
709-SP750-24	SP-750-24	A	24V	31.3A	750W	316.86	272.50	262.02
709-SP750-48	SP-750-48	A	48V	15.7A	750W	316.86	272.50	262.02

## MEAN WELL 240-320W SWITCHING POWER SUPPLIES

- Specifications:**
- Universal AC Input: 88 ~ 132VAC/176~264VAC auto switch
  - AC Input Frequency: 47 ~ 63Hz
  - Dimensions (mm): 240W: 190Lx93Wx65H 300W: 215Lx115Wx50H
- Features:**
- Short circuit, overload, and overvoltage protection
  - Forced air cooling by built-in DC fan
  - Built-in cooling Fan On-Off control



For quantities of 50 and up, call for quote.

MOUSER STOCK NO.	Mean Well Part No.	Fig.	Output Voltage	Output Current	Power	Price Each		
						1	10	20
709-S240-24	S-240-24	C	24V	10A	240W	105.67	89.69	79.03
709-S320-12	S-320-12	C	12V	25A	300W	119.81	107.74	96.93
709-S320-24	S-320-24	C	24V	12.5A	300W	119.81	107.74	96.93



## MEAN WELL 450W-1000W SWITCHING POWER SUPPLIES

- Specifications:**
- Universal AC Input: 90 ~ 132VAC/180~264VAC selected by switch
  - AC Input Frequency: 47 ~ 63Hz
  - Dimensions (mm): 450W: 225Lx124Wx50H 600W: 247Lx127Wx63.5H 1000W: 278Lx127Wx63.5H



- Features:**
- AC input active surge current limiting
  - Short circuit, overload, overvoltage, and overtemperature protection
  - Forced air cooling by built-in DC fan
  - Built-in remote sense function

For quantities of 50 and up, call for quote.

MOUSER STOCK NO.	Mean Well Part No.	Fig.	Output Voltage	Output Current	Power	Price Each		
						1	10	20
709-SE450-12	SE-450-12	D	12V	37.5A	450W	155.52	139.86	125.82
709-SE450-24	SE-450-24	D	24V	18.8A	451.2W	155.52	139.86	125.82
709-SE600-12	SE-600-12	E	12V	50A	600W	196.13	176.38	158.67
709-SE600-24	SE-600-24	E	24V	25A	600W	196.13	176.38	158.67
709-SE1000-12	SE-1000-12	F	12V	83.3A	999.6W	318.83	286.82	246.20
709-SE1000-24	SE-1000-24	F	24V	41.7A	1000.8W	318.83	286.82	246.20

## MEAN WELL 400-600W PARALLEL SWITCHING POWER SUPPLIES

- Specifications:**
- Universal AC Input: 88 ~ 264VAC
  - AC Input Frequency: 47 ~ 63Hz
  - Dimensions (mm): 500W: 278Lx127Wx64H 600W: 170Lx120Wx93H

- Features:**
- Universal AC Input / Full Range
  - Short circuit, overload, and overvoltage protection
  - Built-in active PFC function
  - Built in active parallel function for higher wattage

For quantities of 50 and up, call for quote.

MOUSER STOCK NO.	Mean Well Part No.	Fig.	Output Voltage	Output Current	Power	Price Each		
						1	10	20
709-PSP500-12	PSP-500-12	A	12V	41.5A	498W	242.15	208.25	200.24
709-PSP500-24	PSP-500-24	G	24V	20.8A	499.2W	242.15	208.25	200.24
709-PSP600-12	PSP-600-12	B	12V	50A	600W	206.98	178.00	171.15
709-PSP600-48	PSP-600-48	B	48V	12.5A	600W	206.98	178.00	171.15

## MEAN WELL 600W SWITCHING POWER SUPPLIES WITH PFC FUNCTION

- Specifications:**
- Universal AC Input: 85 ~ 264VAC
  - AC Input Frequency: 47 ~ 63Hz
  - Dimensions (mm): 218Lx105Wx63.5H

- Features:**
- Built-in active PFC function, PF>0.95
  - Withstand 300VAC surge input for 5 sec.
  - Short circuit, overload, overvoltage, and overtemperature protection
  - Built-in cooling fan On-Off control (load)
  - Built-in remote sense function
  - No load power consumption <0.75W



For quantities of 50 and up, call for quote.

MOUSER STOCK NO.	Mean Well Part No.	Fig.	Output Voltage	Output Current	Power	Price Each		
						1	10	20
709-HRPG600-12	HRPG-600-12	E	12V	53A	636W	313.92	282.31	253.97
709-HRPG600-24	HRPG-600-24	E	24V	27A	648W	313.92	282.31	253.97

## MEAN WELL 1000-2400W PARALLEL SWITCHING POWER SUPPLIES

- Specifications:**
- Universal AC Input: 90 ~ 264VAC
  - AC Input Frequency: 47 ~ 60Hz
  - Dimensions (mm): 1000W: 295Lx127Wx41H 1500W: 278Lx127Wx84H

- Features:**
- Universal AC Input / Full Range
  - Built-in active PFC function, PF>0.94
  - Short circuit, overload, and overvoltage protection



For quantities of 50 and up, call for quote.

MOUSER STOCK NO.	Mean Well Part No.	Fig.	Output Voltage	Output Current	Power	Price Each		
						1	10	20
709-RSP1000-24	RSP-1000-24	H	24V	40A	960W	441.86	380.00	365.38
709-RSP1000-48	RSP-1000-48	H	48V	21A	1008W	441.86	380.00	365.38
709-RSP1500-12	RSP-1500-12	I	12V	125A	1500W	666.92	599.97	515.00
709-RSP1500-48	RSP-1500-48	I	48V	32A	1536W	666.92	599.97	515.00
709-RSP-2400-12	RSP-2400-12	I	12V	166.7A	2000.4W	881.28	792.54	712.98
709-RSP-2400-24	RSP-2400-24	I	24V	100A	2400W	881.28	792.54	712.98
709-RSP-2400-48	RSP-2400-48	I	48V	50A	2400W	881.28	792.54	712.98