

MEAN WELL AC Adapters and Power Supplies



RoHS Compliant This product is RoHS compliant.

4-25W AC-DC SINGLE OUTPUT WALL-MOUNT SERIES

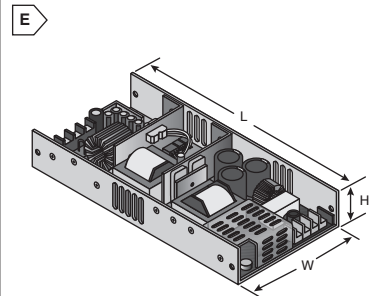
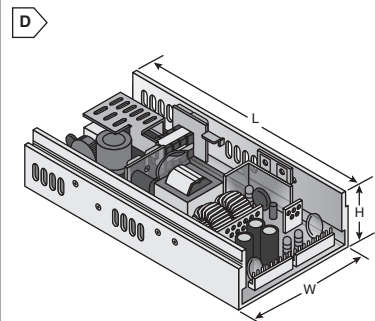
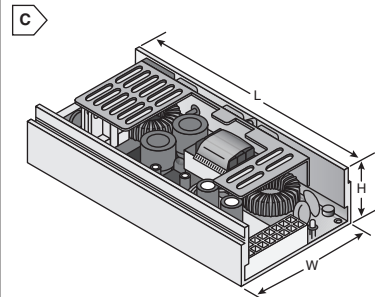
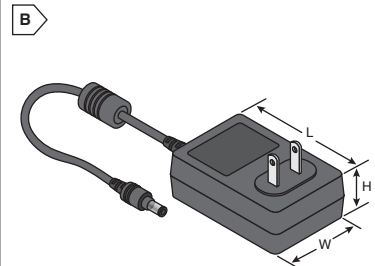
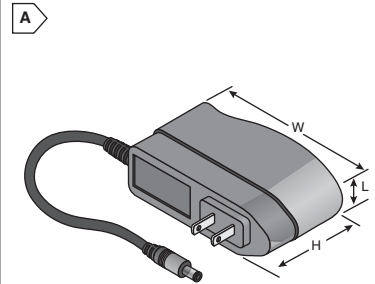
- Universal AC input / Full range
- Class II power (without earth pin)
- European version available — contact a Mouser Service Representative
- Protections: Short circuit, Overload, Overvoltage
- Fully enclosed plastic case
- EISA
- Output connector: 2.1x5.5 Center positive



For quantities of 50 and up, call for quote.

MOUSER STOCK NO.	Mean Well Part No.	Fig.	Output Voltage	Output Current	Power	Dimensions: mm			Price Each		
						L	W	H	1	10	20
• No Load Power Consumption <0.5W						• Pass Energy Star Level IV for Full Series					
709-GS06U-1P1J	GS06U-1P1J	A	5V	1.0A	5W	32	66	42.5	20.16	18.13	16.31
709-GS06U-11P1J	GS06U-11P1J	A	7.5V	0.8A	6W	32	66	42.5	20.16	18.13	16.31
709-GS06U-2P1J	GS06U-2P1J	A	9V	0.66A	6W	32	66	42.5	20.16	18.13	16.31
709-GS06U-3P1J	GS06U-3P1J	A	12V	0.5A	6W	32	66	42.5	20.16	18.13	16.31
709-GS06U-4P1J	GS06U-4P1J	A	15V	0.4A	6W	32	66	42.5	20.16	18.13	16.31
709-GS06U-5P1J	GS06U-5P1J	A	18V	0.33A	6W	32	66	42.5	20.16	18.13	16.31
709-GS06U-6P1J	GS06U-6P1J	A	24V	0.25A	6W	32	66	42.5	20.16	18.13	16.31
709-GS06U-8P1J	GS06U-8P1J	A	48V	0.125A	6W	32	66	42.5	20.16	18.13	16.31
• No Load Power Consumption <0.3W/240VAC						• Pass Energy Star Level IV for Full Series					
709-GS12U07-P11	GS12U07-P11	B	7.5V	1.6A	12W	65	47	26.5	20.74	18.65	16.78
709-GS12U09-P11	GS12U09-P11	B	9V	1.33A	12W	65	47	26.5	20.74	18.65	16.78
709-GS12U12-P11	GS12U12-P11	B	12V	1.0A	12W	65	47	26.5	20.74	18.65	16.78
709-GS12U15-P11	GS12U15-P11	B	15V	0.8A	12W	65	47	26.5	20.74	18.65	16.78
709-GS12U18-P11	GS12U18-P11	B	18V	0.67A	12.06W	65	47	26.5	20.74	18.65	16.78
709-GS12U24-P11	GS12U24-P11	B	24V	0.5A	12W	65	47	26.5	20.74	18.65	16.78
• No Load Power Consumption <0.5W						• Pass Energy Star Level IV for Full Series					
709-GS15U-0P1J	GS15U-0P1J	A	3.3V	2.18A	7.2W	34	71	50	28.80	25.90	23.30
709-GS15U-1P1J	GS15U-1P1J	A	5V	2.40A	12W	34	71	50	28.80	25.90	23.30
709-GS15U-11P1J	GS15U-11P1J	A	7.5V	1.60A	12W	34	71	50	28.80	25.90	23.30
709-GS15U-2P1J	GS15U-2P1J	A	9V	1.66A	15W	34	71	50	28.80	25.90	23.30
709-GS15U-3P1J	GS15U-3P1J	A	12V	1.25A	15W	34	71	50	28.80	25.90	23.30
709-GS15U-4P1J	GS15U-4P1J	A	15V	1.00A	15W	34	71	50	28.80	25.90	23.30
709-GS15U-6P1J	GS15U-6P1J	A	24V	0.62A	15W	34	71	50	28.80	25.90	23.30
• No Load Power Consumption <0.5W						• Pass Energy Star (CEC) Level IV for 5~48V Output					
709-GS18U05-P1J	GS18U05-P1J	B	5V	3.0A	15W	79	54	33	24.19	21.76	19.57
709-GS18U07-P1J	GS18U07-P1J	B	7.5V	2.0A	15W	79	54	33	24.19	21.76	19.57
709-GS18U09-P1J	GS18U09-P1J	B	9V	2.0A	18W	79	54	33	24.19	21.76	19.57
709-GS18U12-P1J	GS18U12-P1J	B	12V	1.5A	18W	79	54	33	24.19	21.76	19.57
709-GS18U15-P1J	GS18U15-P1J	B	15V	1.2A	18W	79	54	33	24.19	21.76	19.57
709-GS18U18-P1J	GS18U18-P1J	B	18V	1.0A	18W	79	54	33	24.19	21.76	19.57
709-GS18U24-P1J	GS18U24-P1J	B	24V	0.75A	18W	79	54	33	26.50	23.83	21.44
709-GS18U28-P1J	GS18U28-P1J	B	28V	0.64A	18W	79	54	33	26.50	23.83	21.44
709-GS18U48-P1J	GS18U48-P1J	B	48V	0.375A	18W	79	54	33	26.50	23.83	21.44
• No Load Power Consumption <0.5W						• Pass Energy Star (CEC) Level IV Regulation					
709-GS25U05-P1J	GS25U05-P1J	B	5V	4.0A	20W	79	54	33	25.63	23.05	20.74
709-GS25U07-P1J	GS25U07-P1J	B	7.5V	2.93A	22W	79	54	33	25.63	23.05	20.74
709-GS25U09-P1J	GS25U09-P1J	B	9V	2.77A	25W	79	54	33	25.63	23.05	20.74
709-GS25U12-P1J	GS25U12-P1J	B	12V	2.08A	25W	79	54	33	25.63	23.05	20.74
709-GS25U15-P1J	GS25U15-P1J	B	15V	1.66A	25W	79	54	33	24.19	21.76	19.57
709-GS25U18-P1J	GS25U18-P1J	B	18V	1.38A	25W	79	54	33	25.63	23.05	20.74
709-GS25U24-P1J	GS25U24-P1J	B	24V	1.04A	25W	79	54	33	28.22	25.38	22.83
709-GS25U28-P1J	GS25U28-P1J	B	28V	0.89A	25W	79	54	33	28.22	25.38	22.83
709-GS25U48-P1J	GS25U48-P1J	B	48V	0.52A	25W	79	54	33	26.78	24.09	21.67

DIMENSIONS: mm



MEAN WELL 225-500W SINGLE OUTPUT POWER SUPPLY

- Specifications:**
- Universal Input: 90~264VAC
 - AC Input Frequency: 47~63Hz
 - No load power consumption <1W

- Features:**
- Short circuit, overload, and overvoltage protection
 - Universal AC Input / Full Range
 - Built-in active PFC function, PF>0.94



For quantities of 50 and up, call for quote.

MOUSER STOCK NO.	Mean Well Part No.	Fig.	Output Voltage	Output Current	Power	Dimensions: mm			Price Each		
						L	W	H	1	10	20
709-USP225-3.3	USP-225-3.3	C	3.3V	40A	132W	202	101.5	38	105.81	91.00	87.50
709-USP225-5	USP-225-5	C	5V	40A	200W	202	101.5	38	105.81	91.00	87.50
709-USP225-12	USP-225-12	C	12V	18.7A	224.4W	202	101.5	38	105.81	91.00	87.50
709-USP225-24	USP-225-24	C	24V	90.4A	225.6W	202	101.5	38	105.81	91.00	87.50
709-USP225-48	USP-225-48	C	48V	4.7A	225.6W	202	101.5	38	105.81	91.00	87.50
709-USP350-3.3	USP-350-3.3	D	3.3V	70A	165W	235.2	101.5	38	171.80	147.75	142.07
709-USP350-5	USP-350-5	D	5V	70A	250W	235.2	101.5	38	171.80	147.75	142.07
709-USP350-12	USP-350-12	D	12V	29.2A	300W	235.2	101.5	38	171.80	147.75	142.07
709-USP350-24	USP-350-24	D	24V	14.6A	300W	235.2	101.5	38	171.80	147.75	142.07
709-USP350-48	USP-350-48	D	48V	7.3A	300W	235.2	101.5	38	171.80	147.75	142.07
709-USP500-5	USP-500-5	E	5V	80A	300W	254	127	41	283.72	244.00	234.62
709-USP500-12	USP-500-12	E	12V	42A	396W	254	127	41	283.72	244.00	234.62
709-USP500-24	USP-500-24	E	24V	21A	408W	254	127	41	283.72	244.00	234.62
709-USP500-48	USP-500-48	E	48V	10.5A	408W	254	127	41	283.72	244.00	234.62

© Copyright 2009 Mouser Electronics

© Copyright 2009 Mouser Electronics

Mean Well Power Supplies