

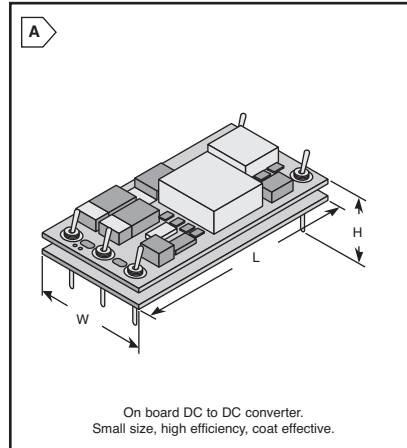
ETA-USA OB SERIES DC INPUT AND DUAL SINGLE OUTPUT

- Small Input Current at No Load
- Fixed Switching Frequency 170kHz
- Over Current Protection
- Three Year Warranty
- Output Trimming, High Efficiency
- Isolation Voltage: 500V min.
- Cross to Cosel ZS & ZW Series

Other voltages available. Contact a Mouser Service Representative.

For quantities of 50 and up, call for quote.

MOUSER STOCK NO.	ETA-USA Part No.	Fig.	Power	Input Voltage	Output Voltage	Dimensions: in.			Price Each			
						W	L	H	1	5	10	25
Single Output												
618-OBQ05SC0512	OBQ05SC0512	A	3W	4.5-16	5	0.79	1.26	0.39	23.67	22.20	21.46	20.72
618-OBQ05SC1224	OBQ05SC1224	A	3W	8-32	5	0.79	1.26	0.39	23.67	22.20	21.46	20.72
618-OBQ12SC0512	OBQ12SC0512	A	3W	4.5-16	12	0.79	1.26	0.39	23.67	22.20	21.46	20.72
618-OBQ12SC1224	OBQ12SC1224	A	3W	8-32	12	0.79	1.26	0.39	23.67	22.20	21.46	20.72
618-OBQ12SC12	OBQ12SC12	A	3W	9-18	12	0.79	1.26	0.39	22.84	21.41	20.70	19.99
618-OBQ15SC2448	OBQ15SC2448	A	3W	18-72	15	0.79	1.26	0.39	23.67	22.20	21.46	20.72
618-OBQ24SC05	OBQ24SC05	A	3W	4.5-6	24	0.79	1.26	0.39	22.84	21.41	20.70	19.99
618-OBQ24SC0512	OBQ24SC0512	A	3W	4.5-16	24	0.79	1.26	0.39	23.67	22.20	21.46	20.72
618-OBQ24SC1224	OBQ24SC1224	A	3W	8-32	24	0.79	1.26	0.39	23.67	22.20	21.46	20.72
618-OBRO5SC0512	OBRO5SC0512	A	6W	4.5-16	5	1.14	1.81	0.39	33.26	31.18	30.14	29.09
618-OBRO5SC1224	OBRO5SC1224	A	6W	8-32	5	1.14	1.81	0.39	33.26	31.18	30.14	29.09
618-OBRI2SC0512	OBRI2SC0512	A	6W	4.5-16	12	1.14	1.81	0.39	33.26	31.18	30.14	29.09
618-OBRI2SC1224	OBRI2SC1224	A	6W	8-32	12	1.14	1.81	0.39	33.26	31.18	30.14	29.09
618-OBRI2SC12	OBRI2SC12	A	6W	9-18	24	1.14	1.81	0.39	31.94	29.94	28.95	27.94
618-OBRS12SC12	OBRS12SC12	A	10W	9-18	12	1.81	1.54	0.43	48.77	45.72	44.19	42.67
618-OBRS24SC12	OBRS24SC12	A	10W	9-18	24	1.81	1.54	0.43	48.77	45.72	44.19	42.67
Dual Output												
618-OBZ3WC0512	OBZ3WC0512	A	6W	5-12	+/-15V	1.14	1.81	0.39	34.63	32.46	31.81	31.16



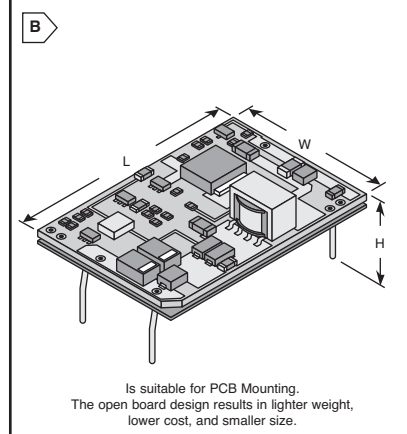
ETA-USA OE SERIES SINGLE AND DUAL OUTPUT

- Three Year Warranty
- Over Current Protection
- Isolation Voltage: 500V min.
- Fixed Switching Frequency: 170kHz
- Input Range: 4 ~ 72VDC
- Operating Temperature Range: -20°C ~ +71°C
- PCB Mountable
- Output Trimming Pin

Other voltages available. Contact a Mouser Service Representative.

For quantities of 50 and up, call for quote.

MOUSER STOCK NO.	ETA-USA Part No.	Fig.	Power	Input Voltage	Output Voltage	Dimensions: in.			Price Each			
						W	L	H	1	5	10	25
DC Input Single Output												
618-OEJ05SC1224	OEJ05SC1224	B	1.5W	8-32	5	0.77	1.26	0.31	16.43	15.41	14.89	14.37
618-OEJ12SC0512	OEJ12SC0512	B	1.5W	4.5-16	12	0.77	1.26	0.31	16.43	15.41	14.89	14.37
618-OEJ22WC0512	OEJ22WC0512	B	1.5W	4.5-16	±12V	0.77	1.26	0.31	17.80	16.69	16.14	15.57
618-OEJ24SC0512	OEJ24SC0512	B	1.5W	4.5-16	24	0.77	1.26	0.31	16.43	15.41	14.89	14.37
618-OEJ24SC1224	OEJ24SC1224	B	1.5W	8-32	24	0.77	1.26	0.31	16.43	15.41	14.89	14.37
618-OES05SC1224	OES05SC1224	B	10W	8-32	5	1.54	1.81	0.33	35.40	33.18	32.08	30.97
618-OES24SC1224	OES24SC1224	B	10W	8-32	24	1.54	1.81	0.33	35.40	33.18	32.08	30.97
DC Input Dual Output												
618-OEJ23WC0512	OEJ23WC0512	B	1.5W	4.5-16	±15	0.77	1.26	0.31	17.80	16.69	16.14	15.57
618-OES22WC1224	OES22WC1224	B	10W	8-32	±12	1.54	1.81	0.33	36.76	34.47	33.32	32.17



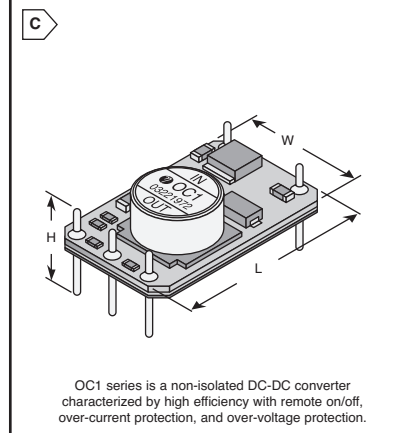
ETA-USA OC SERIES DC INPUT SINGLE OUTPUT

- Remote ON/OFF
- Over Current Protection
- PCB Mountable
- Switching Frequency: 160kHz
- Dimensions: in.: 0.84(W) X 1.26 (L) X 0.39 (H)
- Operating Temperature Range: -20°C ~ +71°C

Other voltages available. Contact a Mouser Service Representative.

For quantities of 50 and up, call for quote.

MOUSER STOCK NO.	ETA-USA Part No.	Fig.	Power	Input Voltage	Output Voltage	Output Current	Price Each			
							1	5	10	25
618-OC13.3SC1224	OC13.3SC1224	C	4.6W	10.2-32	3.3V	1.4A	18.85	17.68	17.10	16.51
618-OC105SC1224	OC105SC1224	C	7.0W	10.2-32	5V	1.4A	19.14	17.88	17.30	16.70
618-OC106SC1224	OC106SC1224	C	8.4W	10.2-32	6V	1.4A	18.85	17.68	17.10	16.51
618-OC105SC2448	OC105SC2448	C	7.0W	20.4-56	5V	1.4A	18.85	17.68	17.10	16.51
618-OC112SC2448	OC112SC2448	C	15.6W	20.4-56	12V	1.3A	18.85	17.68	17.10	16.51
618-OC124SC48	OC124SC48	C	28.8W	40.8-56	24V	1.2A	19.11	17.92	17.32	16.73



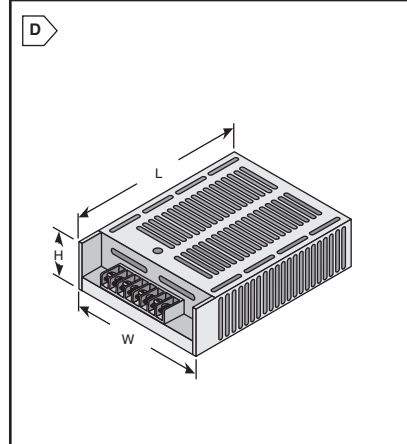
ETA-USA VT / SV SERIES DC SINGLE OUTPUT

- Three Year Warranty
- Chassis Mount Type
- Compact & High Efficiency
- Over Current Protection
- Operating Temperature Range: 0°C ~ +50°C

Other voltages available. Contact a Mouser Service Representative.

For quantities of 50 and up, call for quote.

MOUSER STOCK NO.	ETA-USA Part No.	Fig.	Power	Input Voltage	Output Voltage	Dimensions: in.			Price Each			
						W	L	H	1	5	10	25
618-VTA48SC24	VTA48SC24	D	25W	19-32	48	3.35	5.31	1.22	110.82	103.89	100.43	96.96
618-VTD24SC12	VTD24SC12	D	100W	9.2-16	24	1.89	7.48	3.82	213.21	199.88	193.22	186.55
618-VTD48SC12	VTD48SC12	D	100W	9.2-16	48	1.89	7.48	3.82	213.21	199.88	193.22	186.55
618-VTE24SC24	VTE24SC24	D	150W	19-32	24	3.80	8.00	2.50	297.44	278.85	269.56	260.26
618-VTB01C48	VTB01C48	D	45W	38-63	12	3.80	8.00	2.50	160.04	150.04	145.04	140.04
618-SVA24SC12	SVA24SC12	D	25W	19-32	24	2.87	3.74	0.94	100.81	94.51	91.36	88.22



ETA-USA DC-DC Converters