

STANCOR DC Power Contactors and Thermostats



DC POWER CONTACTORS

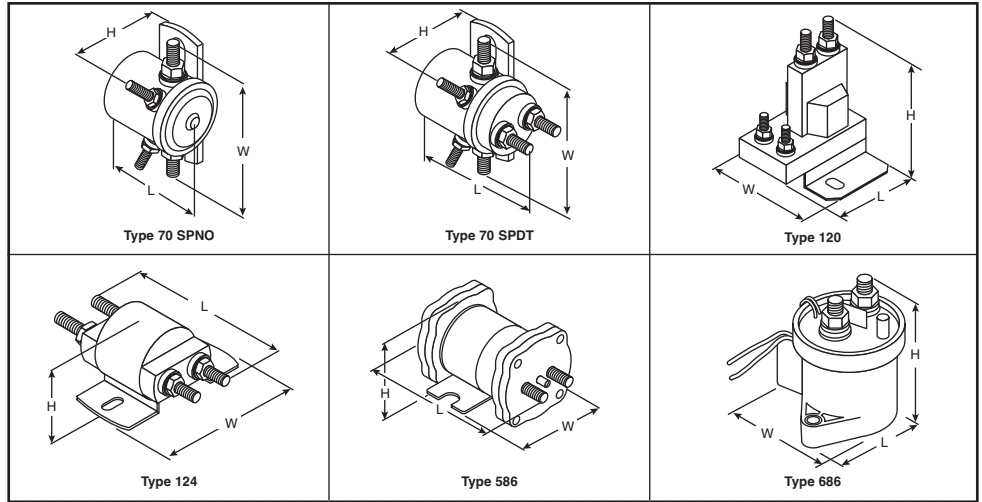
- Industry benchmark designs
- Superior quality and materials
- Broad range of coil voltages and contact ratings
- Long operating life
- Versatile mounting and termination

Features:

- Heavy duty mounting brackets
- Robust 5/16" - 24 studs
- Rated for Continuous Duty or Intermittent Duty
- Isolated, grounded, and common coil configurations available
- Dust and splash proof designs available

Specifications:

- Contact Pole Forms:
 - Single Pole Normally Open (SPNO)
 - Single Pole Double Throw (SPDT)
- Coil Voltages:
 - Ranging from 6VDC to 96VDC
- Operating Temperatures:
 - Ranging from -20°F to 150°F (Ambient)
- Contact Ratings:
 - Normally Open
 - Ranging from 50A to 500A Continuous
 - Ranging from 200A to 1200A Inrush
 - Normally Closed
 - Ranging from 30A to 100A Continuous
 - Ranging from 30A to 300A Inrush
- Duty Cycle: Continuous



For quantities of 100 and up, call for quote.

MOUSER STOCK NO.	Stancor Part No.	Pole Form	Bracket Style	Coil Volt DC	Coil Resistance (Ω) @ 25°C	Contact Material	Contact Rating (Amps) Inductive Load					Dimensions: in.			Wt. (lbs.)	Price Each		
							Volt DC	Norm. Open		Norm. Closed		L	W	H		1	10	50
								Cont.	Inrush	Cont.	Inrush							
Type 70																		
802-70-901	70-901	SPNO	Standard	6	4	Copper	6	80	300	---	---	2.47	3.48	2.40	0.78	16.57	15.01	13.73
802-70-914	70-914	SPNO	Standard	12	16	Copper	12	80	150	---	---	2.47	3.48	2.40	0.78	17.62	16.30	14.71
802-70-902	70-902	SPNO	Standard	12	16	Copper	12	80	150	---	---	2.47	3.48	2.40	0.78	16.74	15.46	14.21
802-70-906	70-906	SPNO	Standard	12	16	Silver	12	80	150	---	---	2.47	3.48	2.40	0.78	36.01	33.32	30.60
802-70-915	70-915	SPNO	Standard	24	60	Copper	24	50	50	---	---	2.47	3.48	2.40	0.78	17.37	16.08	14.76
802-70-903	70-903	SPNO	Standard	24	60	Copper	24	50	50	---	---	2.47	3.48	2.40	0.78	16.79	15.54	14.27
802-70-904	70-904	SPNO	Standard	36	114	Copper	36	50	50	---	---	2.47	3.48	2.40	0.78	17.22	15.94	14.37
802-70-922	70-922	SPDT	Standard	12	16	NO Cop./NC Slvr	12	80	300	60	60	3.31	3.48	2.40	0.88	41.23	38.14	34.42
802-70-910	70-910	SPDT	Standard	12	16	Silver	12	80	150	60	60	3.31	3.48	2.40	0.88	61.87	57.22	52.59
802-70-911	70-911	SPDT	Standard	24	60	Silver	24	50	50	30	30	3.31	3.48	2.40	0.88	62.14	57.48	51.88
Type 120																		
802-120-901	120-901	SPNO	Standard	12	16	Silver Alloy	12	100	400	---	---	2.13	2.88	3.25	0.38	16.64	15.40	14.15
802-120-907	120-907	SPNO	L	12	16	Silver Alloy	12	100	400	---	---	2.50	3.00	3.25	0.38	17.50	16.19	14.61
802-120-902	120-902	SPNO	Standard	15	20.8	Silver Alloy	15	100	400	---	---	2.13	2.88	3.25	0.38	17.17	15.88	14.33
802-120-908	120-908	SPNO	L	15	20.8	Silver Alloy	15	100	400	---	---	2.50	3.00	3.25	0.38	17.00	15.74	14.46
802-120-904	120-904	SPNO	Standard	24	64	Silver Alloy	24	100	400	---	---	2.13	2.88	3.25	0.38	16.64	15.40	14.15
Type 124																		
802-124-906	124-906	SPNO	Standard	12	13.2	Silver Alloy	12	100	400	---	---	3.56	3.13	2.19	1.00	29.96	27.17	24.88
802-124-902	124-902	SPNO	Standard	12	13.2	Silver Alloy	12	100	400	---	---	3.56	3.13	2.19	1.00	29.96	27.17	24.88
802-124-910	124-910	SPDT	Standard	12	13.2	Silver Alloy	12	200	600	50	200	4.69	3.13	2.19	1.19	46.71	42.44	38.85
802-124-903	124-903	SPNO	Standard	24	53	Silver Alloy	24	100	400	---	---	3.56	3.13	2.19	1.00	29.96	27.17	24.88
802-124-911	124-911	SPDT	Standard	24	53	Silver Alloy	24	200	600	50	100	4.69	3.13	2.19	1.19	46.71	42.44	38.85
802-124-904	124-904	SPNO	Standard	36	120	Silver Alloy	36	100	400	---	---	3.56	3.13	2.19	1.00	29.96	27.17	24.88
Type 586																		
802-586-901	586-901	SPNO	Standard	6	5.3	Silver Alloy	6	200	600	---	---	3.69	3.30	2.90	1.50	47.01	42.71	39.10
802-586-902	586-902	SPNO	Standard	12	21	Silver Alloy	12	200	600	---	---	3.69	3.30	2.90	1.50	47.01	42.71	39.10
802-586-905	586-905	SPNO	Standard	24	84	Silver Alloy	24	200	600	---	---	3.69	3.30	2.90	1.50	47.01	42.71	39.10
802-586-906	586-906	SPNO	Standard	36	189	Silver Alloy	36	200	600	---	---	3.69	3.30	2.90	1.50	46.75	43.25	39.05
802-586-907	586-907	SPNO	Standard	48	336	Silver Alloy	36	200	600	---	---	3.69	3.30	2.90	1.50	47.01	42.71	39.10
802-586-911	586-911	SPDT	Standard	12	13.2	Silver Alloy	12	200	600	100	300	4.61	3.30	2.90	1.63	65.09	60.05	55.01
802-586-914	586-914	SPDT	Standard	24	53	Silver Alloy	24	200	600	100	200	4.61	3.30	2.90	1.63	66.11	60.22	55.23
Type 686																		
802-686-901	686-901	SPNO	Vertical	12-36	3.3	Copper	12-36	500	1200	---	---	3.17	2.58	2.85	0.94	216.16	200.07	185.12
802-686-902	686-902	SPNO	Vertical	48-96	3.3	Copper	48-96	500	1200	---	---	3.17	2.58	2.85	0.94	220.48	204.07	188.81
802-686-905	686-905	SPNO	Vertical	12	10.5	Copper	12	500	1200	---	---	3.17	2.58	2.85	1.30	165.75	153.40	141.93

STANCOR SNAP ACTION DISC THERMOSTATS

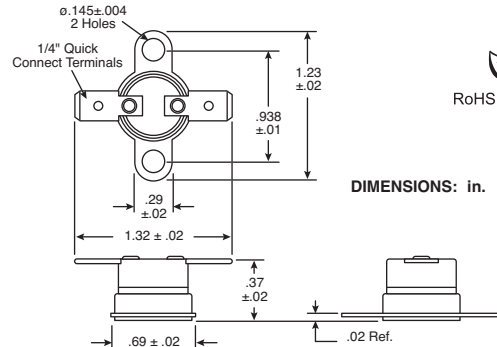
Features:

- Loose ring, stainless steel mounting brackets
- 1/4" quick connect termination
- Automatic reset
- Enclosed Disc
- Aluminum Disc Cup

Specifications:

- Single Pole, Single Throw
- Available in either open or close on temperature rise
- Consult factory for D.C. rating

- General Electrical Ratings
- Resistive: 15A @ 120VAC, 10A @ 240VAC
- Inductive: 3.0FLA-12.0LRA @ 120VAC, 1.5FLA-6.0LRA @ 240VAC
- Pilot Duty: 125VA



RoHS Compliant

For quantities of 100 and up, call for quote.

MOUSER STOCK NO.	Stancor Part No.	Operating Range†		Function††	Differential†††	Price Each		
		°F	°C			1	10	50
		802-STO-60	STO-60			55 to 65	13 to 18	Opens
802-STO-85	STO-85	80 to 90	27 to 32	Opens	15°F 8°C	4.53	4.41	4.30
802-STC-100	STC-100	93 to 107	34 to 42	Closes	30°F 17°C	4.53	4.41	4.30
802-STC-120	STC-120	113 to 127	45 to 53	Closes	30°F 17°C	4.53	4.41	4.30
802-STO-120	STO-120	115 to 125	46 to 52	Opens	30°F 17°C	4.53	4.41	4.30
802-STC-140	STC-140	133 to 147	56 to 64	Closes	30°F 17°C	4.53	4.41	4.30
802-STO-140	STO-140	135 to 145	57 to 63	Opens	30°F 17°C	4.53	4.41	4.30
802-STO-160	STO-160	155 to 165	68 to 74	Opens	30°F 17°C	4.53	4.41	4.30
802-STO-170	STO-170	165 to 175	74 to 79	Opens	30°F 17°C	4.53	4.41	4.30
802-STC-170	STC-170	162 to 178	72 to 81	Closes	30°F 17°C	4.53	4.41	4.30
802-STO-190	STO-190	185 to 195	85 to 91	Opens	30°F 17°C	4.53	4.41	4.30
802-STO-210	STO-210	204 to 216	96 to 102	Opens	30°F 17°C	4.53	4.41	4.30
802-STO-250	STO-250	244 to 256	118 to 124	Opens	30°F 17°C	4.53	4.41	4.30
802-STO-325	STO-325	315 to 335	157 to 169	Opens	50°F 28°C	4.53	4.41	4.30

† Operating Range: Range of temperature at which disc thermostat performs switching function.
 †† Function: Opens - Normally closed circuit - opens within specified temperature range.
 Closes - Normally open circuit - closes within specified temperature range.
 ††† Differential: Temperature drop below operating range minimum necessary for disc to reset.