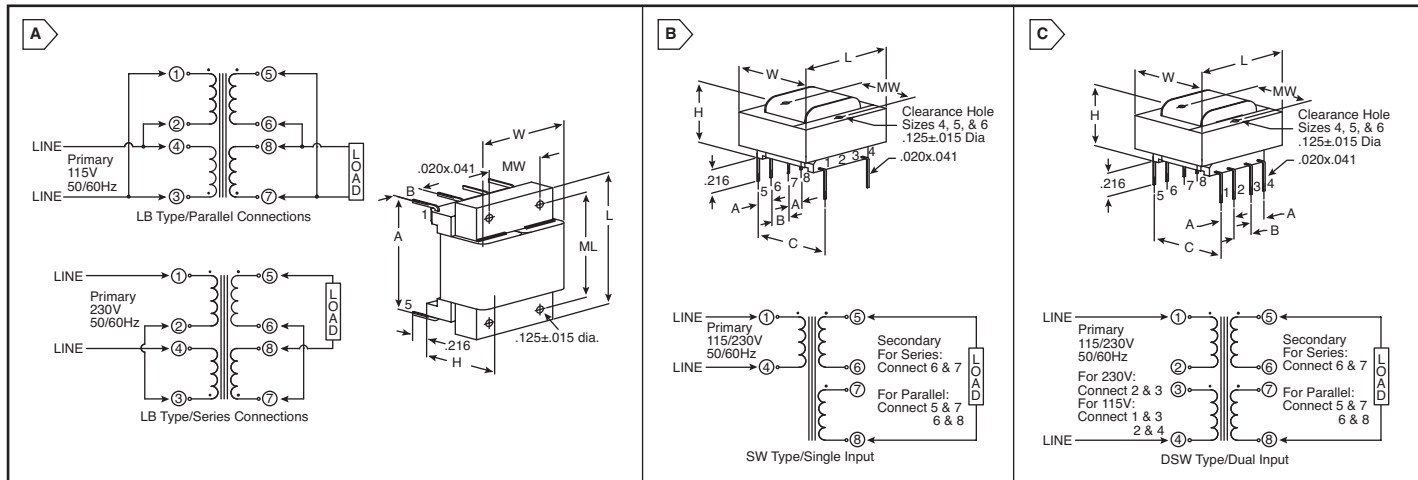


STANCOR Transformers

STANCOR®



STANCOR PC MOUNT TRANSFORMERS

Compact size leaves more room for other components. Non-centrally wound to reduce size and cost. Split bobbin winding and low capacitive coupling design eliminates electrostatic shielding requirement and expense.

“Low Boy” LB Series

- Features:**
- Agency Approvals: UL recognized (File Card E-68100)
 - Construction: Semi-Toroidal - UI Laminations
 - Dual Windings with Split Bobbin (no static shield)
 - PC Pin: Precision spaced to insert directly into printed circuit boards

- Specifications:**
- Input Voltages: 115/230V 50/60Hz
 - Operating Temperature: -40° to +105°C
 - Low Profile - 2,000V RMS Hi-Pot Testing



RoHS Compliant

For quantities of 100 and up, call for quote.

MOUSER STOCK NO.	Stancor Part No.	Fig.	V.A.	Primary Winding	Rated Output			Dimensions: in.						Wt. (lbs.)	Price Each						
					Individual	Series	Parallel	H	W	L	Mounting W	Mounting L	A		B	1	10	50			
					Volts	mA	Volts												mA	Volts	mA
802-LB-620	LB-620	A	6	Dual	---	---	20.0 CT	300	10	600	0.88	1.56	1.88	0.88	1.62	1.60	0.38	0.34	13.77	12.99	11.79
802-LB-1224	LB-1224	A	12	Dual	---	---	24.0 CT	500	12	1000	1.06	2.00	2.50	1.00	2.00	2.00	0.50	0.72	13.00	12.20	11.50

“Side Winder” SW/DSW Series

- Features:**
- Agency Approvals: UL recognized (File Card E-68100), CSA certified (File LR67965), 1.1VA Size - U.L. Class 2 or Class 3 (File E-33334)
 - Construction: EI Laminations Secondaries wound side-by-side, No electrostatic shield required
 - Class B Insulation (130°C)
 - PC Pin: Precision spaced to insert directly into printed circuit boards

- Specifications:**
- Input Voltages: SW = 115/VAC 50/60Hz; DSW = 115/230V 50/60Hz
 - Operating Temperature: -40° to +130°C
 - High Isolation - 2,500V RMS Hi-Pot Testing



RoHS Compliant

For quantities of 100 and up, call for quote.

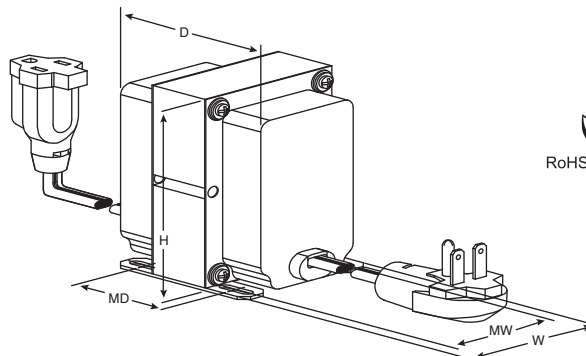
MOUSER STOCK NO.	Stancor Part No.	Fig.	V.A.	Primary Winding	Rated Output			Dimensions: in.						Wt. (lbs.)	Price Each						
					Individual	Series	Parallel	H	W	L	Mounting W	A	B		C	1	10	50			
					Volts	mA	Volts												mA	Volts	mA
802-SW-316	SW-316	B	2.50	Single	8	150	16.0 CT	150	8	300	1.19	1.13	1.38	-	0.25	0.25	1.20	0.25	9.42	8.64	8.01
802-DSW-316	DSW-316	C	2.50	Dual	8	150	16.0 CT	150	8	300	1.19	1.13	1.38	-	0.25	0.25	1.20	0.25	10.00	9.00	8.50
802-SW-616	SW-616	B	20.0	Single	8	1250	16.0 CT	1250	8	2500	1.44	1.88	2.25	1.50	0.30	0.40	1.60	0.80	15.00	14.00	13.50
802-DSW-520	DSW-520	C	12.0	Dual	10	600	20.0 CT	600	10	1200	1.44	1.56	1.88	1.25	0.30	0.40	1.41	0.70	12.76	11.70	10.96

STANCOR AUTO / ISOLATION TRANSFORMERS

Step-down Auto Transformers enable use of U.S.-made equipment in foreign countries. Step-up Auto Transformers enable use of foreign-made equipment in U.S. Isolation Transformers provide isolation for sensitive equipment from line voltage. NEMA standard cord and receptacle for safety. May be operated at 400Hz with no change in output rating. Heavy duty end bells protect users from internal connections.

- Features:**
- Three conductor line cord and receptacle; some items available with leadwires
 - GIS and GISD Series have electrostatic shields connected to case, core, and to third conductor of cord and receptacle
 - EI Laminations
 - Heavy duty welded plate ensures mounting stability

- Specifications:**
- Input Voltages: 115VAC or 230VAC
 - Operating Temperature: -40° to 105°C
 - Power Range: 500-1500VA
 - RMS Test Voltage: 1500



RoHS Compliant

For quantities of 100 and up, call for quote.

MOUSER STOCK NO.	Stancor Part No.	Type	Voltage Step	Input Voltage	Output Voltage	Amps	V.A. Cap.	Dimensions: in.					Wt. (lbs.)	Price Each		
								H	W	D	Mounting W	Mounting D		1	10	50
802-GSD-500	GSD-500	Auto	Down	230	115	4.30	500	4.63	3.81	4.44	3.00	3.19	10.6	102.77	94.43	88.87
802-GSD-750	GSD-750	Auto	Down	230	115	6.50	750	4.63	3.81	5.38	3.00	3.94	14.4	127.93	117.56	110.64
802-GSD-1000	GSD-1000	Auto	Down	230	115	8.70	1000	4.63	3.81	6.06	3.00	4.69	17.0	160.78	149.85	140.33
802-GIS-150	GIS-150	Isolation	Straight	115	115	1.30	150	3.88	3.13	4.19	2.50	2.72	7.0	89.99	82.69	77.83
802-GIS-500	GIS-500	Isolation	Straight	115	115	4.35	500	4.69	3.75	6.00	3.00	4.69	16.0	143.11	130.47	122.06
802-GIS-1000	GIS-1000	Isolation	Straight	115	115	8.70	1000	5.38	4.38	8.13	3.50	6.50	31.0	280.56	255.81	239.31
802-GISD-500	GISD-500	Isolation	Down	230	115	4.35	500	4.69	3.75	6.00	3.00	4.69	16.0	155.41	142.81	134.40
802-GISD-1000	GISD-1000	Isolation	Down	230	115	8.70	1000	5.38	4.38	8.13	3.50	6.50	31.0	256.14	247.60	239.07

Power Transformers