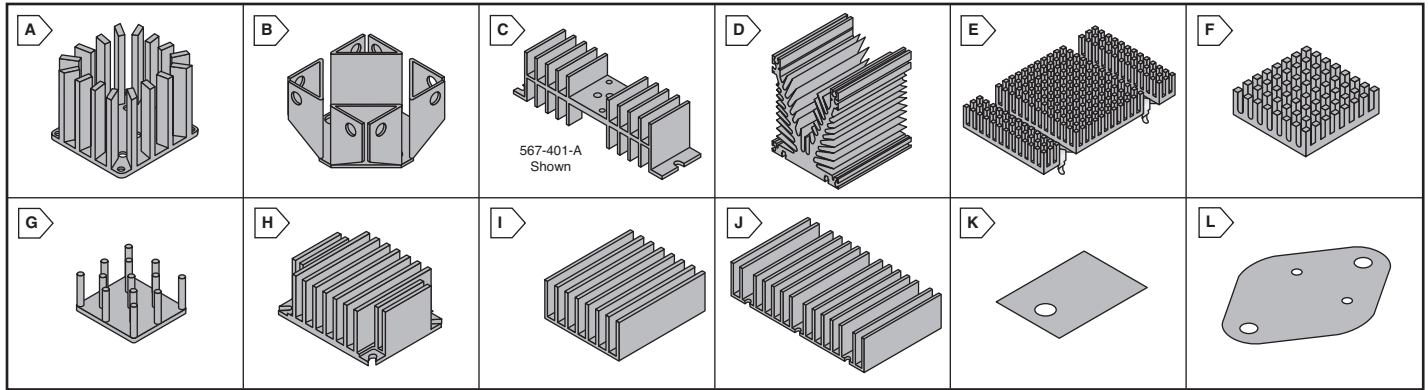


# WAKEFIELD Heat Sinks and Accessories



## POWER HEAT SINKS (CONT.)

\* No semi-mounting hole pattern

For quantities of 500 and up, call for quote.

MOUSER STOCK NO.	Wakefield Part No.	Fig.	Description	Dimensions: in. (mm) L x W x H	Price Each		
					1	10	100
567-680-125A	680-125A	A	TO-3, TO-220 Maximum Efficiency Omnidirectional	1.81 (45.97) x 1.81 (45.97) x 1.25 (31.75)	8.85	8.08	7.68
567-690-3B	690-3B	B	TO-3, TO-66, TO-220 Highest Efficiency/Lowest Unit Cost	1.86(47.2) Sq x 1.31(33.3) Hgt	1.90	1.52	1.29
*567-401-K	401-K	C	TO-3; Stud-Mount Double-Surface	4.75 (120.65) x 1.5 (38.1) x 1.25 (31.75)	11.61	11.03	10.48
567-401-A	401-A	C	TO-3; Stud-Mount Double-Surface, Mounting Hole	4.75 (120.65) x 1.5 (38.1) x 1.25 (31.75)	11.61	11.03	10.48
*567-421-K	421-K	C	TO-3; Stud-Mount Low-Height Double-Surface	4.75 (120.65) x 3.0 (76.2) x 2.62 (66.55)	13.60	12.93	12.28
*567-423-K	423-K	C	TO-3; Stud-Mount Low-Height Double-Surface	4.75 (120.65) x 5.5 (139.7) x 2.62 (66.55)	20.59	19.56	18.58
567-392-180AB	392-180AB	D	High-Performance, Power Modules, IGBT and Solid State Relays	7.09 (180) x 4.92 (124.97) x 5.34 (135.64)	118.00	112.00	106.49

## BGA HEAT SINKS

For quantities of 500 and up, call for quote.

MOUSER STOCK NO.	Wakefield Part No.	Fig.	Description	Dimensions: in. (mm) L x W x H	Price Each		
					1	10	100
567-609-50ABS3	609-50ABS3	E	40mm C4QFP, 21mm CBGA	2.98 (73.41) x 2.0 (50.8) x .5 (12.7)	7.08	6.37	6.02
567-625-25ABT4	625-25ABT4	F	Omnidirectional Pin Fin 25mm	.984 ((24.99) x .984 (24.99) x .25 (6.35)	2.01	1.85	1.76
567-628-40AB	628-40AB	F	IntelDX4™, Intel 80486DX2™, and AM486™DX2, AM486™DX4	1.75 (44.45) x 1.7 (43.18) x .40 (10.16)	2.38	1.90	1.62
567-628-65AB	628-65AB	F	IntelDX4™, Intel 80486DX2™, and AM486™DX2, AM486™DX4	1.75 (44.45) x 1.7 (43.18) x .65 (16.51)	3.20	2.56	2.18
567-658-25AB	658-25AB	F	PowerQuad2™, 28-38mm Omnidirectional Pin Fin, No Tape	1.1 (27.94) x 1.1 (27.94) x .25 (6.35)	1.05	.84	.71
567-658-25ABT1	658-25ABT1	F	PowerQuad2™, 28-38mm Omnidirectional Pin Fin, Chomerics T-405	1.1 (27.94) x 1.1 (27.94) x .25 (6.35)	2.43	1.94	1.65
567-658-25ABT4	658-25ABT4	F	PowerQuad2™, 28-38mm Omnidirectional Pin Fin, Chomerics T-410	1.1 (27.94) x 1.1 (27.94) x .25 (6.35)	2.60	2.08	1.77
567-658-35AB	658-35AB	F	PowerQuad2™, 28-38mm Omnidirectional Pin Fin, No Tape	1.1 (27.94) x 1.1 (27.94) x .35 (8.89)	1.05	.84	.71
567-658-35ABT4	658-35ABT4	F	PowerQuad2™, 28-38mm Omnidirectional Pin Fin, Chomerics T-410	1.1 (27.94) x 1.1 (27.94) x .35 (8.89)	2.60	2.08	1.77
567-658-45AB	658-45AB	F	PowerQuad2™, 28-38mm Omnidirectional Pin Fin, No Tape	1.1 (27.94) x 1.1 (27.94) x .45 (11.43)	1.15	.92	.78
567-658-45ABT4	658-45ABT4	F	PowerQuad2™, 28-38mm Omnidirectional Pin Fin, Chomerics T-410	1.1 (27.94) x 1.1 (27.94) x .45 (11.43)	2.70	2.16	1.84
567-658-60AB	658-60AB	F	PowerQuad2™, 28-38mm Omnidirectional Pin Fin, No Tape	1.1 (27.94) x 1.1 (27.94) x .60 (15.24)	1.33	1.06	.90
567-658-60ABT3	658-60ABT3	F	PowerQuad2™, 28-38mm Omnidirectional Pin Fin, Chomerics T-412	1.1 (27.94) x 1.1 (27.94) x .60 (15.24)	2.75	2.20	1.87
567-D10650-40	D10650-40	G	Pin Fin for 84 - 100 pin PQFP & 169 BGA	.65 (16.51) x .65 (16.51) x .40 (10.16)	1.95	1.40	1.00
567-D10850-40	D10850-40	G	Pin Fin for 128 - 208 Pin PQFP & 313 BGA	.85 (21.59) x .85 (21.59) x .40 (10.16)	2.40	1.75	1.20

## DC/DC CONVERTER HEAT SINKS

• Black Anodize

For quantities of 500 and up, call for quote.

MOUSER STOCK NO.	Wakefield Part No.	Fig.	Description	Dimensions: in. (mm) L x W x H	Price Each		
					1	10	100
567-537-24AB	537-24AB	H	Quarter Brick Horizontal Fin Orientation	1.45 (36.82) x 2.28 (57.91) x .24 (6.1)	3.80	3.04	2.58
567-537-45AB	537-45AB	H	Quarter Brick Horizontal Fin Orientation	1.45 (36.82) x 2.28 (57.91) x .45 (11.43)	5.50	4.40	3.74
567-537-95AB	537-95AB	H	Quarter Brick Horizontal Fin Orientation	1.45 (36.82) x 2.28 (57.91) x .95 (24.13)	6.20	4.96	4.22
567-547-95AB	547-95AB	H	Quarter Brick Vertical Fin Orientation	1.45 (36.82) x 2.28 (57.91) x .95 (24.13)	9.95	7.96	7.16
567-517-95AB	517-95AB	I	Half Brick Horizontal Fin Orientation	2.28 (57.91) x 2.4 (60.96) x .95 (24.13)	4.63	3.70	3.15
567-518-95AB	518-95AB	I	Half Brick Vertical Fin Orientation	2.28 (57.91) x 2.4 (60.96) x .95 (24.13)	4.95	3.96	3.37
567-518-95AB-MS4	518-95AB-MS4	I	Half Brick Vertical Fin Orientation w/HDWR and Deltalink IV Thermal Pad	2.28 (57.91) x 2.4 (60.96) x .95 (24.13)	7.53	6.92	5.88
567-527-45AB	527-45AB	I	Half Brick Horizontal Fin Orientation	2.28 (57.91) x 2.4 (60.96) x .45 (11.43)	3.93	3.14	2.67
567-527-24AB	527-24AB	I	Half Brick Horizontal Fin Orientation	2.28 (57.91) x 2.4 (60.96) x .24 (6.1)	3.25	2.60	2.21
567-528-24AB	528-24AB	I	Half Brick Vertical Fin Orientation	2.28 (57.91) x 2.4 (60.96) x .24 (6.1)	3.60	2.88	2.45
567-528-45AB	528-45AB	I	Half Brick Vertical Fin Orientation	2.28 (57.91) x 2.4 (60.96) x .45 (11.43)	4.28	3.42	2.91
567-557-140AB	557-140AB	J	Full Brick Horizontal Fin Orientation	2.4 (60.96) x 4.6 (116.84) x 1.4 (35.56)	13.50	12.82	12.18
567-558-75AB	558-75AB	J	Full Brick Vertical Fin Orientation	2.4 (60.96) x 4.6 (116.84) x .50 (12.7)	10.95	10.40	9.88

## THERMAL PADS

For quantities of 500 and up, call for quote.

MOUSER STOCK NO.	Wakefield Part No.	Fig.	Description	Dimensions: in. (mm) L x W x H	Price Each		
					1	10	100
567-173-7-220P	173-7-220P	K	TO-220 DeltaPads™ .007" (.18mm) Insulator	.71 (18.03) x .50 (12.7) .141 dia. (3.6 dia.)	.46	.34	.26
567-173-9-240P	173-9-240P	K	TO-220 DeltaPads™ .009" (.23mm) Insulator	.75 (19.05) x .50 (12.7) .147 dia. (3.7 dia.)	.60	.48	.41
567-175-6-220P	175-6-220P	K	TO-220 Kapton® .006" (.15mm) Reinforced Insulator	.71 (18.03) x .50 (12.7) .141 dia. (3.6 dia.)	.32	.29	.27
567-175-6-230P	175-6-230P	K	TO-220 Kapton® .006" (.15mm) Reinforced Insulator	.71 (18.03) x .50 (12.7) .125 dia. (3.2 dia.)	.25	.21	.19
567-175-6-240P	175-6-240P	K	TO-220 Kapton® .006" (.15mm) Reinforced Insulator	.75 (19.05) x .50 (12.7) .147 dia. (3.7 dia.)	.27	.22	.19
567-175-6-280P	175-6-280P	K	TO-220 Kapton® .006" (.15mm) Reinforced Insulator	.86 (21.8) x .74 (18.8) .16 dia. (4.1 dia.)	.40	.32	.27
567-175-6-310P	175-6-310P	L	TO-3 Kapton® .006" (.15mm) Reinforced Insulator	1.59 (40.5) x 1.14 (29.0) .062 dia. (1.6 dia.)	.78	.62	.55

## THERMAL JOINT COMPOUND

• Shelf Life: 5 years



RoHS Compliant

For quantities of 500 and up, call for quote.

MOUSER STOCK NO.	Wakefield Part No.	Description	Price Each		
			1	10	100
567-120-SA	120-SA	Silicon Thermal Grease, 4g plastic pack	4.40	3.52	2.99
567-120-2	120-2	Silicon Thermal Grease, 2oz. jar	8.52	7.67	7.24
567-120-5	120-5	Silicon Thermal Grease, 5oz. tube	23.98	19.18	16.30
567-120-8	120-8	Silicon Thermal Grease, 8oz. jar	27.85	23.95	22.27
567-120-80	120-80	Silicon Thermal Grease, 5lbs. can	142.00	130.64	118.88
567-126-2	126-2	Synthetic Non-Silicon Thermal Grease, 2oz. tube	13.74	12.70	10.99
567-126-4	126-4	Synthetic Non-Silicon Thermal Grease, 4oz. tube	21.02	18.92	17.87

© Copyright 2009 Mouser Electronics

© Copyright 2009 Mouser Electronics