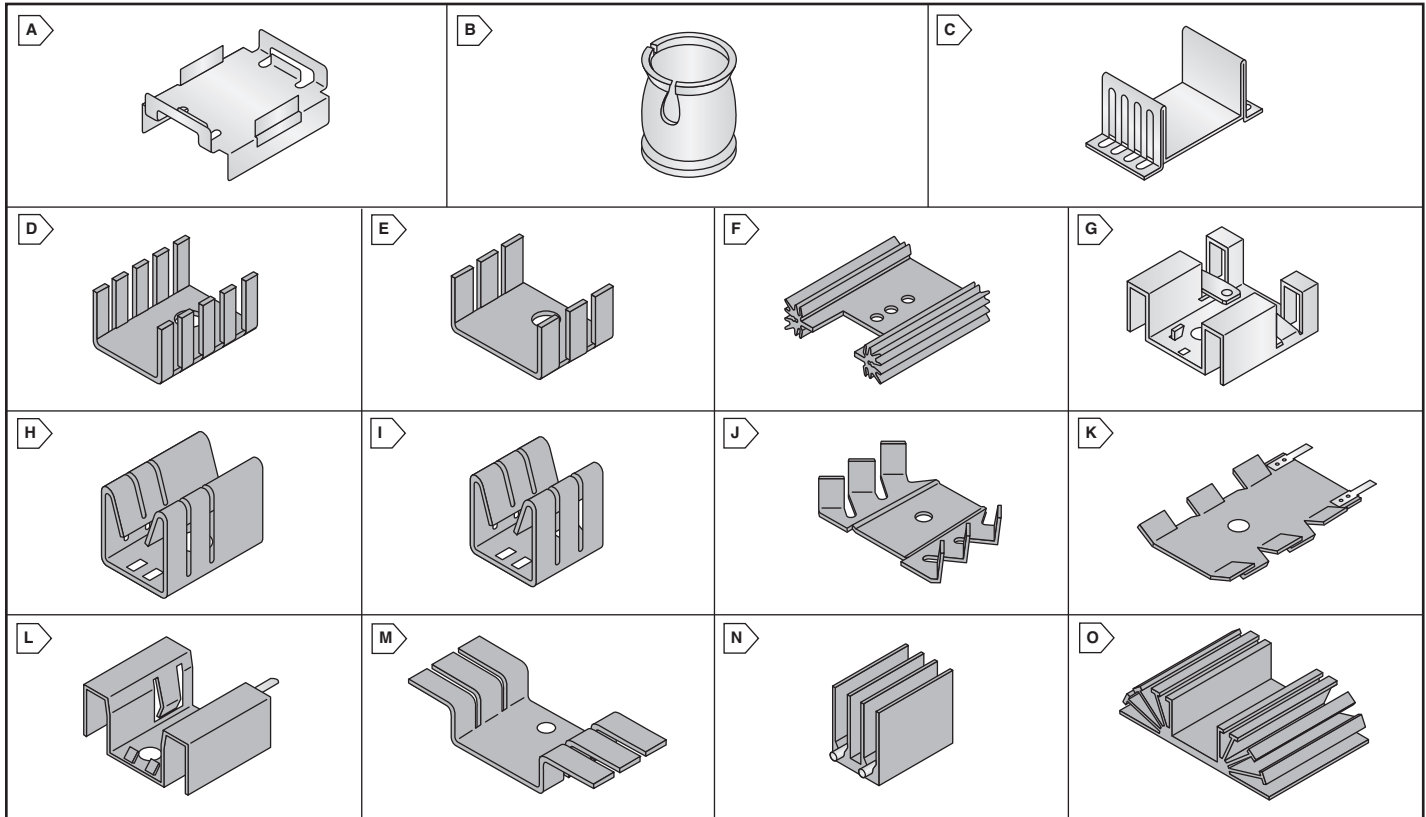


WAKEFIELD Heat Sinks



BOARD LEVEL POWER SEMICONDUCTOR HEAT SINKS

For quantities of 500 and up, call for quote.

| MOUSER STOCK NO. | Wakefield Part No. | Fig. | Description | Package | Natural Convection | Dimensions: in. L x W x H | Price Each | | |
|-------------------|--------------------|------|--|--------------------------------|--------------------|---------------------------|------------|-------|------|
| | | | | | | | 1 | 10 | 100 |
| 567-217-36CT6 | 217-36CT6 | A | Surface Mount 2 | D Pak, TO-220, SOL-20, SOT-223 | 55°C @ 1W | .74 x .60 x .36 | .33 | .31 | .29 |
| 567-260-4T5E | 260-4T5E | B | Cup Clips, Epoxy Insulated | TO-5 | - | .370 x .380 | 11.01 | 10.46 | 9.94 |
| 567-218-40CT3 | 218-40CT3 | C | Surface Mount Device Heat Sink | SMT Devices | 52°C rise @ 2W | .90 x .315 x .40 | .73 | .58 | .49 |
| 567-206-1PABH | 206-1PABH | D | Vertical Mount Heat Sink | TO-220 | 56°C rise @ 4W | 1.0 x .50 x 1.18 | .90 | .72 | .61 |
| 567-240-118ABH-22 | 240-118ABH-22 | D | Labor-Saving Twisted Fin | TO-220 | 55°C @ 4W | 1.0 x .50 x 1.18 | .70 | .56 | .48 |
| 567-273-AB | 273-AB | D | Low-Cost, Low-Height Wavesolderable | TO-218, TO-220 | 49°C @ 2W | .75 x .375 x .75 | .38 | .30 | .26 |
| 567-274-1AB | 274-1AB | D | Low-Cost, Low-Height Wavesolderable | TO-220 | 56°C @ 2W | .52 x .375 x .75 | .25 | .20 | .17 |
| 567-286-DB | 286-DB | D | Vertical Mount Heat Sink | TO-220 | 65°C rise @ 4W | 1.00 x .50 x .95 | 2.20 | 1.98 | 1.88 |
| 567-287-1ABE | 287-1ABE | D | Low-Cost Wave-Solderable | TO-220 | 56°C @ 4W | 1.0 x .50 x 1.18 | 1.08 | .92 | .86 |
| 567-290-1AB | 290-1AB | D | Low-Cost Single Package | TO-218 TO-202 TO-220 | 44°C @ 2W | 1.0 x .50 x 1.18 | .38 | .30 | .26 |
| 567-290-2AB | 290-2AB | D | Low-Cost Dual Package | TO-218 TO-202 TO-220 | 44°C @ 2W | 1.0 x .50 x 1.18 | .38 | .30 | .26 |
| 567-289-AB | 289-AB | E | Low-Cost Single Package | TO-218 TO-202 TO-220 | 506°C @ 2W | 1.0 x .50 x .71 | .28 | .22 | .19 |
| 567-637-10ABP | 637-10ABP | F | High-Efficiency, Vertical Board Mounting | TO-220 | 76°C @ 6W | 1.38 x .50 x 1.0 | 1.20 | 1.14 | 1.08 |
| 567-637-15ABP | 637-15ABP | F | High-Efficiency, Vertical Board Mounting | TO-220 | 65°C @ 6W | 1.38 x .50 x 1.5 | 1.57 | 1.27 | 1.09 |
| 567-637-20ABP | 637-20ABP | F | High-Efficiency, Vertical Board Mounting | TO-220 | 55°C @ 6W | 1.38 x .50 x 2.0 | 1.46 | 1.39 | 1.32 |
| 567-647-10ABP | 647-10ABP | F | High-Performance, Vertical Board Mounting | TO-220 | 42°C @ 6W | 1.65 x 1.0 x 1.0 | 1.39 | 1.31 | 1.28 |
| 567-647-15ABP | 647-15ABP | F | High-Performance, Vertical Board Mounting | TO-220 | 37°C @ 6W | 1.65 x 1.0 x 1.5 | 1.53 | 1.45 | 1.38 |
| 567-657-15ABP | 657-15ABP | F | High-Performance, Vertical Board Mounting | TO-220 | 38°C @ 6W | 1.65 x 1.0 x 1.5 | 1.40 | 1.12 | .95 |
| 567-657-15ABPN | 657-15ABPN | F | High-Performance Notched, Vertical Board Mounting | TO-218 TO-220 TO-247 | 38°C @ 6W | 1.65 x 1.0 x 1.5 | 2.40 | 1.70 | 1.20 |
| 567-657-20ABP | 657-20ABP | F | High-Performance, Vertical Board Mounting | TO-218 TO-220 TO-247 | 32°C @ 6W | 1.65 x 1.0 x 2.0 | 1.85 | 1.50 | 1.29 |
| 567-667-10ABPP | 667-10ABPP | F | 15-Lead High Performance Vertical Board Mounting | TO-218 TO-220 TO-247 | 76°C @ 6W | 1.375 x .50 x 1.0 | 1.71 | 1.62 | 1.54 |
| 567-677-20ABP | 677-20ABP | F | 15-Lead Multiwatt High-Perf., High-Power, Vertical Mount | TO-218 TO-220 TO-247 | 40°C @ 6W | 1.65 x 1.0 x 1.0 | 2.78 | 2.22 | 1.89 |
| 567-235-85AB | 235-85AB | G | Compact, Stress-Free Labor-Saving Locking-Tab | TO-220 | 40°C @ 6W | 1.65 x 1.0 x 2.0 | .65 | .48 | .34 |
| 567-230-75AB | 230-75AB | H | Compact, Wavesolderable Low-Profile Self-Locking | TO-220 | 57°C @ 2W | 1.0 x .50 x .85 | .50 | .40 | .38 |
| 567-233-60AB | 233-60AB | I | Self-Locking Wavesolderable | TO-220 | 58°C @ 2W | .57 x .50 x .75 | .43 | .34 | .29 |
| 567-274-2AB | 274-2AB | J | Low-Cost, Low-Height Wavesolderable | TO-220 | 50°C @ 2W | .75 x .50 x .53 | .25 | .20 | .17 |
| 567-291-H36AB | 291-H36AB | I | Labor-Saving Clip-on | TO-220 | 68°C @ 2W | .80 x .27 x .80 | .50 | .40 | .34 |
| 567-288-1AB | 288-1AB | K | Compact Wave-Solderable Low-Cost | TO-202 TO-220 | 85°C @ 4W | 1.1 x .36 x .86 | .98 | .78 | .66 |
| 567-239-75-AB04 | 239-75-AB04 | L | Snap-Down Self-Locking with Tab | TO-220 | 38°C @ 2W | .875 x .215 x 1.25 | .58 | .48 | .42 |
| 567-270-AB | 270-AB | M | Small Footprint Low-Cost | TO-202 TO-220 | 70°C @ 4W | 1.12 x .435 x .75 | .28 | .22 | .19 |
| 567-272-AB | 272-AB | M | Small Footprint Low-Cost | TO-202 TO-220 | 42°C @ 4W | 1.75 x .375 x .70 | .45 | .36 | .31 |
| 567-271-AB | 271-AB | M | Top-Mount Booster 270/272/280 Series | TO-220 | 62°C @ 4W | 1.75 x .375 x 1.45 | .39 | .32 | .25 |
| 567-634-10ABP | 634-10ABP | N | Slim Profile Unidirectional Fin Vertical Mount | TO-218 TO-220 | - | .64 x .64 x 1.0 | 1.39 | 1.31 | 1.25 |
| 567-641-A | 641-A | O | Maximum Performance, Mounting Holes | TO-3 | 36°C @ 15W | 4.13 x 3.0 x 1.0 | 10.02 | 9.52 | 9.04 |
| 567-641-K | 641-K | O | Maximum Performance Convection | TO-3 | 36°C @ 15W | 4.13 x 3.0 x 1.0 | 10.02 | 9.52 | 9.04 |

