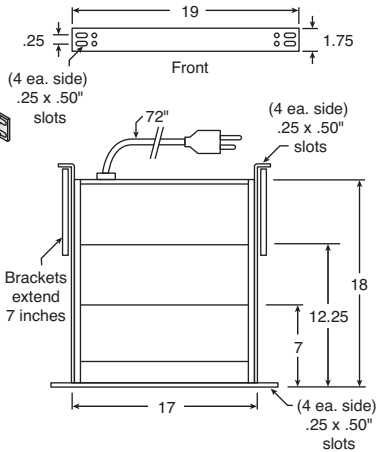
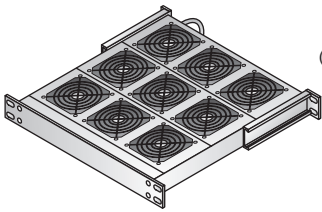


# ORION Fan Trays and Fan Accessories



RoHS Compliant This page of product is compliant.

## THERMALCARE™ FAN TRAY ASSEMBLIES



RoHS Compliant

### Features:

- Life expectancy: 60,000 hour ball bearing fans
- Hardware: E-Z mount clip nuts and hardware to facilitate rapid installation
- Configuration: "Add a module" feature permits the easy addition of up to 6 fans to the basic 3 fan tray should more cooling be required
- Frame: Heavy duty steel construction with extruded aluminum side rails to facilitate changes in fan configuration
- Options: "Short Tray" configurations with dual voltage selector and lighted on/off rocker

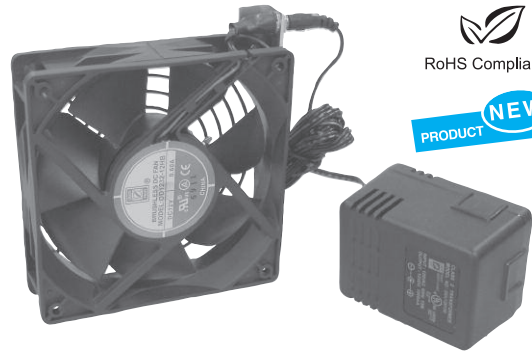
### Factory Drop Ship Only

For quantities 10 and up, call for quote.

MOUSER STOCK NO.	Orion Part No.	Voltage	Air Flow (CFM)	Price Each	
				1	5
670-OA300	OA300	115VAC	330	175.00	150.00
670-OA900	OA900	115VAC	990	375.00	350.00
670-OD30048	OD300-48	48VDC	330	195.00	183.60

ORION FAN Trays are available from factory stock as 3 position, 6 position, or 9 position units. 330CFM = 3 fans installed, 660CFM = 6 fans installed, and 990CFM = 9 fans installed. Ultra quiet fan trays are available with medium or low speed fans substituted for high speed fans (minimums may apply).

## KE177 SPOT COOLER



RoHS Compliant

NEW PRODUCT

Orion Fans Thermally Controlled Spot Cooling Fan was designed as a quick, inexpensive, and convenient solution to hot-spots within cabinet enclosures. The 120mm x 32mm Orion Cooling Fan is supplied with a standard NEMA 5-15P AC plug-in transformer that allows it to be added anywhere within the cabinet without costly redesign or rewiring.

### Specifications:

- Input Power: 19 Watts
- Rated Speed (RPM): 1600 Max. (40C)
- Noise Level: (dB) 47
- Max. Static Pressure: 0.43" H<sub>2</sub>O
- Bearing System: Dual Ball
- Materials: Frame & Impeller PBT, UL94V-O plastic
- Dielectric Strength: 5mA max at 1500VAC for 1 minute between the leadwire and frame
- Operation Temperature -10C ~ +70C
- Life (L10) 60,000 hours

For quantities 25 and up, call for quote.

MOUSER STOCK NO.	Orion Part No.	Voltage	Air Flow (CFM)	Price Each	
				1	10
670-OD1232-SPOT	OD1232-SPOT	120VAC / 60Hz	65 ~ 120 / 25C~40C	36.00	34.23

## FAN CORDS



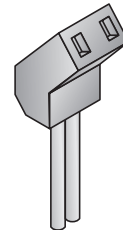
RoHS Compliant

For use with Orion AC/DC fans with terminal type termination.

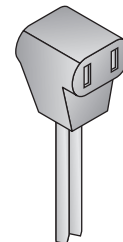
### 45° Single Connector

\* NEMA 1-15P type plug  
For quantities 200 and up, call for quote.

MOUSER STOCK NO.	Orion Part No.	Fig.	Lead Length (in.)	Price Each			
				1	25	50	100
670-C4512	C45-12	A	12	1.34	1.23	1.14	1.07
670-C4524	C45-24	A	24	1.43	1.39	1.34	1.28
* 670-C4524P	C45-24P	A	24	2.63	2.46	2.26	2.07
670-C4536	C45-36	A	36	1.98	1.93	1.83	1.63
670-C4548	C45-48	A	48	1.94	1.88	1.82	1.73
* 670-C4548P	C45-48P	A	48	3.25	3.02	2.78	2.55
* 670-C4560P	C4560P	A	60	2.82	2.74	2.60	2.43
670-C4572	C45-72	A	72	2.45	2.38	2.30	2.19
* 670-C4572P	C45-72P	A	72	3.07	2.92	2.73	2.59
* 670-C45-144P	C45-144P	A	144	4.79	4.65	4.51	4.29



B



### 90° Single Connector

For quantities 200 and up, call for quote.

MOUSER STOCK NO.	Orion Part No.	Fig.	Lead Length (in.)	Price Each			
				1	25	50	100
670-C9024	C90-24	B	24	1.55	1.49	1.43	1.39
670-C9048	C90-48	B	48	2.11	2.03	1.94	1.88
670-C9072	C90-72	B	72	2.66	2.56	2.45	2.38

NEW PRODUCT

### 45° Daisy Chains

- Each head separated by 12" of cord and 24" lead

\*\* Lead length 72" and NEMA 1-15P type plug  
† Lead length 144" and NEMA 1-15P type plug  
For quantities 200 and up, call for quote.

MOUSER STOCK NO.	Orion Part No.	Fig.	Number of Heads	Price Each			
				1	25	50	100
670-C452DC	C45-2DC	C	2	2.45	2.38	2.30	2.19
670-C452DCP	C45-2DCP	C	2 w/plug	3.55	3.41	3.26	3.17
** 670-C45-2DC72P	C45-2DC72P	C	2	5.04	4.54	4.29	3.97
670-C453DC	C45-3DC	C	3	3.47	3.37	3.26	3.10
† 670-C45-3DC-144P	C45-3DC-144P	C	3	9.05	8.88	8.24	8.04
670-C454DC	C45-4DC	C	4	4.88	4.69	4.49	4.36
670-C456DC	C45-6DC	C	6	5.51	5.35	5.18	4.92
670-C459DC	C45-9DC	C	9	6.53	6.34	6.14	5.84

