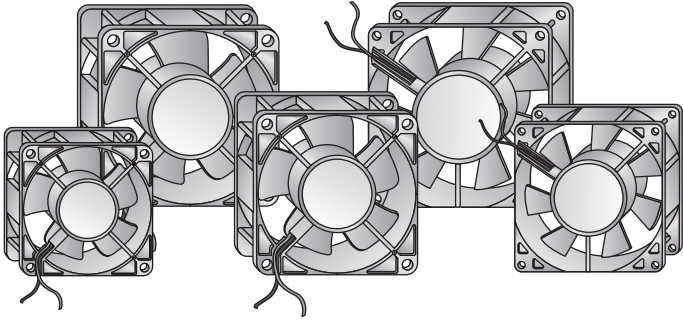


Tubeaxial Fans and Accessories

RoHS Compliant This product is RoHS compliant.



DC BRUSHLESS FANS

Construction:

- Glass fiber reinforced plastic
- Impeller and housing FBT are UL 94V-0 rated

Dielectric Strength:

- 5mA max. / 500VAC 60Hz for 1 minute between frame and terminal

Insulation Resistance:

- 10mΩ min. / 500VDC between frame and terminal

Operating Temperature:

- Ball bearing: -30°C to +75°C
- Sleeve bearing: -10°C to +70°C

40 x 40 x 10mm For quantities of 50 and up, call for quote.

MOUSER STOCK NO.	Volts (DC)	Termination	Bearing	Current (mA)	Power (W)	Air Flow (CFM)	Noise (dBA)	Price Each		
								1	10	25
433-BP401012H	12	12" Leads	Ball	80	0.96	7.70	29	8.00	7.50	7.00
433-SP401012H	12	12" Leads	Sleeve	80	0.96	7.70	29	3.95	3.65	3.35

40 x 40 x 20mm For quantities of 50 and up, call for quote.

MOUSER STOCK NO.	Volts (DC)	Termination	Bearing	Current (mA)	Power (W)	Air Flow (CFM)	Noise (dBA)	Price Each		
								1	10	25
433-BP402005H	5	12" Leads	Ball	250	1.25	7.09	31	8.00	7.50	7.00
433-BP402012M	12	12" Leads	Ball	100	1.20	5.00	23	8.00	7.50	7.00
433-SP402012M	12	12" Leads	Sleeve	100	1.20	5.00	23	3.95	3.65	3.35
433-BP402012H	12	12" Leads	Ball	160	1.92	7.77	31	8.00	7.50	7.00
433-BP402024H	24	12" Leads	Ball	90	2.16	7.77	31	8.00	7.50	7.00
433-SP402024H	24	12" Leads	Sleeve	90	2.16	7.77	31	3.95	3.65	3.35

50 x 50 x 10mm For quantities of 50 and up, call for quote.

MOUSER STOCK NO.	Volts (DC)	Termination	Bearing	Current (mA)	Power (W)	Air Flow (CFM)	Noise (dBA)	Price Each		
								1	10	25
433-BP501012H	12	12" Leads	Ball	160	1.92	12.21	32	8.00	7.50	7.00
433-SP501012H	12	12" Leads	Sleeve	160	1.92	12.21	32	3.95	3.65	3.35

60 x 60 x 15mm For quantities of 50 and up, call for quote.

MOUSER STOCK NO.	Volts (DC)	Termination	Bearing	Current (mA)	Power (W)	Air Flow (CFM)	Noise (dBA)	Price Each		
								1	10	25
433-BP601512M	12	12" Leads	Ball	160	1.92	20.22	30.3	8.00	7.50	7.00
433-BP601512H	12	12" Leads	Ball	180	2.16	23.40	35.3	8.00	7.50	7.00

60 x 60 x 25mm For quantities of 50 and up, call for quote.

MOUSER STOCK NO.	Volts (DC)	Termination	Bearing	Current (mA)	Power (W)	Air Flow (CFM)	Noise (dBA)	Price Each		
								1	10	25
433-BP602512L	12	12" Leads	Ball	90	1.08	12.80	23	8.00	7.50	7.00
433-BP602512M	12	12" Leads	Ball	110	1.32	16.70	25	8.00	7.50	7.00
433-BP602512H	12	12" Leads	Ball	130	1.56	19.50	30	8.00	7.50	7.00
433-BP602524L	24	12" Leads	Ball	80	1.92	12.80	23	8.00	7.50	7.00
433-BP602524M	24	12" Leads	Ball	100	2.4	16.70	25	8.00	7.50	7.00
433-BP602524H	24	12" Leads	Ball	120	2.88	19.50	30	8.00	7.50	7.00

80 x 80 x 25mm For quantities of 50 and up, call for quote.

MOUSER STOCK NO.	Volts (DC)	Termination	Bearing	Current (mA)	Power (W)	Air Flow (CFM)	Noise (dBA)	Price Each		
								1	10	25
433-BP802512L	12	12" Leads	Ball	120	1.44	27.8	25	8.00	7.50	7.00
433-BP802512M	12	12" Leads	Ball	160	1.92	33.0	29	8.00	7.50	7.00
433-SP802512M	12	12" Leads	Sleeve	160	1.92	33.0	29	3.95	3.65	3.35
433-BP802512H	12	12" Leads	Ball	200	2.4	38.0	34	8.00	7.50	7.00
433-BP802524L	24	12" Leads	Ball	90	2.16	27.8	25	8.00	7.50	7.00
433-BP802524M	24	12" Leads	Ball	110	2.64	33.0	29	8.00	7.50	7.00
433-BP802524H	24	12" Leads	Ball	130	3.12	38.0	34	8.00	7.50	7.00

92 x 92 x 25mm For quantities of 50 and up, call for quote.

MOUSER STOCK NO.	Volts (DC)	Termination	Bearing	Current (mA)	Power (W)	Air Flow (CFM)	Noise (dBA)	Price Each		
								1	10	25
433-BP922512L	12	12" Leads	Ball	160	1.92	41.5	28	8.50	8.00	7.50
433-BP922512M	12	12" Leads	Ball	200	2.4	50.5	34	8.50	8.00	7.50
433-BP922512H	12	12" Leads	Ball	320	3.84	58.7	38	8.50	8.00	7.50
433-BP922524H	24	12" Leads	Ball	180	4.32	58.7	38	8.50	8.00	7.50

120 x 120 x 25mm For quantities of 50 and up, call for quote.

MOUSER STOCK NO.	Volts (DC)	Termination	Bearing	Current (mA)	Power (W)	Air Flow (CFM)	Noise (dBA)	Price Each		
								1	10	25
433-BP1202512L	12	12" Leads	Ball	140	1.68	61.4	38	12.50	11.50	10.50
433-BP1202512M	12	12" Leads	Ball	250	3.0	74.5	44	12.50	11.50	10.50
433-BP1202512H	12	12" Leads	Ball	360	4.32	88.3	48	12.50	11.50	10.50
433-BP1202524M	24	12" Leads	Ball	180	4.32	74.5	44	12.50	11.50	10.50
433-BP1202524H	24	12" Leads	Ball	240	5.76	88.3	48	12.50	11.50	10.50

AC TUBEAXIAL FANS

Construction:

- Die-cast aluminum housing
- Shaded pole motor
- Impedance protected
- Metal impeller

Operating Temperature:

- Ball bearing: -30°C to +75°C
- Sleeve bearing: -10°C to +70°C

80 x 80 x 38mm For quantities of 50 and up, call for quote.

MOUSER STOCK NO.	Volts (AC)	Termination	Bearing	Current (mA)	Power (W)	Air Flow (CFM)	Noise (dBA)	Price Each		
								1	10	25
433-3E-115B-20	115	12" Leads	Ball	110	9	21	26	15.15	14.54	13.94
433-3E-115B-25	115	12" Leads	Ball	120	9	26	31	15.15	14.54	13.94
433-3E-115B	115	12" Leads	Ball	130	10	32	34	15.15	14.54	13.94
433-3E-115S	115	12" Leads	Sleeve	130	10	32	34	12.25	11.76	11.27
433-3E-230B	230	12" Leads	Ball	75	12	32	34	15.15	14.54	13.94

92 x 92 x 25mm For quantities of 50 and up, call for quote.

MOUSER STOCK NO.	Volts (AC)	Termination	Bearing	Current (mA)	Power (W)	Air Flow (CFM)	Noise (dBA)	Price Each		
								1	10	25
433-9P-115HB	115	Fastons	Ball	140	14	34	41	12.50	12.00	11.50
433-9P-230HB	230	Fastons	Ball	70	14	34	41	13.00	12.50	12.00

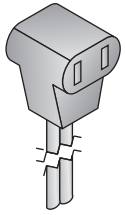
119 x 119 x 38mm For quantities of 50 and up, call for quote.

MOUSER STOCK NO.	Volts (AC)	Termination	Bearing	Current (mA)	Power (W)	Air Flow (CFM)	Noise (dBA)	Price Each		
								1	10	25
433-4E-115B-17	115	12" Leads	Ball	200	19	55	35	15.15	14.54	13.94
433-4E-115B-25	115	12" Leads	Ball	230	21	78	42	15.15	14.54	13.94
433-4E-115B-L	115	12" Leads	Ball	240	22	105	50	15.15	14.54	13.94
433-4E-115S	115	12" Leads	Sleeve	240	22	105	50	12.25	11.76	11.27
433-4E-115B-17F	115	Fastons	Ball	200	19	55	35	15.15	14.54	13.94
433-4E-115B-21F	115	Fastons	Ball	220	20	65	38	15.15	14.54	13.94
433-4E-230B	230	Fastons	Ball	130	21	96	50	15.15	14.54	13.94

FAN POWER CORDS

Can be used with all AC fans using .110" x .020" faston standard terminals with .3125" spacing.

Temperature rating: 105°C (max.)



For quantities of 200 and up, call for quote.

MOUSER STOCK NO.	Qualtek Part No.	Type	Length (in.)	Price Each			
				1	25	50	100
562-07199-12	07199-12	T-Plug	12	1.01	.91	.84	.76
562-07199-24	07199-24	T-Plug	24	1.16	1.05	.98	.90
562-07199-36	07199-36	T-Plug	36	1.28	1.16	1.03	.96
562-07199-72	07199-72	T-Plug	72	2.85	2.39	2.16	1.88

© Copyright 2009 Mouser Electronics