

# SERPAC Enclosures



## SERPAC S - SERIES

### Features:

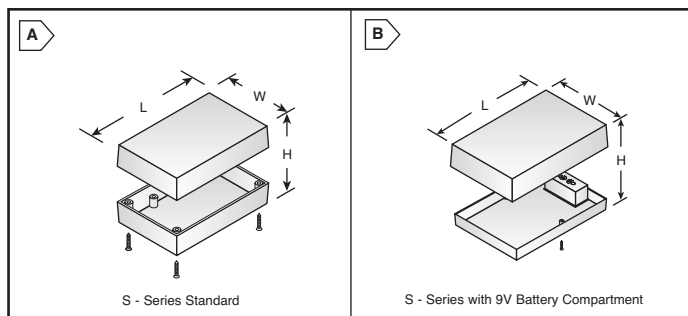
- Hi-Impact ABS plastic
- Custom colors, machining, molding, and pad printing available
- "I" version has a .015" smooth depression on top for printing or flush membrane/ label surface
- Wall mount options available on select models. Contact a Mouser Service Representative
- UL 94 HB flammability rating
- Two-piece standard design
- Circuit board mounting bosses

There are 3 colors available, replace the ( ) in the part number with:

**A** for Almond or **B** for Black or **G** for Gray

For quantities of 50 and up, call for quote.

MOUSER STOCK NO.	Serpac Part No.	MOUSER STOCK NO.	Serpac Part No.	Fig.	Dimensions: in.			Price Each		
					L	W	H	1	10	25
<b>Standard</b>										
<b>With Recessed Top</b>										
635-021-	021-	635-021-I-	021-I-	A	4.10	2.60	.90	4.90	4.47	4.05
635-031-	031-	635-031-I-	031-I-	A	4.38	3.25	.91	4.79	3.76	3.42
635-032-	032-	---	---	A	4.38	3.25	1.41	6.37	5.80	5.28
635-033-	033-	635-033-I-	033-I-	A	4.38	3.25	1.91	6.84	6.22	5.64
635-051-	051-	635-051-I-	051-I-	A	5.63	3.25	.91	6.81	6.20	5.62
635-052-	052-	---	---	A	5.63	3.25	1.41	5.94	4.67	4.25
635-053-	053-	635-053-I-	053-I-	A	5.63	3.26	1.91	8.00	7.24	6.60
635-071-	071-	635-071-I-	071-I-	A	6.88	4.88	.91	8.69	7.01	5.97
635-072-	072-	635-072-I-	072-I-	A	6.88	4.88	1.41	11.47	10.45	9.48
635-073-	073-	635-073-I-	073-I-	A	6.88	4.88	1.91	11.72	10.69	9.70
635-091-	091-	635-091-I-	091-I-	A	9.50	6.34	.91	15.76	14.36	13.01
635-092-	092-	635-092-I-	092-I-	A	9.50	6.34	1.41	16.27	15.73	14.52
635-093-	093-	635-093-I-	093-I-	A	9.50	6.34	1.91	16.88	15.31	13.94
---	---	635-110-I-	110-I-	A	3.63	2.27	1.01	13.13	10.31	9.38
635-111-	111-	635-111-I-	111-I-	A	3.61	2.27	1.51	4.05	3.18	2.90
635-112-	112-	---	---	A	3.61	2.27	2.01	5.19	4.72	4.28
635-113-	113-	---	---	A	3.61	2.27	2.51	5.46	4.97	4.51
635-131-	131-	635-131-I-	131-I-	A	4.38	3.25	1.51	5.21	4.09	3.72
635-132-	132-	---	---	A	4.38	3.25	2.01	6.84	6.23	5.64
635-133-	133-	635-133-I-	133-I-	A	4.38	3.25	2.51	5.86	4.60	4.19
635-151-	151-	635-151-I-	151-I-	A	5.63	3.25	1.51	6.05	4.75	4.32
635-152-	152-	---	---	A	5.63	3.26	2.01	7.88	7.18	6.51
635-153-	153-	635-153-I-	153-I-	A	5.63	3.25	2.51	7.87	6.40	5.41
635-171-	171-	635-171-I-	171-I-	A	6.88	4.88	1.51	8.76	6.88	6.26
635-172-	172-	635-172-I-	172-I-	A	6.88	4.88	2.01	8.36	6.57	5.97
635-173-	173-	635-173-I-	173-I-	A	6.88	4.88	2.51	9.87	7.76	7.05
635-182-	182-	635-182-I-	182-I-	A	14.21	4.88	2.01	19.05	17.35	15.72
635-191-	191-	635-191-I-	191-I-	A	9.50	6.34	1.51	13.52	10.38	9.44
635-192-	192-	635-192-I-	192-I-	A	9.50	6.34	2.01	17.42	16.77	15.48
635-193-	193-	635-193-I-	193-I-	A	9.50	6.34	2.51	13.94	10.96	9.96



For quantities of 50 and up, call for quote.

MOUSER STOCK NO.	Serpac Part No.	MOUSER STOCK NO.	Serpac Part No.	Fig.	Dimensions: in.			Price Each		
					L	W	H	1	10	25
<b>W/ 9V Batt. Compartment</b>										
<b>With Recessed Top</b>										
635-231-	231-	635-231-I-	231-I-	B	4.38	3.25	1.51	6.11	4.80	4.37
635-232-	232-	---	---	B	4.38	3.25	2.01	6.49	5.10	4.64
635-233-	233-	635-233-I-	233-I-	B	4.38	3.25	2.51	8.43	7.69	6.98
635-251-	251-	635-251-I-	251-I-	B	5.63	3.25	1.51	9.42	8.56	7.80
635-252-	252-	---	---	B	5.63	3.25	2.01	8.04	6.32	5.75
635-253-	253-	635-253-I-	253-I-	B	5.63	3.25	2.51	10.57	9.62	8.74
635-271-	271-	635-271-I-	271-I-	B	6.88	4.88	1.51	12.79	11.64	10.59
635-272-	272-	635-272-I-	272-I-	B	6.88	4.88	2.01	10.79	8.48	7.71
635-273-	273-	635-273-I-	273-I-	B	6.88	4.88	2.51	14.02	12.71	11.56

## SERPAC SL - SERIES

### Features:

- Hi-Impact ABS plastic
- UL 94 HB flammability rating
- Custom colors, machining, molding, and pad printing available
- Two-piece design with slanted top
- Recessed top for label
- Circuit board mounting bosses
- Wall mount options available on select models; contact a Mouser Service Representative

There are 3 colors available, replace the ( ) in the part number with:

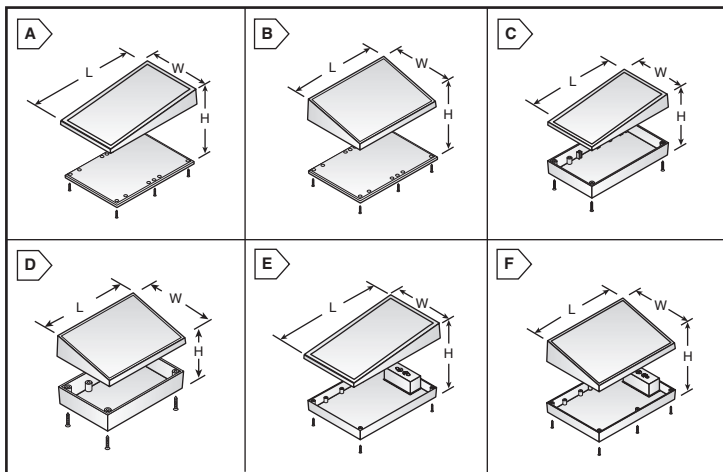
**A** for Almond or **B** for Black or **G** for Gray

For quantities of 50 and up, call for quote.

MOUSER STOCK NO.	Serpac Part No.	Fig.	Dimensions: in.			Price Each		
			L	W	H	1	10	25
635-05-S-	05-S-	A	5.63	3.25	0.91	6.81	6.20	5.62
635-07-S-	07-S-	B	6.88	4.88	1.88	8.04	6.32	5.75
635-15-S-	15-S-	C	5.63	3.25	1.51	6.05	4.75	4.32
635-17-S-	17S-S-	D	6.88	4.88	2.49	8.32	6.53	5.94

### With 9V Battery Compartment

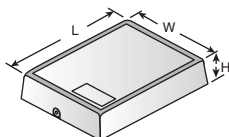
635-25-S-	25-S-	E	5.63	3.25	1.52	7.52	5.91	5.37
635-27-S-	27-S-	F	6.88	4.88	2.49	10.06	7.90	7.19



## SERPAC G - SERIES WALL MOUNT APPLICATIONS

### Features:

- Hi-Impact ABS plastic
- UL 94 HB flammability rating
- Custom colors, machining, molding, and pad printing available
- Two-piece design
- Fits standard gang boxes
- Circuit board mounting bosses
- Color: Almond



For quantities of 50 and up, call for quote.

MOUSER STOCK NO.	Serpac Part No.	Dimensions: in.			Price Each		
		L	W	H	1	10	25
635-G-10-A	G-10-A	4.38	3.25	.89	7.05	6.40	5.80
<b>With Drilled Hole for LED and Recessed Area for Label</b>							
635-G-10A-A	G-10A-A	4.38	3.25	.89	7.05	6.40	5.80

## SERPAC ENCLOSURE ACCESSORIES

For quantities of 500 and up, call for quote.

MOUSER STOCK NO.	Serpac Part No.	Description	Price Each			
			1	10	25	50
635-50	50	Black press-in feet	.60	.31	.22	.19
635-51	51	Black stick-on feet	.38	.30	.28	.20
635-52	52	Clear stick-on feet	.38	.30	.28	.20
635-60	60	Standoff holes	.76	.38	.38	.35
635-61	61	Standoff posts	.67	.34	.34	.32

### Waterproof Gaskets

For quantities of 100 and up, call for quote.

MOUSER STOCK NO.	Serpac Part No.	For S- and SL- Series Enclosures	Price Each		
			1	10	50
635-PS-11	PS-11	111,112,113	5.21	2.60	2.20
635-PS-13	PS-13	131,132,133	5.85	2.92	2.46
635-PS-15	PS-15	151,152,153,15-S	7.47	4.65	4.12
635-PS-17	PS-17	171,172,173,17-S	7.21	3.89	3.28
635-PS-19	PS-19	191, 192, 193	7.78	4.01	3.38