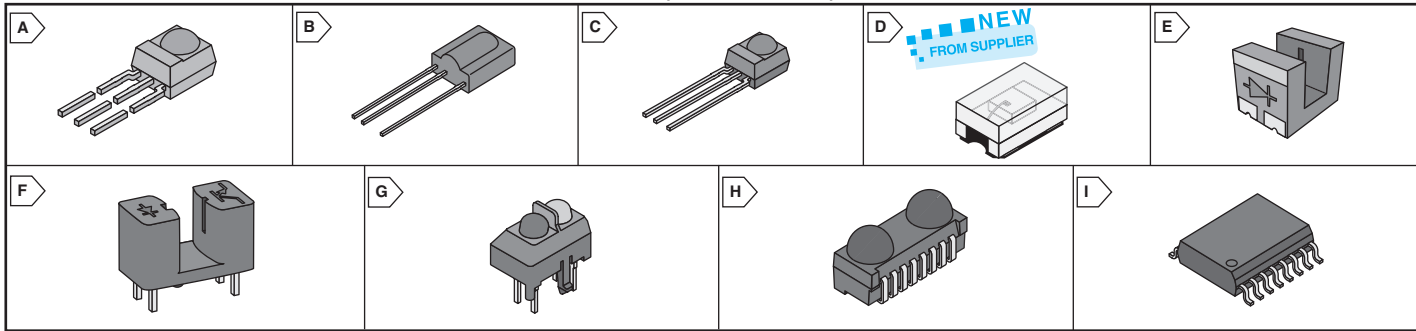


VISHAY Opto Components

RoHS Compliant This product is RoHS compliant.



RECEIVERS (CONT.)

For quantities of 2000 and up, call for quote.

MOUSER STOCK NO.		Fig.	Supply Voltage (V)	Supply Current (Typ.)(mA)	Carrier Frequency (kHz)	Trans. Dist. (m)	Cont. Data Trans.	Power Consumption (mW)	Directivity (°)	Burst Length Cycles/Burst	Price Each					
Mfr.	Mfr. Part No.										1	100	500	1000		
Thru-Hole																
	782-TSOP32136	A	2.7 to 5.5	1.2	36.0	35.0	4000 bits/sec	30.0	±45	⇒6	1.25	1.00	.82	.72		
	782-TSOP32138	A	2.7 to 5.5	1.2	38.0	35.0	4000 bits/sec	30.0	±45	⇒6	1.25	1.00	.82	.72		
	782-TSOP32156	A	2.7 to 5.5	1.2	56.0	35.0	4000 bits/sec	30.0	±45	⇒6	1.25	1.00	.82	.72		
	782-TSOP34136	A	2.7 to 5.5	1.2	36.0	35.0	4000 bits/sec	30.0	±45	⇒6	1.25	1.00	.82	.72		
	782-TSOP34138	A	2.7 to 5.5	1.2	38.0	35.0	4000 bits/sec	30.0	±45	⇒6	1.19	1.00	.82	.72		
	782-TSOP34156	A	2.7 to 5.5	1.2	56.0	35.0	4000 bits/sec	30.0	±45	⇒6	1.25	1.00	.82	.72		
	782-TSOP32236	A	2.7 to 5.5	1.2	36.0	35.0	800 bits/sec	30.0	±45	⇒10	1.20	.96	.79	.70		
	782-TSOP32238	A	2.7 to 5.5	1.2	38.0	35.0	800 bits/sec	30.0	±45	⇒10	1.20	.96	.79	.70		
	782-TSOP32256	A	2.7 to 5.5	1.2	56.0	35.0	800 bits/sec	30.0	±45	⇒10	1.14	.95	.79	.648		
	782-TSOP34836	A	2.7 to 5.5	1.2	36.0	35.0	800 bits/sec	30.0	±45	⇒10	1.14	.95	.79	.648		
	782-TSOP34838	A	2.7 to 5.5	1.2	38.0	35.0	800 bits/sec	30.0	±45	⇒10	1.14	.95	.79	.70		
	782-TSOP34856	A	2.7 to 5.5	1.2	56.0	35.0	800 bits/sec	30.0	±45	⇒10	1.20	.96	.79	.70		
	782-TSOP1136	B	4.5 to 5.5	1.2	36.0	35.0	4000 bits/sec	50.0	±45	⇒6	1.15	.92	.76	.661		
	782-TSOP1138	B	4.5 to 5.5	1.2	38.0	35.0	4000 bits/sec	50.0	±45	⇒6	1.11	.93	.77	.67		
	782-TSOP1156	B	4.5 to 5.5	1.2	56.0	35.0	4000 bits/sec	50.0	±45	⇒6	1.11	.93	.77	.67		
	782-TSOP2136	C	4.5 to 5.5	1.2	36.0	35.0	4000 bits/sec	50.0	±45	⇒6	1.11	.93	.77	.67		
	782-TSOP2138	C	4.5 to 5.5	1.2	38.0	35.0	4000 bits/sec	50.0	±45	⇒6	1.11	.93	.77	.67		
	782-TSOP2156	C	4.5 to 5.5	1.2	56.0	35.0	4000 bits/sec	50.0	±45	⇒6	1.11	.93	.77	.67		
	782-TSOP4136	C	4.5 to 5.5	1.2	36.0	35.0	4000 bits/sec	50.0	±45	⇒6	1.16	.93	.77	.67		
	782-TSOP4138	C	4.5 to 5.5	1.2	38.0	35.0	4000 bits/sec	50.0	±45	⇒6	1.16	.93	.77	.67		
	782-TSOP4156	C	4.5 to 5.5	1.2	56.0	35.0	4000 bits/sec	50.0	±45	⇒6	1.16	.93	.77	.67		
	782-TSOP1236	B	4.5 to 5.5	0.6	36.0	35.0	800 bits/sec	50.0	±45	⇒10	1.10	.88	.73	.64		
	782-TSOP2236	C	4.5 to 5.5	1.2	36.0	35.0	800 bits/sec	50.0	±45	⇒10	1.05	.88	.73	.635		
	782-TSOP2238	C	4.5 to 5.5	1.2	38.0	35.0	800 bits/sec	50.0	±45	⇒10	1.05	.88	.73	.635		
	782-TSOP2256	C	4.5 to 5.5	1.2	56.0	35.0	800 bits/sec	50.0	±45	⇒10	1.05	.88	.73	.635		
	782-TSOP4830	C	4.5 to 5.5	1.1	36.0	35.0	800 bits/sec	50.0	±45	⇒10	1.10	.88	.73	.64		
	782-TSOP4836	C	4.5 to 5.5	1.1	36.0	35.0	800 bits/sec	50.0	±45	⇒10	1.10	.88	.73	.64		
	782-TSOP4838	C	4.5 to 5.5	1.1	38.0	35.0	800 bits/sec	50.0	±45	⇒10	.95	.76	.63	.55		
	782-TSOP4840	C	4.5 to 5.5	1.1	40.0	35.0	800 bits/sec	50.0	±45	⇒10	1.05	.88	.72	.595		
	782-TSOP4856	C	4.5 to 5.5	1.1	56.0	35.0	800 bits/sec	50.0	±45	⇒10	1.10	.88	.73	.64		

AMBIENT LIGHT SENSOR

For quantities of 2000 and up, call for quote.

MOUSER STOCK NO.		Fig.	V _{BR}		Angle of Half Intensity (°)	Reverse Dark Current (max.)(μA)	Reverse Light Current (typ.)(μA)	Peak Emission Wavelength (nm)	Diode Capacitance (V _R =0 (pF)	Rise/Fall Times (typ.)(ns)	Price Each					
Mfr.	Mfr. Part No.		(V) (min)	@ IR (μA)							1	100	500	1000		
Surface Mount																
	782-TEMD6200FX01	D	16	100	±60	5	0.04	540	60	150/150	.79	.63	.52	.46		

SENSORS

For quantities of 2000 and up, call for quote.

MOUSER STOCK NO.		Fig.	V _{CEO}		Forward Voltage (typ.)(V)	Reverse Current (max.)(uA)	Resolution (mm)	Aperture (mm)	Dist./Gap (mm)	Rise/Fall Times (typ.)(us)	Price Each					
Mfr.	Mfr. Part No.		(V) (min)	@ IC (mA)							1	100	500	1000		
Surface Mount																
	782-TCPT1300	E	20	1	1.2	10.0	----	0.3	3.0	20/30	1.24	.99	.82	.671		
Thru-Hole																
	782-TCST1230	F	70	1	1.25	----	0.4	0.5	3.0	15/10	.74	.59	.489	.427		
	782-TCRT5000	G	70	1	1.25	----	----	----	12.0	----	.76	.61	.50	.44		

IrDA - TRANSCEIVERS

For quantities of 2000 and up, call for quote.

MOUSER STOCK NO.		Fig.	Type	Operating Voltage (V)	Input Current (mA)	Data Rate (min/max) (kbits/s)	Transmit Distance (m)	Logic Voltage (V)	Output Sink Current (mA)	Power Dissipation (max)(mW)	Price Each					
Mfr.	Mfr. Part No.										1	100	500	1000		
Surface Mount																
	782-TFDU4101	H	Serial	2.4 to 5.5	10	2.4/115.2	0 to 1.0	Vlog=VCC	25.0	250.0	4.50	3.77	3.11	2.50		
	782-TFDU4300	H	Serial	2.4 to 5.5	10	2.4/115.2	0 to 0.7	Vlog⇒ 1.5V	25.0	250.0	3.65	2.92	2.41	2.12		
	782-TFDU6103	H	Fast	2.7 to 5.5	10	-----/4000	0 to 1.0	Vlog=VCC	25.0	500.0	3.65	3.06	2.52	2.03		

IrDA - ENCODER/DECODER

The TOIM4232 Endec IC provides proper pulse shaping for the SIR IrDA front end infrared transceivers as of the 4000-series. For transmitting the TOIM4232 shortens the RS232 output signal to IrDA compatible electrical pulses to drive the infrared transmitter. In the receive mode the TOIM4232 stretches the received infrared pulse to the proper bit width depending on the operating bit rate. The IrDA bit rate varies from 2.4 kbit/s to 115.2 kbit/s. The TOIM4232 is using a crystal clock 3.6864 MHz for its pulse stretching and shortening. The clock can be generated by the internal oscillator. An external oscillator can be used too. The TOIM4232 is programmable to operate from 1200 bit/s to 115.2 kbit/s by the communication software through the RS232 port. The output pulses are software programmable as either 1,627 us or 3/16 of bit time. The typical power consumption is very low with about 10 mW in operational state and in the order of a few microwatts in standby mode.

For quantities of 2000 and up, call for quote.

MOUSER STOCK NO.		Fig.	Type	Operating Voltage (V)	Input Voltage (High/Low) (Typ) (V)	Output Voltage (High/Low) (Min/Max) (V)	Data Rate (Min/Max) (kbits/s)	Consumption Current Standby (Max) (nA)	Consumption Current Dynamic (Typ) (mA)	Price Each						
Mfr.	Mfr. Part No.									1	100	500	1000			
Surface Mount																
	782-TOIM4232	I	Serial	2.7 to 3.6	1.7/1.1	2.0/0.4	2.4/115.2	1.0	2.0	6.65	5.16	4.54	3.44			