

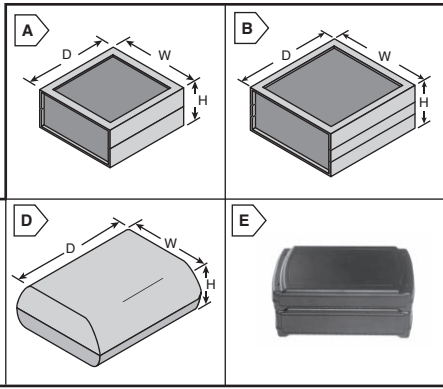
BUD Plastic Enclosures



BUD PLASTICASE™

- UL94-HB flammability rating
- Impact resistant Polystyrene
- Molded-in card guides and mounting bosses
- Comes complete with stainless steel screws and rubber feet
- Finish: Double-Textured PC Bone Gray

Contact a Mouser Service Representative for custom modification.



For quantities of 250 and up, call for quote.

MOUSER STOCK NO.	Bud Part No.	Fig.	Dimensions: in.			Panel Size (in.) H x W	Price Each			
			D	W	H		1	5	10	25
563-PC-11402	PC-11402	A	5.30	5.08	1.53	1.31 x 4.75	14.60	12.20	10.97	10.88
563-PC-11403	PC-11403	A	5.30	7.06	1.53	1.31 x 6.73	18.00	15.00	13.62	13.42
563-PC-11404	PC-11404	A	9.62	6.33	1.55	1.33 x 5.99	21.60	17.99	16.19	16.10
563-PC-11406	PC-11406	A	6.32	6.12	2.52	2.31 x 5.75	18.70	15.60	14.04	13.94
563-PC-11408	PC-11408	A	6.32	8.10	2.52	2.31 x 7.75	22.40	18.70	16.82	16.70
563-PC-11410	PC-11410	B	6.32	6.12	3.30	3.09 x 5.75	23.10	19.30	17.37	17.22
563-PC-11412	PC-11412	B	6.32	8.10	3.30	3.09 x 7.75	26.70	22.30	20.07	19.90
563-PC-11414	PC-11414	B	6.32	6.12	4.04	3.83 x 5.75	24.30	20.29	18.27	18.11
563-PC-11416	PC-11416	B	6.32	8.10	4.04	3.83 x 7.75	28.40	23.70	21.32	21.17
563-PC-11418	PC-11418	B	5.30	5.08	2.06	1.84 x 4.75	16.80	14.00	13.30	12.60
563-PC-11420	PC-11420	B	5.30	7.06	2.06	1.84 x 6.73	20.00	16.70	15.87	15.05
563-PC-11475	PC-11475	C	4.13	1.61	1.00	-----	3.90	3.26	3.10	2.94
563-PC-11476	PC-11476	C	5.12	3.00	1.18	-----	5.10	4.26	4.05	3.85
563-PC-11477	PC-11477	C	6.10	3.62	1.16	-----	5.80	4.84	4.61	4.38
563-PC-11478	PC-11478	C	7.87	4.76	1.57	-----	7.00	5.84	5.56	5.28
563-PC-11535	PC-11535	D	5.00	3.80	1.50	----	10.85	9.00	8.84	8.10
563-PC-11555	PC-11555	D	5.50	5.25	1.63	---	12.70	10.60	9.55	9.02
563-PC-11565	PC-11565	D	6.75	6.25	1.63	---	13.90	11.60	11.02	10.44
563-PC-11640	PC-11640	E	9.18	5.25	1.68	---	13.30	11.09	10.54	10.00
563-PC-11645	PC-11645	E	9.18	5.25	2.36	---	13.70	11.45	10.87	10.30

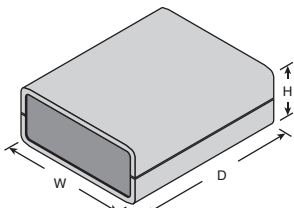
For quantities of 250 and up, call for quote.

BUD PI SERIES

This line of molded enclosures is ideally suited for instrumentation and telecom equipment from hand held to desk top sizes. Available in twelve sizes and two versions.

Version #1 - Dark Gray ABS covers with Light Gray ABS end panels. UL94V-0 flammability rating, suggested service temperature -40°C to 80°C.

Version #2 - Light Gray ABS covers with Dark Gray ABS end panels. UL94-HB flammability rating, suggested service temperature -40°C to 80°C.



Design Features:

- Designed to IP 54 of IEC 529
- Two part design with tongue and groove joint between top and bottom covers and specially designed end panels
- Internal guide slots provide for vertical mounting of PCBs
- Internal bosses provided for horizontal mounting of PCBs
- Top and bottom covers are lightly textured providing a scratch-resistant high quality finish
- Four screws are countersunk in the bottom cover and threaded into internal bosses which secure the top cover and end panels; contact a Mouser Service Representative for custom modifications

MOUSER STOCK NO.	Bud Part No.	Dimensions: in.			Price Each			
		D	W	H	1	5	10	25
Version 1								
563-PI-1900	PI-1900	3.54	1.97	0.63	3.00	2.50	2.38	2.26
563-PI-1901	PI-1901	3.54	1.97	0.94	3.40	2.84	2.70	2.56
563-PI-1902	PI-1902	3.54	1.97	1.26	3.50	2.93	2.78	2.65
563-PI-1903	PI-1903	4.72	2.36	1.18	5.50	4.60	4.37	4.16
563-PI-1904	PI-1904	4.72	2.36	1.57	6.20	5.18	4.92	4.68
563-PI-1905	PI-1905	4.72	2.36	1.97	7.40	6.18	5.88	5.59
563-PI-1906	PI-1906	5.91	3.15	1.18	7.90	6.60	6.28	5.97
563-PI-1907	PI-1907	5.91	3.15	1.77	8.06	7.66	7.29	6.93
563-PI-1908	PI-1908	5.91	3.15	2.36	10.80	9.02	8.58	8.16
563-PI-1909	PI-1909	7.48	3.94	1.57	12.50	10.45	9.93	9.45
563-PI-1910	PI-1910	7.48	3.94	2.36	11.96	11.37	10.81	10.28
563-PI-1911	PI-1911	7.48	3.94	3.15	15.60	13.03	12.39	11.78
Version 2								
563-PI-1900-LG	PI-1900-LG	3.54	1.97	0.63	2.70	2.26	2.15	2.04
563-PI-1901-LG	PI-1901-LG	3.54	1.97	0.94	3.00	2.25	2.20	2.15
563-PI-1902-LG	PI-1902-LG	3.54	1.97	1.26	3.20	2.67	2.54	2.41
563-PI-1903-LG	PI-1903-LG	4.72	2.36	1.18	4.90	4.10	3.89	3.70
563-PI-1904-LG	PI-1904-LG	4.72	2.36	1.57	5.20	4.94	4.70	4.47
563-PI-1905-LG	PI-1905-LG	4.72	2.36	1.97	6.60	5.51	5.24	4.98
563-PI-1906-LG	PI-1906-LG	5.91	3.15	1.18	7.00	5.84	5.56	5.28
563-PI-1907-LG	PI-1907-LG	5.91	3.15	1.77	8.30	6.94	6.60	6.27
563-PI-1908-LG	PI-1908-LG	5.91	3.15	2.36	9.50	7.94	7.55	7.18
563-PI-1909-LG	PI-1909-LG	7.48	3.94	1.57	10.60	8.85	8.42	8.01
563-PI-1910-LG	PI-1910-LG	7.48	3.94	2.36	12.00	10.02	9.53	9.06
563-PI-1911-LG	PI-1911-LG	7.48	3.94	3.15	13.50	11.28	10.73	10.20

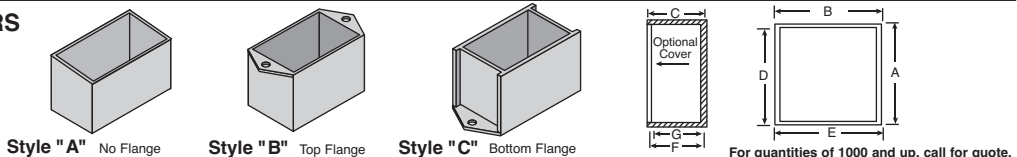
BUD POTTING BOXES AND COVERS

Available in 3 styles and a variety of sizes, these low cost enclosures are made of tough, lightweight ABS thermoplastic.

Flammability rating: UL94V-0

Suggested service temperature: 20°C to +70°C

Optional close-fitting covers are available in all sizes



For quantities of 1000 and up, call for quote.

MOUSER STOCK NO.	Bud Part No.	Dimensions: in.							Price Each				MOUSER STOCK NO.	Bud Part No.	Price Each			
		A	B	C	D	E	F	G	1	5	10	25			1	5	10	25
Style A																		
563-PB-1558	PB-1558	2.00	1.50	1.00	1.86	1.36	0.93	0.84	1.22	1.04	1.02	.995	563-PBC-1558-CN	PBC-1558-CN	1.22	1.04	1.02	.995
563-PB-1559	PB-1559	3.00	2.00	1.50	2.86	1.86	1.43	1.34	1.77	1.51	1.47	1.40	563-PBC-1575-C	PBC-1575-C	1.77	1.51	1.47	1.40
563-PB-1560	PC-1560	.79	.79	.51	.73	.73	.48	.45	.37	.31	.29	.28	563-PB-1560-C	PB-1560-C	.37	.31	.29	.28
563-PB-1561	PC-1561	1.97	.52	.59	1.87	.42	.54	.50	.46	.38	.36	.35	563-PB-1561-C	PB-1561-C	.46	.38	.36	.35
563-PB-1562	PC-1562	1.97	.97	.97	.89	.89	.93	.89	.37	.31	.29	.28	563-PB-1562-C	PB-1562-C	.37	.31	.29	.28
563-PB-1563	PC-1563	1.57	1.57	.78	1.49	1.49	.74	.70	.46	.38	.36	.35	563-PB-1563-C	PB-1563-C	.46	.38	.36	.35
563-PB-1564	PC-1564	1.80	1.20	.63	1.70	1.10	.58	.56	.46	.38	.36	.35	563-PB-1564-C	PB-1564-C	.46	.38	.36	.35
563-PB-1565	PC-1565	2.72	1.90	1.37	2.62	1.80	1.32	1.25	.58	.48	.46	.44	563-PB-1565-C	PB-1565-C	.58	.48	.46	.44
563-PB-1575	PB-1575	3.00	2.00	0.90	2.86	1.86	0.83	0.76	1.48	1.36	1.24	1.19	563-PBC-1575-C	PBC-1575-C	1.48	1.36	1.24	1.19
563-PB-1576	PB-1576	3.00	3.00	1.50	2.86	2.86	1.41	1.36	1.92	1.76	1.61	1.55	563-PBC-1576-C	PBC-1576-C	1.92	1.76	1.61	1.55
563-PB-1577	PB-1577	1.00	1.00	0.75	0.88	0.88	0.69	0.61	.71	.60	.59	.56	563-PBC-1577-C	PBC-1577-C	.71	.60	.59	.56
563-PB-1578	PB-1578	4.00	2.12	2.00	3.86	1.98	1.93	1.86	2.55	2.34	2.13	2.06	563-PBC-1578-C	PBC-1578-C	2.55	2.34	2.13	2.06
563-PB-1579	PB-1579	1.50	1.25	0.80	1.36	1.11	0.73	0.66	1.06	.90	.89	.815	563-PBC1579C	PBC-1579-C	1.06	.90	.89	.815
563-PB-1580	PB-1580	4.00	1.75	1.00	3.86	1.61	0.93	0.86	1.67	1.53	1.40	1.32	563-PBC-1580-C	PBC-1580-C	1.67	1.53	1.40	1.32
563-PB-1581	PB-1581	2.09	1.25	0.44	1.95	1.11	0.37	0.30	.89	.81	.74	.716	563-PBC-1581-C	PBC-1581-C	.89	.81	.74	.716
563-PB-1582	PB-1582	4.00	2.12	0.90	3.86	1.98	0.83	0.76	3.07	2.81	2.56	2.47	563-PBC-1578-C	PBC-1578-C	3.07	2.81	2.56	2.47
563-PB-1583	PB-1583	4.37	3.12	2.00	4.17	2.92	1.90	1.79	3.89	3.56	3.24	3.13	563-PBC-1583-C	PBC-1583-C	3.89	3.56	3.24	3.13
Style B																		
563-PB-1558-TF	PB-1558-TF	2.00	1.50	1.00	1.86	1.36	0.93	0.84	1.33	1.13	1.11	1.06	563-PBC-1558-CN	PBC-1558-CN	1.33	1.13	1.11	1.06
563-PB-1559-TF	PB-1559-TF	3.00	2.00	1.50	2.86	1.86	1.43	1.34	1.91	1.75	1.60	1.54	563-PBC-1575-C	PBC-1575-C	1.91	1.75	1.60	1.54
563-PB-1574-TF	PB-1574-TF	2.00	2.00	1.50	1.86	1.86	1.43	1.34	1.51	1.38	1.26	1.22	563-PBC-1574-C	PBC-1574-C	1.51	1.38	1.26	1.22
563-PB-1575-TF	PB-1575-TF	3.00	2.00	0.90	2.86	1.86	0.83	0.76	1.48	1.26	1.24	1.17	563-PBC-1575-C	PBC-1575-C	1.48	1.26	1.24	1.17
563-PB-1576-TF	PB-1576-TF	3.00	3.00	1.50	2.86	2.86	1.41	1.36	1.92	1.63	1.60	1.52	563-PBC-1576-C	PBC-1576-C	1.92	1.63	1.60	1.52
563-PB-1577-TF	PB-1577-TF	1.00	1.00	0.75	0.88	0.88	0.69	0.61	.71	.60	.59	.56	563-PBC-1577-C	PBC-1577-C	.71	.60	.59	.56
563-PB-1578-TF	PB-1578-TF	4.00	2.12	2.00	3.86	1.98	1.93	1.86	2.55	2.16	2.13	2.02	563-PBC-1578-C	PBC-1578-C	2.55	2.16	2.13	2.02
563-PB-1579-TF	PB-1579-TF	1.50	1.25	0.80	1.36	1.11	0.73	0.66	1.06	.90	.89	.815	563-PBC1579C	PBC-1579-C	1.06	.90	.89	.815
563-PB-1580-TF	PB-1580-TF	4.00	1.75	1.00	3.86	1.61	0.93	0.86	1.67	1.53	1.40	1.32	563-PBC-1580-C	PBC-1580-C	1.67	1.53	1.40	1.32
563-PB-1581-TF	PB-1581-TF	2.09	1.25	0.44	1.95	1.11	0.37	0.30	.89	.75	.74	.702	563-PBC-1581-C	PBC-1581-C	.89	.75	.74	.702
563-PB-1582-TF	PB-1582-TF	4.00	2.12	0.90	3.86	1.98	0.83	0.76	3.07	2.81	2.56	2.47	563-PBC-1578-C	PBC-1578-C	3.07	2.81	2.56	2.47
563-PB-1583-TF	PB-1583-TF	4.37	3.12	2.00	4.17	2.92	1.90	1.79	3.89	3.30	3.24	3.15	563-PBC-1583-C	PBC-1583-C	3.89	3.30	3.24	3.15
Style C																		
563-PB-1549-BF	PB-1549-BF	3.03	3.03	0.80	2.89	2.89	0.72	0.63	2.82	2.58	2.35	2.27	563-PBC-1576-CN	PBC-1576-CN	2.82	2.58	2.35	2.27