

# BUD NEMA Enclosures



## BUD UL/NEMA/IEC ENCLOSURES



- Designed to IP65 of IEC529 and NEMA 1, 2, 4, 4X, 12, and 13 specifications
- UL listed to UL508-4X requirements
- Suggested service temperature range: -40 to +70°C

- Clear doors are polycarbonate with UL94-V0 flammability rating
- These gasketed enclosures can be used in many wet, dirty, and/or corrosive environments
- Hardware and accessories are available

### NBA Series

- ABS/PC blended plastic with UL94-5VA flammability rating
- Stainless steel hinges and latches

For quantities of 10 and up, call for quote.

MOUSER STOCK NO.	Bud Part No.	Fig.	Door	Dimensions: in.			Price Each
				D	W	H	
563-NBA-10142	NBA-10142	A	Solid	5.90	7.90	11.80	56.80
563-NBA-10162	NBA-10162	A	Clear	5.90	7.90	11.80	63.90
563-NBA-10144	NBA-10144	A	Solid	7.10	7.90	11.80	67.30
563-NBA-10164	NBA-10164	A	Clear	7.10	7.90	11.80	75.80
563-NBA-10148	NBA-10148	A	Solid	7.10	11.80	15.80	99.20
563-NBA-10168	NBA-10168	A	Clear	7.10	11.80	15.80	106.50
563-NBA-10152	NBA-10152	A	Solid	7.87	15.75	19.68	147.60
563-NBA-10172	NBA-10172	A	Clear	7.87	15.75	19.68	148.35
563-NBA-10156	NBA-10156	A	Solid	9.06	15.75	23.61	176.60
563-NBA-10176	NBA-10176	A	Clear	9.06	15.75	23.61	177.30

### NBD Series

- Non-metallic phillips drive fasteners
- Indoor Series: ABS/PC blended plastic enclosures: molded from gray material w/ UL94-5VA flammability rating
- Outdoor Series: PC/PBT blended plastic enclosures: molded from light gray material w/ UL94-5VA flammability rating & UV stabilized

For quantities of 10 and up, call for quote.

Indoor Series							
563-NBD-10442	NBD-10442	B	Solid	5.03	7.48	11.02	44.70
563-NBD-10462	NBD-10462	B	Clear	5.03	7.48	11.02	44.70
563-NBD-10445	NBD-10445	B	Solid	7.00	7.53	15.00	67.20
563-NBD-10465	NBD-10465	B	Clear	7.00	7.53	15.00	67.20
563-NBD-10449	NBD-10449	B	Solid	5.11	11.05	13.42	64.25
563-NBD-10469	NBD-10469	B	Clear	5.11	11.05	13.42	61.10
563-NBD-10452	NBD-10452	B	Solid	7.01	11.02	14.96	85.30
563-NBD-10472	NBD-10472	B	Clear	7.01	11.02	14.96	85.30
563-NBD-10456	NBD-10456	B	Solid	7.04	14.97	22.08	145.40
563-NBD-10476	NBD-10476	B	Clear	7.04	14.97	22.08	138.50
Outdoor Series							
563-NBD-15442	NBD-15442	B	Solid	5.03	7.48	11.02	47.40
563-NBD-15445	NBD-15445	B	Solid	7.00	7.53	15.00	72.30
563-NBD-15449	NBD-15449	B	Solid	5.11	11.05	13.42	72.60
563-NBD-15452	NBD-15452	B	Solid	7.01	11.02	14.96	92.60
563-NBD-15456	NBD-15456	B	Solid	7.04	14.97	22.08	167.35

### NBB Series

- Non-metallic hinges and latches
- Indoor Series: ABS/PC blended plastic enclosures: molded light gray material w/UL94-5VA flammability rating
- Outdoor Series: PC/PBT blended plastic enclosures: molded Light Gray material w/UL94-5VA flammability rating/ UV stabilized

For quantities of 10 and up, call for quote.

Indoor Series							
563-NBB-10220	NBB-10220	C	Solid	2.75	3.94	5.11	13.31
563-NBB-10230	NBB-10230	C	Clear	2.75	3.94	5.11	14.40
563-NBB-10221	NBB-10221	C	Solid	2.75	3.94	5.90	19.40
563-NBB-10231	NBB-10231	C	Clear	2.75	3.94	5.90	19.40
563-NBB-10222	NBB-10222	C	Solid	2.75	3.94	7.87	20.60
563-NBB-10232	NBB-10232	C	Clear	2.75	3.94	7.87	20.60
563-NBB-10223	NBB-10223	C	Solid	2.75	3.94	10.63	22.70
563-NBB-10233	NBB-10233	C	Clear	2.75	3.94	10.63	22.70
563-NBB-10240	NBB-10240	C	Solid	3.57	5.90	5.90	20.20
563-NBB-10260	NBB-10260	C	Clear	3.57	5.90	5.90	23.20
563-NBB-10241	NBB-10241	C	Solid	4.33	6.79	10.73	39.70
563-NBB-10261	NBB-10261	C	Clear	4.33	6.79	10.73	41.70
563-NBB-10243	NBB-10243	C	Solid	5.50	7.47	11.28	44.00
563-NBB-10263	NBB-10263	C	Clear	5.50	7.47	11.28	48.10
563-NBB-10245	NBB-10245	C	Solid	7.04	13.00	13.00	60.80
563-NBB-10265	NBB-10265	C	Clear	7.04	13.00	13.00	66.30
563-NBB-10247	NBB-10247	C	Solid	6.30	11.73	15.68	58.40
563-NBB-10267	NBB-10267	C	Clear	6.30	11.73	15.68	67.00
563-NBB-10251	NBB-10251	C	Solid	5.90	10.55	14.52	53.80
563-NBB-10271	NBB-10271	C	Clear	5.90	10.55	14.52	53.80
563-NBB-10253	NBB-10253	C	Solid	7.85	14.64	19.17	99.80
563-NBB-10273	NBB-10273	C	Clear	7.85	14.64	19.17	108.90
563-NBB-10258	NBB-10258	C	Solid	9.87	21.03	28.91	264.35
563-NBB-10278	NBB-10278	C	Clear	9.87	21.03	28.91	288.35
Outdoor Series							
563-NBB-15240	NBB-15240	C	Solid	3.57	5.90	5.90	23.40
563-NBB-15243	NBB-15243	C	Solid	5.50	7.47	11.28	47.69
563-NBB-15245	NBB-15245	C	Solid	7.04	13.00	13.00	69.30
563-NBB-15247	NBB-15247	C	Solid	6.30	11.73	15.68	65.95
563-NBB-15253	NBB-15253	C	Solid	7.85	14.64	19.17	113.80
563-NBB-15258	NBB-15258	C	Solid	9.87	21.03	28.91	364.10

### NBE Series

- Non-metallic hinges & latches
- Aluminum swingout panel
- ABS/PC blended plastic enclosures: molded out of light gray material with UL94-5VA flammability rating

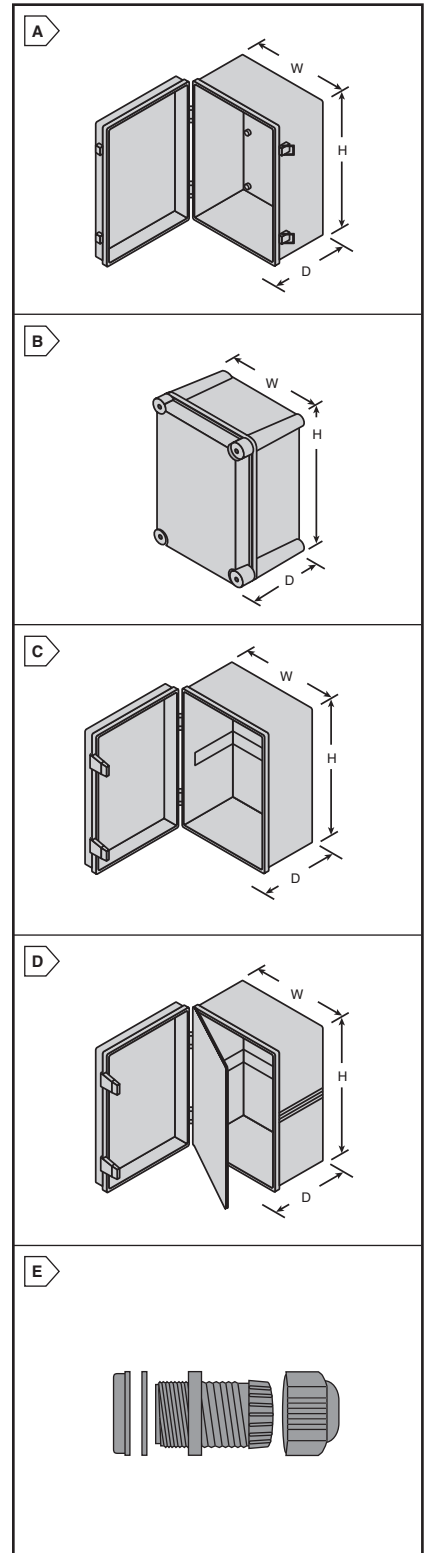
For quantities of 10 and up, call for quote.

563-NBE-10543	NBE-10543	D	Solid	5.50	7.47	11.28	69.05
563-NBE-10563	NBE-10563	D	Solid	5.50	7.47	11.28	69.05
563-NBE-10547	NBE-10547	D	Solid	6.30	11.73	15.68	86.10
563-NBE-10567	NBE-10567	D	Clear	6.30	11.73	15.68	90.45
563-NBE-10553	NBE-10553	D	Solid	7.85	14.64	19.17	130.35
563-NBE-10573	NBE-10573	D	Clear	7.85	14.64	19.17	136.85
563-NBE-10558	NBE-10558	D	Solid	9.87	21.03	28.91	357.05
563-NBE-10578	NBE-10578	D	Clear	9.87	21.03	28.91	374.90

## BUD CABLE GLANDS

Required to maintain NEMA 4X rating when cables enter or exit a NEMA 4 or 4X type enclosure. Assembly consisting of Black molded nylon body, hex nut, and cable nut and with a rubber gasket and cable seal. Nylon material has UL94V-2 flammability rating and -40°C to 100°C suggested service temperature.

MOUSER STOCK NO.	Bud Part No.	Fig.	Mounting Size	Mounting Hole Dia. (in.)	Cable Range (in.)	Price Each			
						1	5	10	25
563-NG-9511	NG-9511	E	PG-7	0.50	.12-.26	1.69	1.54	1.40	1.25
563-NG-9512	NG-9512	E	PG-9	0.61	.16-.31	1.70	1.60	1.41	1.27
563-NG-9513	NG-9513	E	PG-11	0.73	.20-.39	1.80	1.34	1.28	1.25
563-NG-9514	NG-9514	E	PG-13.5	0.81	.24-.47	2.75	2.57	2.47	2.19
563-NG-9515	NG-9515	E	PG-16	0.89	.39-.55	2.40	1.99	1.89	1.80
563-NG-9516	NG-9516	E	PG-21	1.12	.51-.71	3.20	2.65	2.52	2.40
563-NG-9517	NG-9517	E	PG-29	1.47	.71-.98	7.00	5.97	5.85	5.54



Bud

Plastic Boxes

Contact a Mouser Service Representative for a custom design solution



customize.it.